

DESCRIPTION:

PMI MODEL NUMBER DTA-1G18G-60-CD-2-OPT200M18G IS A NON-REFLECTIVE 10 BIT PROGRAMMABLE 60 dB PIN DIODE ATTENUATOR WITH STEP RESOLUTION AS LOW AS 0.06 dB OVER THE FREQUENCY RANGE OF 200 MHz TO 18.0 GHz.

SPECIFICATIONS:

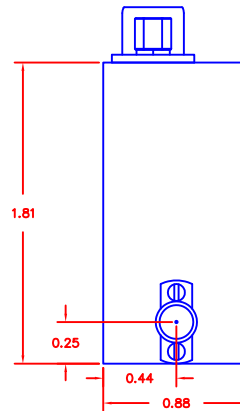
- FREQUENCY: _____ 200 MHz TO 18.0 GHz
- MEAN ATTENUATION RANGE _____ 60dB
- INSERTION LOSS _____ 4.8 dB MAX
- VSWR: _____ 2.0 :1 MAX
- FLATNESS UP TO
 - 20 dB _____ ±1.0 dB TYP
 - 40 dB _____ ±1.25 dB TYP
 - 60 dB _____ ±3.0 dB TYP
- ACCURACY OF ATTENUATION
 - 0 dB TO 20 dB _____ ±1.0 dB TYP
 - 20 dB TO 40 dB _____ ±1.5 dB TYP
 - 40 dB TO 60 dB _____ ±2.0 dB TYP
- MINIMUM ATTENUATION STEP _____ 0.06 dB
- SURVIVAL POWER: _____ 1W Average from -65C to +25C
- SWITCHING TIME
 - ON TIME _____ 1.0 uSEC MAX
 - OFF TIME _____ 0.5 uSEC MAX
- DC POWER SUPPLY _____ +15V @ 150mA MAX
 _____ -15V @ 0 mA (Not internally connected)
- CONNECTORS _____ 2 SMA & 15 PIN D-SUB
 Shipped with Mating D-SUB
- WEIGHT _____ 3.0 oz (85 gm) Approximate
- FINISH _____ PAINTED GREY
- LOGIC INPUT (TTL)
 - LOGIC "0" (BIT OFF) _____ -0.3 to +0.8V
 - LOGIC "1" (BIT ON) _____ +2.0 to +5.0V

ENVIRONMENTAL RATINGS:

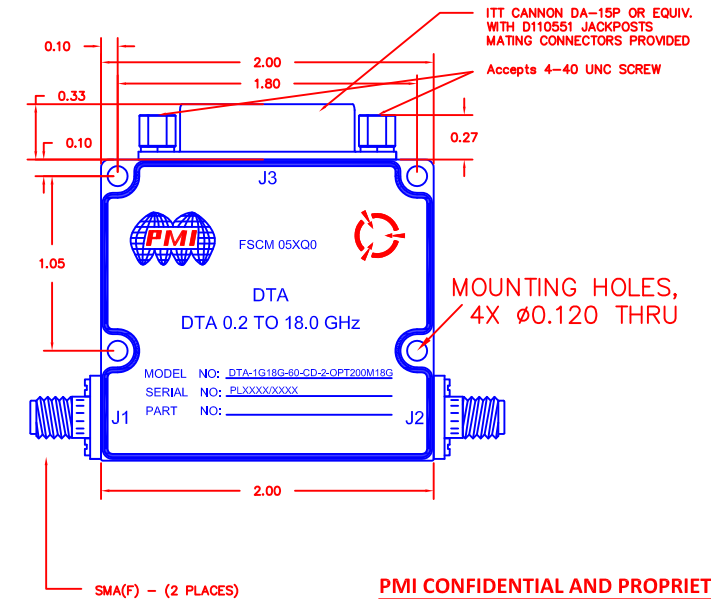
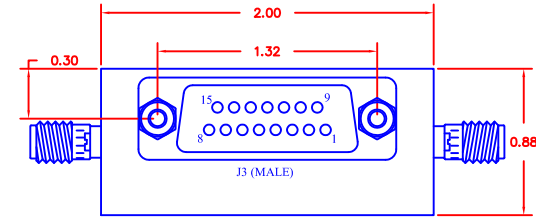
- TEMPERATURE: _____ -50°C TO +100°C (OPERATING)
 _____ -65°C TO +125°C (STORAGE)
- HUMIDITY: _____ MIL-STD-202F, METHOD 103B COND. B
- SHOCK: _____ MIL-STD-202F, METHOD 213B COND. B
- VIBRATION: _____ MIL-STD-202F, METHOD 204D COND. B
- ALTITUDE: _____ MIL-STD-202F, METHOD 105C COND. B
- TEMPERATURE CYCLE: _____ MIL-STD-202F, METHOD 107

NOTE: THE ABOVE SPECIFICATIONS ARE SUBJECT TO CHANGE OR REVISION

PIN NO:	J3 PIN FUNCTIONS
1	GND
2	Not Connected
3	0.13 dB
4	GND
5	0.25 dB
6	0.5 dB
7	1.0 dB
8	2.0 dB
9	4.0 dB
10	8.0 dB
11	16.0 dB
12	32.0 dB (MSB)
13	+V
14	- V (Not internally connected)
15	0.06 dB (LSB)



REVISIONS				
ZONE	REV.	DESCRIPTION	DATE	APPROVED
	-	PRELIMINARY	11/8/23	



PLANAR MONOLITHICS INDUSTRIES, INC.

7311-F GROVE ROAD
 FREDERICK, MARYLAND 21704 USA
 TEL: 301-662-5019 FAX: 301-662-1731
 WEBSITE: www.pmi-rf.com
 E-MAIL: sales@pmi-rf.com
 ISO 9001 CERTIFIED



APPROVALS		DATE	TITLE		
DRAWN <i>AF</i>		11/8/23	PRODUCT FEATURE		
CHECKED			DTA-1G18G-60-CD-2-OPT200M18G		
ISSUED			SIZE	FSCM NO.	DWG NO.
			A	05XQ0	PRELIMINARY
			SCALE	SHEET 1 OF 1	
			N:S		

ALL DIMENSIONS ARE IN INCHES
 TOLERANCES:
 X.XX ±0.020
 X.XXX ±0.005