



Features and Benefits

- Differential output (HCSL)
- Frequency range from 25MHz to 200MHz
- 2.5V /3.3V operation voltage
- Excellent low phase noise and jitter
- 3-state function available
- Automatic mounting and reflow soldering
- RoHS Compliant /Pb Free

Typical Applications

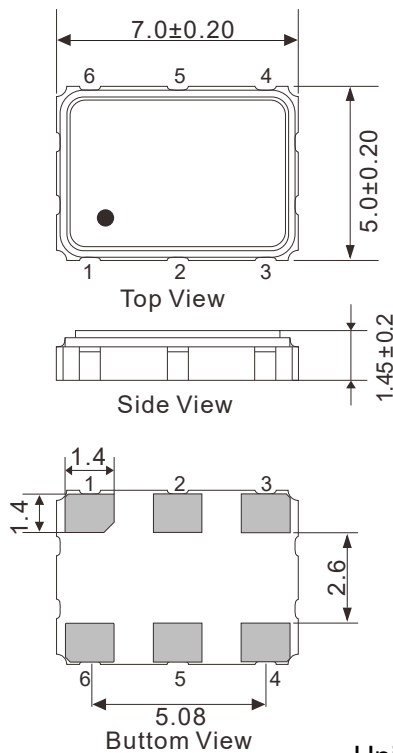
- Ethernet, Server, PC, ADC,
- Storage Area Network, SONET, etc

Description

DXO7500AL_HCSL offers frequency range from 25MHz to 200MHz, high precision and high frequency stability, allowing for high density surface mounting, ideally suited designed for use in Portable Applications.

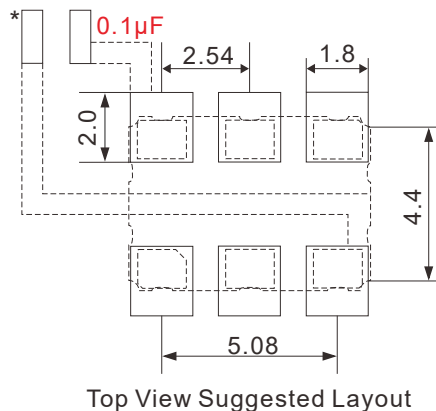
Mechanical Drawing & Pin Connections

Drawing No: A8 & \$\$\$&!



Pin	Connection
1	OE or NC
2	OE or NC
3	GND
4	Output
5	Comp. Output
6	Vcc

* External high frequency power supply decoupling required



Unit in mm
 1mm = 0.0394 inches



Dynamic Engineers Inc.

2550 Gray Falls Dr., Suite#128, Houston, TX, 77077 USA
 TEL: 1-281-870-8822 EMAIL:Sales@DynamicEng.com

8 LC+) \$\$5 @S<7 G@
 İ Ę İ Ę FĖĀ { ĀT ÖĀŌŪŠŌİˆ•cēĀŪ•&ā|æ|•ĀĀ

Specifications

Oscillator Specification	Sym	Condition	Value			Unit	Note
			Min.	Typ.	Max.		
Frequency	F		25		200	MHz	
Output			HCSL				
Rise Time / Fall Time	Tr / Tf				0.5	nsec	
Start Time					10	msec	
Output Load				50		Ohm	
Symmetry (Duty ratio)			45		55	%	
Power Supply							
Supply Voltage	V _{DD}			3.3		V	2.5V available
Supply Current					30	mA	
Voltage Vol (Max.) /Voh (Min.)			0V / 740mV			mV	
Frequency Stability							
Frequency Stability		Inclusive of frequency tolerance at 25°C, variation over temperature, supply voltage variation, aging and vibration	±25ppm, ±50ppm, or specify			ppm	
Aging		@+25°C 1st year			±3	ppm	
Phase Jitter (12KHz~20MHz)					1	pS	
Phase Noise (156.25MHz) at 1KHz				-120		dBc/Hz	
Environmental Conditions							
Operating temperature range		-40°C to +85°C					
Storage temperature range		-55°C to +125°C					

Dynamic Engineers reserves the right to make changes to the company datasheet(s) along with other information contained inside; such as data tables and graphs without notification to potential customers who may have earlier revisions in their possession.