



Features and Benefits

- Differential output Crystal Oscillator (LVDS)
- Frequency range from 10MHz to 1500MHz
- 2.5V /3.3V operation voltage
- Excellent low phase noise and jitter
- 3-state function available
- Automatic mounting and reflow soldering
- RoHS Compliant /Pb Free

Typical Applications

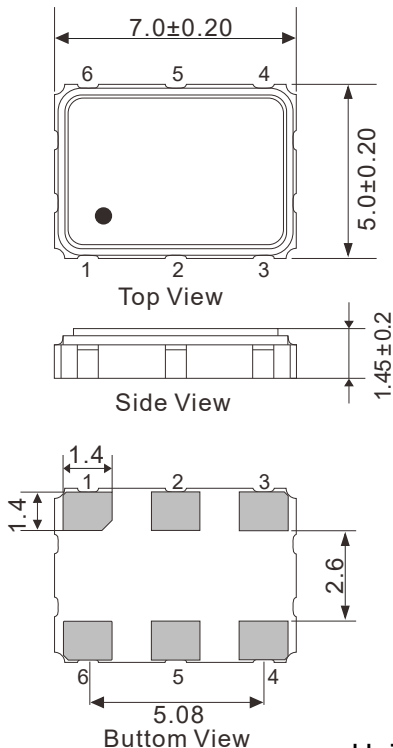
- Ethernet, Server, PC, ADC,
- Storage Area Network, SONET, etc

Description

DXO7500AL_LVDS offers frequency range from 10MHz to 1500MHz, high precision and high frequency stability, allowing for high density surface mounting, ideally suited designed for use in Portable Applications.

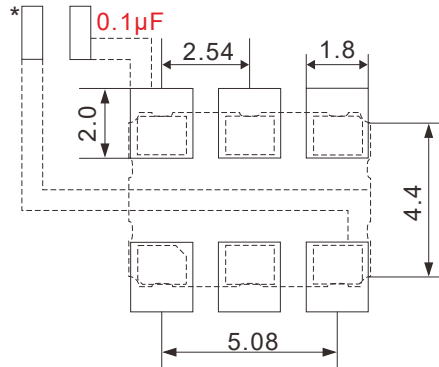
Mechanical Drawing & Pin Connections

Drawing No: A8888888%



Pin	Connection
1	OE or NC
2	OE or NC
3	GND
4	Output
5	Comp. Output
6	Vcc

* External high frequency power supply decoupling required



Unit in mm
 1mm = 0.0394 inches



Specifications

Oscillator Specification	Sym	Condition	Value			Unit	Note
			Min.	Typ.	Max.		
Frequency Range			10		1500	MHz	
Output			LVDS				
Rise Time / Fall Time	Tr / Tf				1	nsec	
Start Time					10	msec	
Output Load				100		Ohm	
Symmetry (Duty ratio)			45		55	%	
Power Supply							
Supply Voltage	V _{DD}			3.3		V	2.5V available
Supply Current					65	mA	
Voltage Vol (Max.) /Voh (Min.)			0.9V / 1.6V				
Frequency Stability							
Frequency Stability		Inclusive of frequency tolerance at 25°C, variation over temperature, supply voltage variation, aging and vibration	±25ppm, ±50ppm, or specify			ppm	
Aging		@+25°C 1st year			±3	ppm	
Phase Jitter (12KHz~20MHz)					1	ps	
Phase Noise (156.25MHz) at 1KHz				-113		dBc/Hz	
Environmental Conditions							
Operating temperature range		-40°C to +85°C					
Storage temperature range		-55°C to +125°C					