

Hybrid Wet Tantalum

Capacitor Banks



- Assemblies available with 2 to 18 (or more) internal capacitors
- Typical voltages range from 10VDC to 800VDC. Higher voltage options available
- Configurable to a wide range of capacitance values
- Temperature range of -55 °C to +200 °C (with voltage derating at high temperature)
- Ideal for high shock and vibration environments
- Standard tolerance ±20% (±10% available)

Product Overview

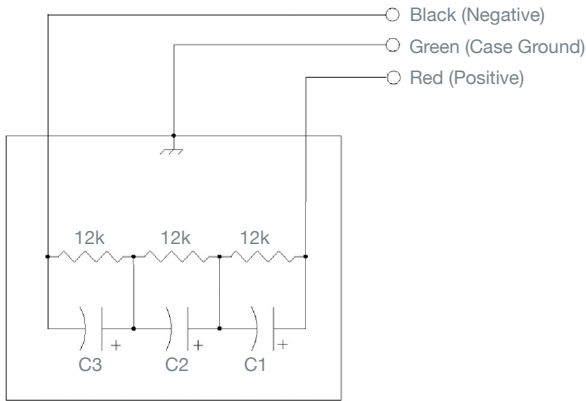
Evans capacitor bank assemblies are available 2 to 18 (or more) internal capacitors. The internal capacitors utilize sintered tantalum anodes and ruthenium oxide coated cathodes operating in aqueous electrolyte. Capacitor banks consist of any Evans capacitor part number, which is then assembled and potted in an aluminum housing with a screw-attached cover. All required bleed and/or discharge resistors are included.

Electrical	Physical
<p>Typical Voltage Range 10VDC to 800VDC Higher voltage options available</p> <p>Capacitance Range Wide range of capacitance values configurable based on capacitor selection</p> <p>Life (@ 85°C) Contact Factory for Informtaion</p>	<p>Solderability To ANSI J-STD-002</p> <p>Operating Temperature Range -55°C to +200°C</p> <p>Storage Temperature Range -62°C to +200°C</p>

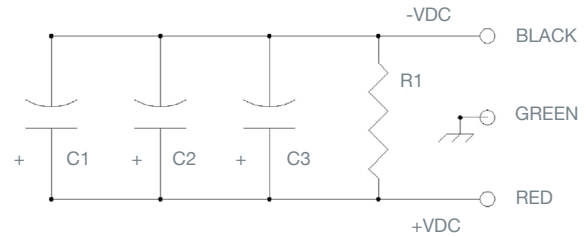
Shock and Vibration Section

Standard Evans capacitor banks are designed to withstand high shock and vibration environments. Ruggedized options are available to meet each application's unique requirements.

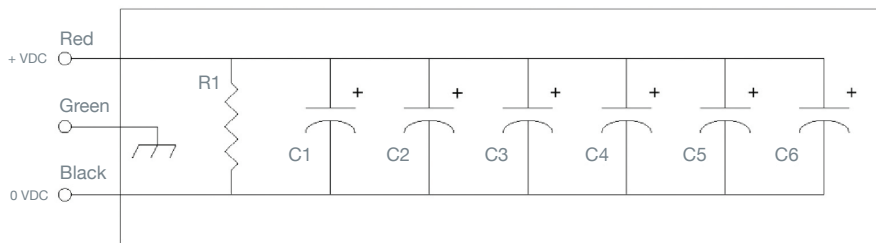
Typical 3x Capacitor Bank Wiring Schematic (Series)



Typical 3x Capacitor Bank Wiring Schematic (parallel)

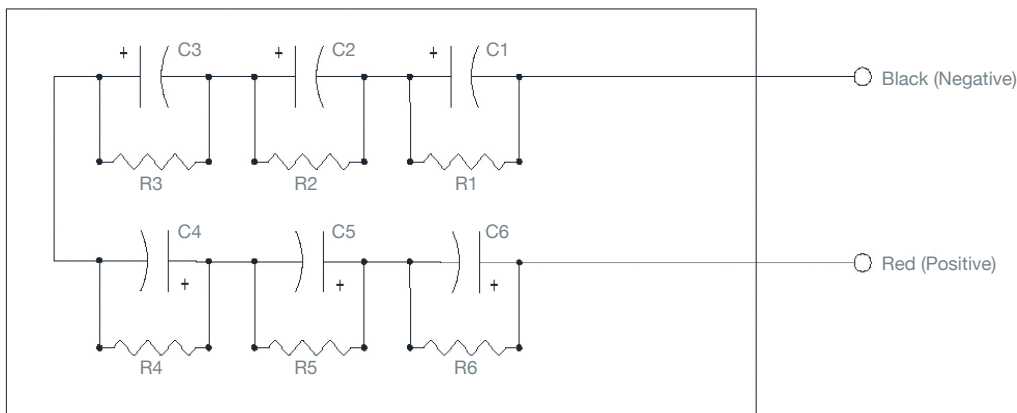


Typical 6x Capacitor Bank Wiring Schematic (Parallel)

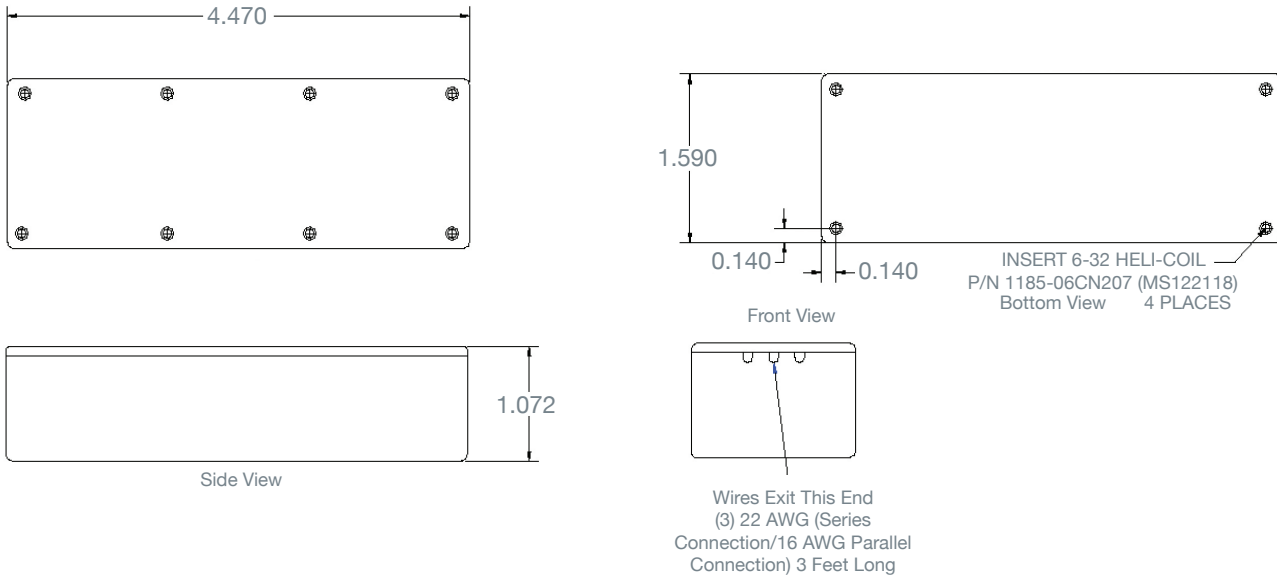


C1 - C6: P/N THQ3 series capacitors
 R1: 2K ohm, 2W

Typical 6x Capacitor Bank Wiring Schematic (series)



2D Drawing Typical 3x Capacitor Bank



2D Drawing Typical 6x Capacitor Bank

