

**DESCRIPTION:**

PLANAR MONOLITHICS INDUSTRIES MODEL NUMBER LM-218-14-200W-SMF-HERM IS A HIGH POWER LIMITER THAT WORKS FROM 2 GHz TO 18 GHz THAT HANDLES 200 WATTS PEAK POWER WITH A PULSE WIDTH OF 1uSEC AND 0.1% DUTY CYCLE OR 1 WATT CW. THIS MODEL IS HERMETICALLY SEALED.

**SPECIFICATIONS:**

- FREQUENCY:..... 2 TO 18 GHz
- INSERTION LOSS:..... 2.0 dB MAXIMUM @ Pin=-10dBm
- PEAK POWER:..... 200 WATTS, 1uSEC and 0.1% Duty Cycle
- AVERAGE POWER:..... 1 Watt CW
- VSWR: ..... 2.0:1 MAXIMUM
- LEAKAGE LEVEL:..... +14dBm MAXIMUM @ 1 Watt CW
- LOW LIMITING THRESHOLD: +6dBm TYPICAL
- RECOVERY TIME: 100nsec MAXIMUM @ Pin=27dBm
- CONNECTORS..... SMA MALE / SMA FEMALE
- SIZE:..... 0.75 X 1.00 X .300 (H)
- WEIGHT:..... 1.5 OZ. TYPICAL
- SEALING:..... HERMETIC
- FINISH:..... GRAY EPOXY POLIMIDE COATING IAW MIL-C-22750, TYPE I OVER EPOXY POLIMIDE PRIMER IAW MIL-P-23377, TYPE I, CLASS 1 OR 3.

**ENVIRONMENTAL RATINGS**

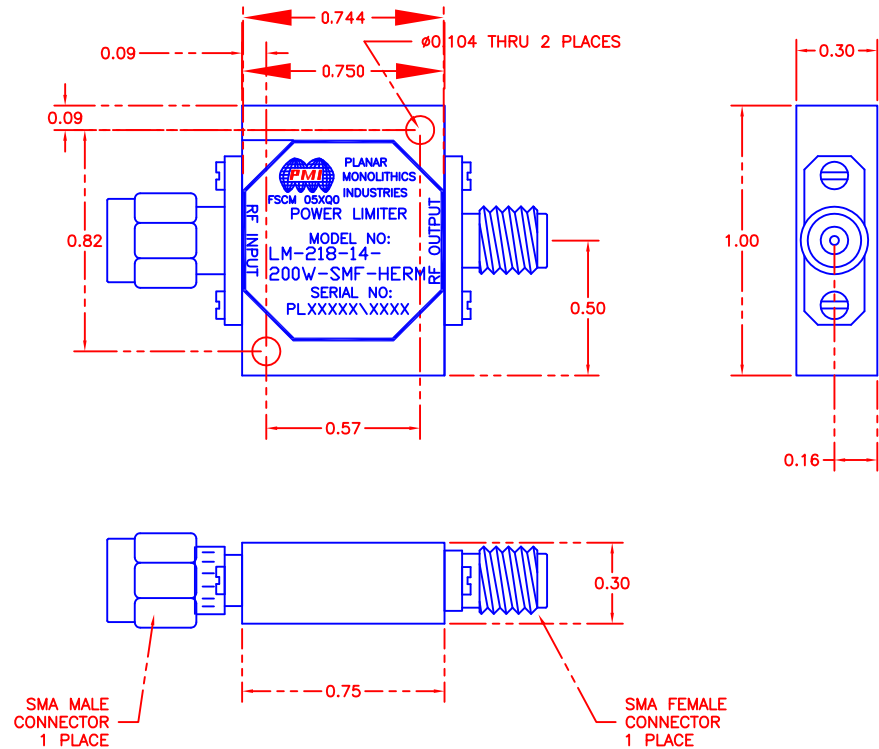
- TEMPERATURE:..... -55°C TO +125°C (OPERATING) - NOTE 1  
-65°C TO +125°C (STORAGE)
- THERMAL SHOCK ..... MIL-STD-202F, METHOD 107D COND. A
- HUMIDITY:..... MIL-STD-202F, METHOD 103B COND. B
- SALT SPRAY: ..... MIL-STD-202F, METHOD 101D+EST, COND. B
- VIBRATION: ..... MIL-STD-202F, METHOD 204D COND. B
- SHOCK: ..... MIL-STD-202F, METHOD 213B COND. C
- FUNGUS: ..... MIL-STD-810F, METHOD 508.5

NOTE 1: Power Handling capability derated by 20% @ +125°C

DESIGNED TO MEET ALL ENVIRONMENTAL CONDITIONS. ACTUAL TESTING AVAILABLE FOR AN ADDITIONAL CHARGE.  
NOTE: THE ABOVE SPECIFICATIONS ARE SUBJECT TO CHANGE OR REVISION


ALL DIMENSIONS ARE IN INCHES  
TOLERANCES:  
X.XX ±0.020  
X.XXX ±0.010

REVISIONS				
ZONE	REV.	DESCRIPTION	DATE	APPROVED
	A1	ORIGINAL RELEASE	10/14/10	
	A2	ECN #14-0094	06/26/14	



M/N = MANUFACTURER PART NUMBER  
O/N = OPTION NUMBER  
S/N = SERIAL NUMBER

PMI CONFIDENTIAL AND PROPRIETARY

PART NO.		 <b>PLANAR MONOLITHICS INDUSTRIES FREDERICK, MARYLAND</b>		
APPROVALS	DATE	TITLE		
DRAWN <i>K.M.</i>	8/12/10	PRODUCT FEATURE LM-218-14-200W-SMF-HERM HIGH POWER LIMITER		
CHECKED		SIZE	FSCM NO.	DWG NO.
ISSUED		A	05XQ0	27013526
		SCALE	N:S	SHEET 1 of 1
				REV. A2