

DESCRIPTION

PMI MODEL: LNA-35-1G4G-SFF IS A LOW NOISE AMPLIFIER OPERATING OVER THE 1000 TO 4000 MHz FREQUENCY RANGE. THIS MODEL OFFERS A TYPICAL GAIN OF 35 dB WHILE MAINTAINING A MAXIMUM NOISE FIGURE OF 1.2 dB. THIS COMPACT MODEL IS OUTFITTED WITH FEMALE SMA CONNECTORS.

SPECIFICATIONS

- FREQUENCY RANGE: ----- 1000 TO 4000 MHz
- GAIN: ----- 35 dB TYPICAL
- GAIN FLATNESS: ----- ± 1.5 dB TYPICAL
- P1dB: ----- +20 dBm TYPICAL
- IP3: ----- +34 dBm TYPICAL
- NOISE FIGURE: ----- 1.0 dB TYPICAL, 1.2 dB MAXIMUM
- REVERSE ISOLATION: ----- -50 dB TYPICAL
- VSWR IN/OUT: ----- 3.0:1/1.7:1 TYPICAL
- DC SUPPLY: ----- +9 to +15 V
- SUPPLY CURRENT: ----- 145 mA TYPICAL
- CONNECTORS: ----- SMA FEMALE
- SIZE: ----- 31.75 mm x 31.75 mm x 14.30 mm
1.25" x 1.25" x 0.563"
- FINISH: ----- BLUE PAINT

ENVIRONMENTAL RATINGS

- TEMPERATURE: ----- -40 °C TO +85 °C (OPERATING)
-55 °C TO +125 °C (STORAGE)
- HUMIDITY: ----- MIL-STD-202, METHOD 103B COND. B
- SHOCK: ----- MIL-STD-202, METHOD 213B COND. B
- VIBRATION: ----- MIL-STD-202, METHOD 204D COND. B
- ALTITUDE: ----- MIL-STD-202, METHOD 105C COND. B
- TEMPERATURE CYCLE: ----- MIL-STD-202, METHOD 107D COND. A

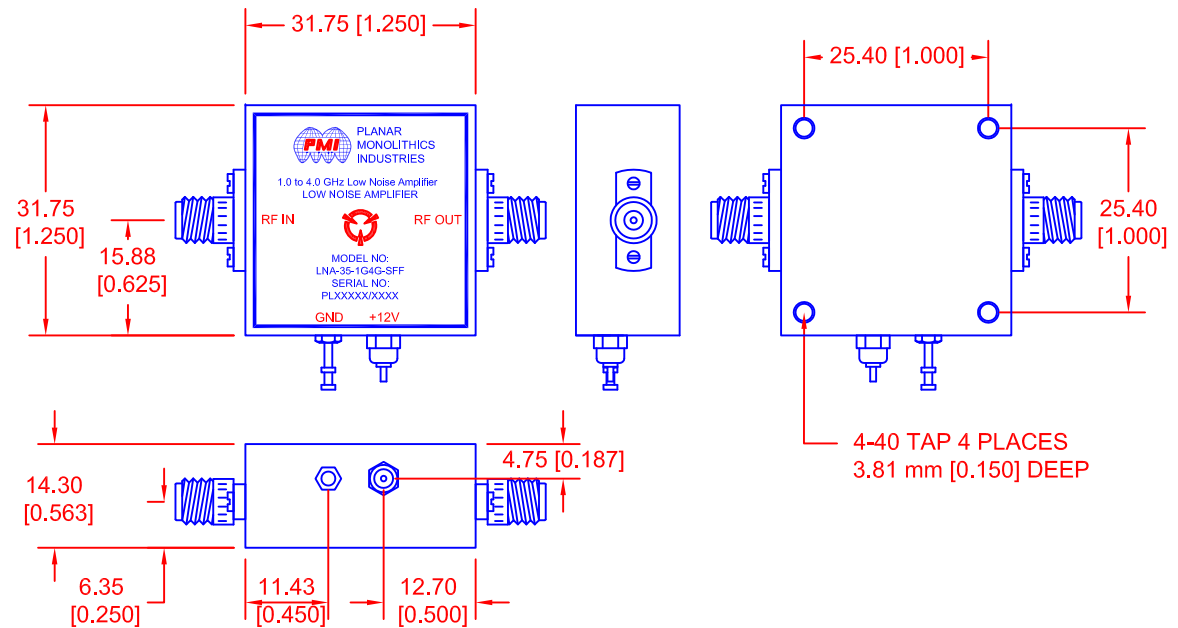
NOTE: SPECIFICATIONS WILL VARY OVER OPERATING TEMPERATURE

NOTE: THE ABOVE SPECIFICATIONS ARE SUBJECT TO CHANGE OR REVISION

PMI CONFIDENTIAL AND PROPRIETARY

REVISIONS				
ZONE	REV.	DESCRIPTION	DATE	APPROVED
	-	PRELIMINARY	1/12/22	

MECHANICAL OUTLINE



PLANAR MONOLITHICS INDUSTRIES, INC.
7311-F GROVE ROAD
FREDERICK, MARYLAND 21704 USA
TEL: (301)-662-5019, FAX: (301)-662-1731
WEB: www.pmi-rf.com, EMAIL: sales@pmi-rf.com
ISO 9001 CERTIFIED



APPROVALS		DATE	TITLE		
DRAWN <i>AG</i>		1/12/22	PRODUCT FEATURE LNA-35-1G4G-SFF 1.0 to 4.0 GHz Low Noise Amplifier		
CHECKED			SIZE A	FSCM NO. 05XQ0	DWG NO. PRELIMINARY
ISSUED			SCALE N:S	SHEET 1 OF 1	REV. -