

## DESCRIPTION

PMI MODEL: LNA-36-50M1G-1-22-SFF IS A LOW NOISE AMPLIFIER OPERATING OVER THE 50 TO 1000 MHz FREQUENCY RANGE. THIS MODEL OFFERS A TYPICAL GAIN OF 36 dB WHILE MAINTAINING A MAXIMUM NOISE FIGURE OF 1.2 dB. THIS COMPACT MODEL IS OUTFITTED WITH FEMALE SMA CONNECTORS.

## SPECIFICATIONS

- FREQUENCY RANGE: ----- 50 TO 1000 MHz
- GAIN: ----- 36 dB TYPICAL
- GAIN FLATNESS: ----- ±1.0 dB TYPICAL
- RF INPUT POWER: ----- +27 dBm MAXIMUM
- P1dB: ----- +22 dBm TYPICAL
- IP3: ----- +38 dBm TYPICAL
- NOISE FIGURE: ----- 1.0 dB TYPICAL
- REVERSE ISOLATION: ----- -44 dB TYPICAL
- VSWR IN/OUT: ----- 1.6:1 TYPICAL
- DC SUPPLY: ----- +12 V TYPICAL
- CONNECTORS: ----- SMA FEMALE
- SIZE: ----- 31.75 mm x 31.75 mm x 14.30 mm  
1.25" x 1.25" x 0.563"
- FINISH: ----- BLUE PAINT

## ENVIRONMENTAL RATINGS

- TEMPERATURE: ----- -40 °C TO +85 °C (OPERATING)  
-55 °C TO +125 °C (STORAGE)
- HUMIDITY: ----- MIL-STD-202, METHOD 103B COND. B
- SHOCK: ----- MIL-STD-202, METHOD 213B COND. B
- VIBRATION: ----- MIL-STD-202, METHOD 204D COND. B
- ALTITUDE: ----- MIL-STD-202, METHOD 105C COND. B
- TEMPERATURE CYCLE: ----- MIL-STD-202, METHOD 107D COND. A

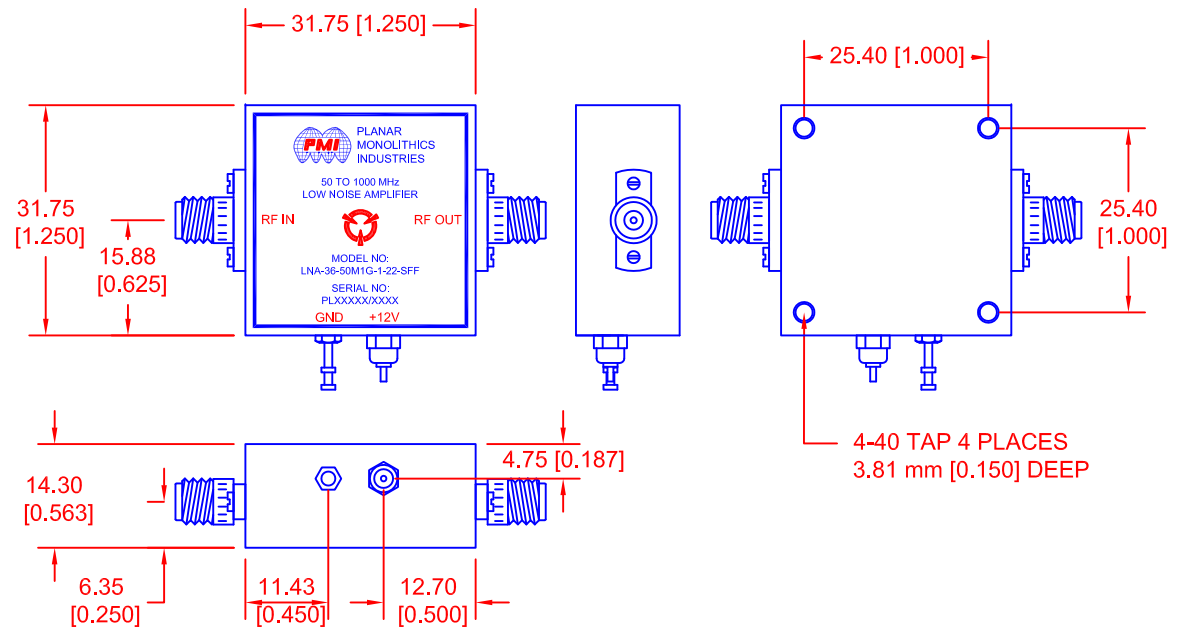
NOTE: SPECIFICATIONS WILL VARY OVER OPERATING TEMPERATURE

NOTE: THE ABOVE SPECIFICATIONS ARE SUBJECT TO CHANGE OR REVISION

**PMI CONFIDENTIAL AND PROPRIETARY**

REVISIONS				
ZONE	REV.	DESCRIPTION	DATE	APPROVED
	-	PRELIMINARY	9/26/22	

## MECHANICAL OUTLINE



**PLANAR MONOLITHICS INDUSTRIES, INC.**  
 7311-F GROVE ROAD  
 FREDERICK, MARYLAND 21704 USA  
 TEL: (301)-662-5019, FAX: (301)-662-1731  
 WEB: www.pmi-rf.com, EMAIL: sales@pmi-rf.com  
 ISO 9001 CERTIFIED



APPROVALS		DATE	TITLE		
DRAWN <i>AG</i>		9/26/22	PRODUCT FEATURE LNA-36-50M1G-1-22-SFF 50 to 1000 MHz Low Noise Amplifier		
CHECKED			SIZE A	FSCM NO. 05XQ0	DWG NO. PRELIMINARY
ISSUED			SCALE N:S	SHEET 1 OF 1	REV. -

ALL DIMENSIONS  
ARE IN mm [INCH]  
TOLERANCES:  
X.XX ± 0.508 [0.020]  
X.XXX ± 0.254 [0.010]