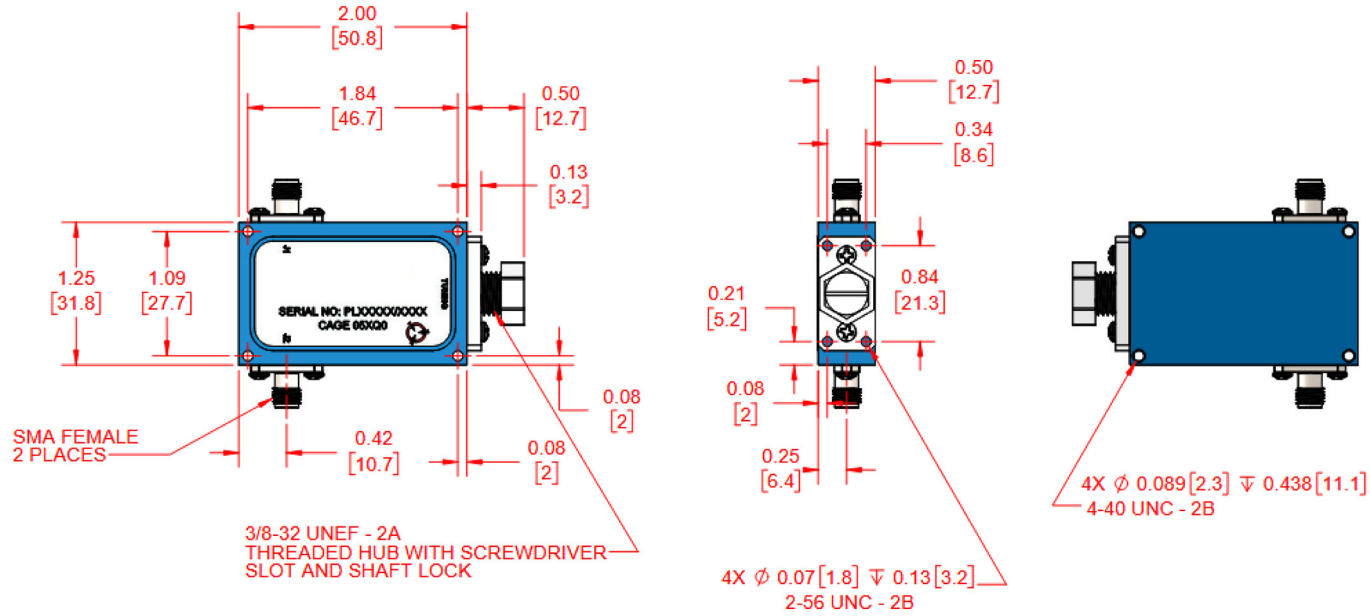


DESCRIPTION:

PMI MODEL NUMBER MA-8G18G-40DB-SFF IS A 8 TO 18 GHz MECHANICAL ATTENUATOR FEATURING 40 dB ATTENUATION RANGE, 0.5 dB INSERTION LOSS, AND 3 KW MAX PEAK POWER HANDLING.

REVISIONS				
ZONE	REV.	DESCRIPTION	DATE	APPROVED
	-	PRELIMINARY	03/09/26	



SPECIFICATIONS:

- FREQUENCY: 8 TO 18 GHz
- ATTENUATION RANGE: 40 dB
- INSERTION LOSS: 0.5 dB MAX
- VSWR: 1.5:1 MAX
- ADJUSTMENT METHOD: SCREWDRIVER AND SHAFT LOCK
- POWER HANDLING: 5 W CW MAX
3 KW PEAK MAX
- RF CONNECTORS: SMA FEMALE
- FINISH: PAINTED BLUE

ENVIRONMENTAL RATINGS

- TEMPERATURE: -40°C TO +85°C (OPERATING)

NOTE: SPECIFICATIONS WILL VARY OVER OPERATING TEMPERATURE
NOTE: THE ABOVE SPECIFICATIONS ARE SUBJECT TO CHANGE OR REVISION

ALL DIMENSIONS ARE IN INCHES
TOLERANCES:
X.XX \pm 0.020
X.XXX \pm 0.010
WEIGHT: 2.75 oz.

PMI CONFIDENTIAL AND PROPRIETARY

PLANAR MONOLITHICS INDUSTRIES, INC.

7309-A GROVE ROAD
FREDERICK, MARYLAND 21704 USA
TEL: 301-662-5019 FAX: 301-662-1731
WEBSITE: www.pmi-rf.com
E-MAIL: sales@pmi-rf.com
ISO 9001 CERTIFIED



APPROVALS		DATE	TITLE			
DRAWN AG		03/09/26	PRODUCT FEATURE MA-8G18G-40DB-SFF			
CHECKED			SIZE A	FSCM NO. 05XQ0	DWG NO.	REV. -
ISSUED			PRELIMINARY			
			SCALE N:S	SHEET 1 OF 1		