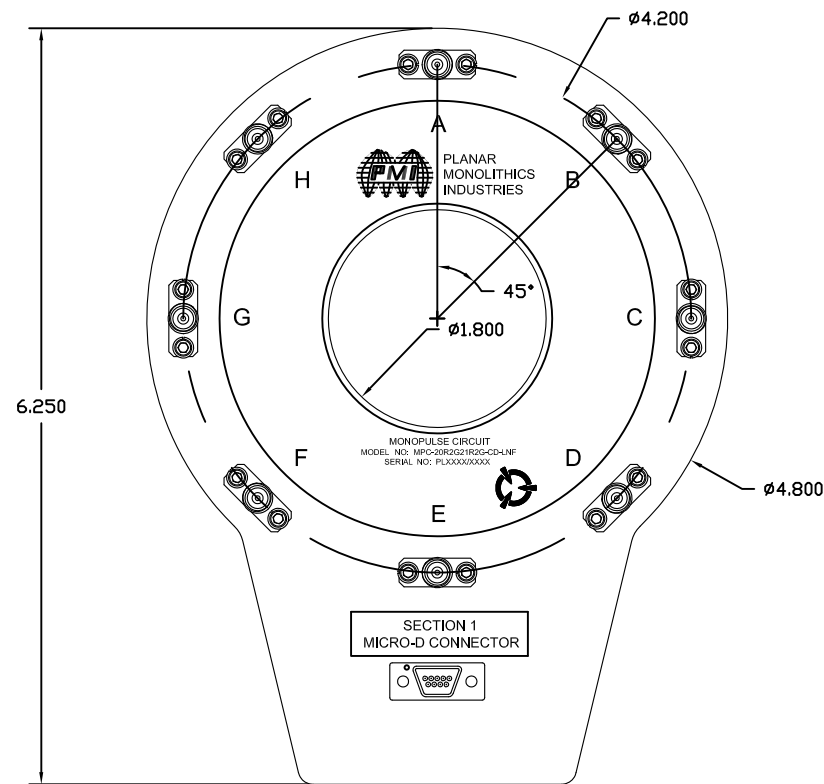
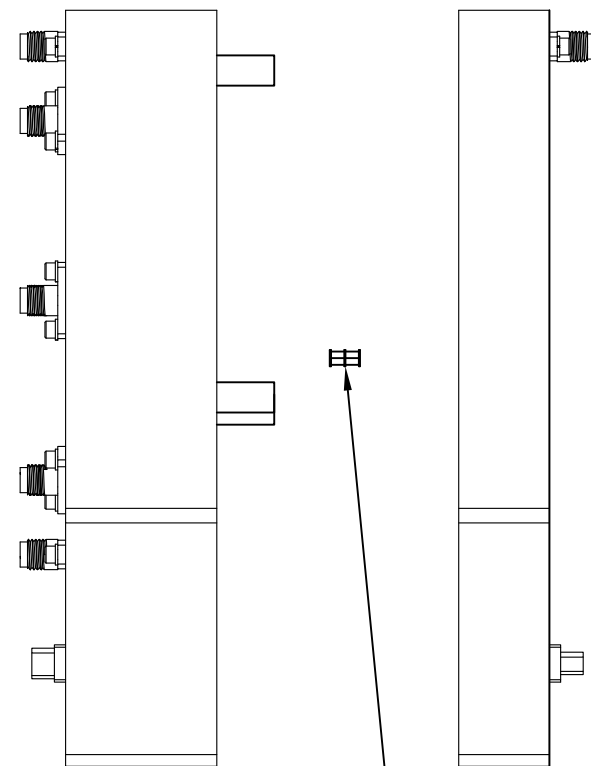


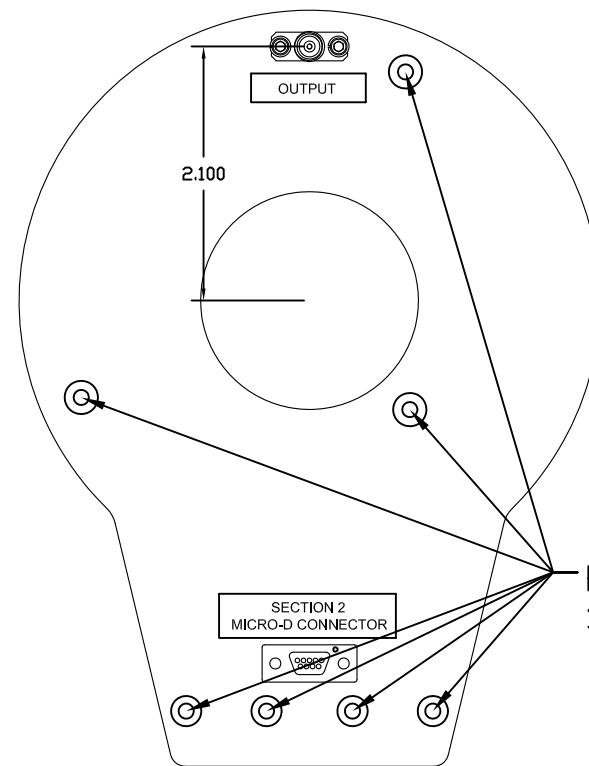
REVISIONS				
ZONE	REV.	DESCRIPTION	DATE	APPROVED
	A	ORIGINAL RELEASE	2/23/11	



SECTION 1



INTERCONNECT, 2 PLACES



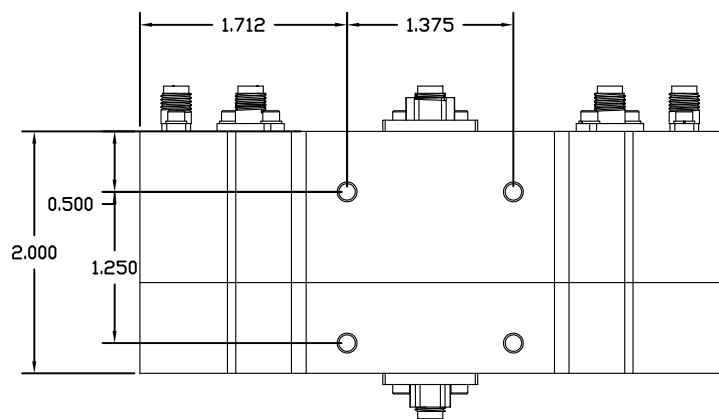
SECTION 2

REMOVE SCREWS TO DISCONNECT SECTION 1 FROM SECTION 2.

- SECTION 2:
FEMALE MICRO-D
CONNECTOR PINOUT
- 1: +12 VDC
 - 2: GND
 - 3: -12 VDC
 - 4: GND
 - 5: SWITCH TTL
 - 6: N/C
 - 7: N/C
 - 8: N/C
 - 9: N/C

TTL 0: PORT 2 OUTPUT
TTL 1: PORT 1 OUTPUT

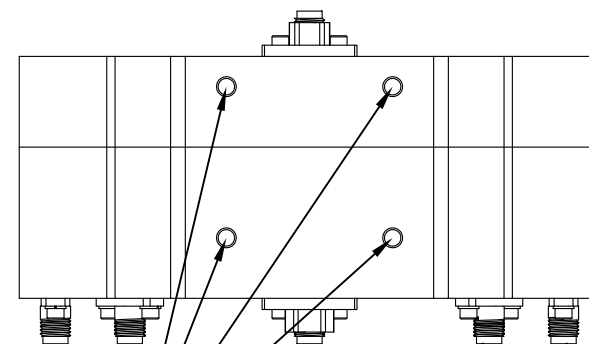
SECTION 2 DRAWS 30 mA
TYPICAL ON +12V,
60 mA TYPICAL ON -12V



SECTION 1:
MALE MICRO-D CONNECTOR
PINOUT

- 1: +12 VDC (AMP A)
- 2: +12 VDC (AMP B)
- 3: +12 VDC (AMP C)
- 4: +12 VDC (AMP D)
- 5: +12 VDC (AMP E)
- 6: +12 VDC (AMP F)
- 7: +12 VDC (AMP G)
- 8: +12 VDC (AMP H)
- 9: GND

SECTION 1 DRAWS 600 mA
TYPICAL ON +12V



ROUTING HOLES
8-32 UNC
TAPPED 0.400 MIN.

FINISH: GREY PAINT
WEIGHT: 3.25 POUNDS

UNLESS OTHERWISE SPECIFIED DIMENSIONS ARE IN INCHES TOLERANCES ARE: FRACTIONS .XX ± 0.010 DECIMALS .XXX ± 0.005 ANGLES ±		PART NO.		PLANAR MONOLITHICS INDUSTRIES FREDERICK, MARYLAND	
MATERIAL:		APPROVALS	DATE	TITLE	
FINISH:		J. PALABJO 2/23/11		OUTLINE	
NEXT ASSY		ISSUED		MPC-20R2G21R2G-CD-LNF	
USED ON		SCALE N/S		SIZE B	FSCM NO. 27012781
APPLICATION		DO NOT SCALE DRAWING		DWG NO. 27012781	REV. A
				SHEET 1 OF 1	