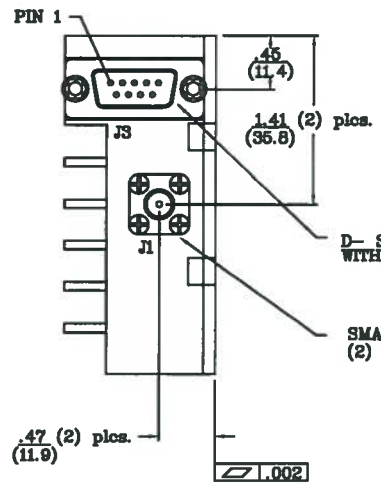
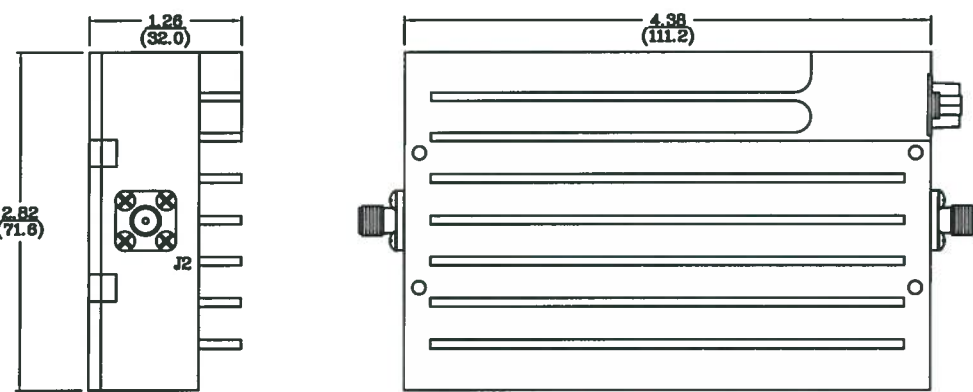


OL-000982-XXX

REVISIONS		
REV.	DESCRIPTION	DATE
F	REVISED PER ECO 2451 SY	971009
G	REVISED PER ECO 2451 MR	010705
H	REVISED PER ECO 4071 SY	1/28/16

MICROWAVE SOLUTIONS INC. PROPRIETARY AND PRIVATE THE INFORMATION CONTAINED IN THIS DOCUMENT OR ITEM IS THE PROPERTY OF MICROWAVE SOLUTIONS INC. (MSI) AND SHALL BE KEPT IN STRICT CONFIDENCE EXCEPT WITH WRITTEN PERMISSION OF MSI.



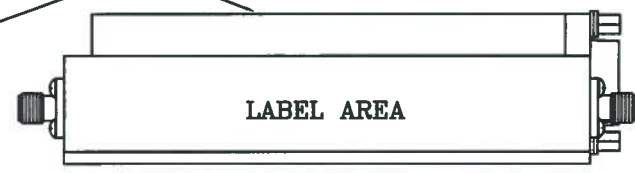
D- SUBMINIATURE CONNECTOR WITH JACKPOSTS

SMA FEMALE (2) Pcs.

J1 - INPUT
J2 - OUTPUT

TTL CNTL (J3 PIN 6)	
PIN & VOLTAGE	AMPLIFIER
TTL "0" OR GND	STANDBY
TTL "1" OR OPEN	OPERATE

TOP VIEW HEATSINK FLANGES



-001 J3

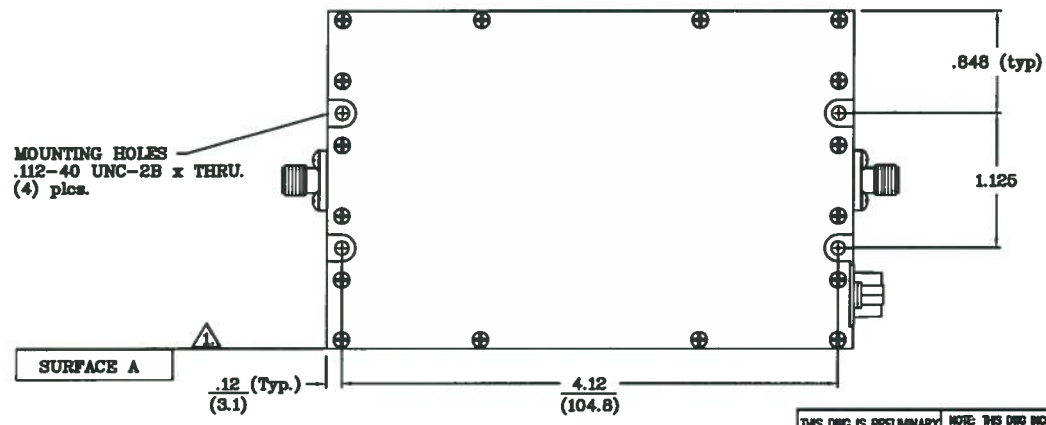
POWER CONNECTOR TERMINAL ASSIGNMENT			
PIN	FUNCTION	PIN	FUNCTION
1	+15 VDC	6	TTL CNTL
2	N/C	7	N/C
3	GND	8	N/C
4	N/C	9	N/C
5	GND		

-002 J3

POWER CONNECTOR TERMINAL ASSIGNMENT			
PIN	FUNCTION	PIN	FUNCTION
1	+15 VDC	6	TTL CNTL
2	-15 VDC	7	N/C
3	GND	8	N/C
4	N/C	9	N/C
5	GND		

-003 J3

POWER CONNECTOR TERMINAL ASSIGNMENT			
PIN	FUNCTION	PIN	FUNCTION
1	+12 VDC	6	TTL CNTL
2	N/C	7	N/C
3	GND	8	N/C
4	N/C	9	N/C
5	GND		



MOUNTING HOLES .112-40 UNC-2B x THRU. (4) pcs.

SURFACE A

RELEASED
FEB 03 2016

ESD marking shall be placed on surface A.

NOTES:

THIS DWG IS PRELIMINARY UNLESS STAMPED RELEASED	NOTE: THIS DWG INCORPORATES THIRD ANGLE PROJECTION	UNLESS OTHERWISE SPECIFIED DIMENSIONS ARE IN INCHES TOLERANCES ARE: FRACTIONS DECIMALS ANGLES ±1/64 .001-.010 ±1/2° NATIONAL: 0001-TO AL-ALLOY FINISH: 32 DO NOT SCALE DRAWING	DESIGNED: MANUEL ROSAS 010705 CHECKED: S. YOUNG 010705 DATE: Llc 1/23/16 DRAWN BY: P. Fonseca 2-3-16	 microwave solutions inc. NATIONAL CITY CALIFORNIA OUTLINE DRAWING DC-3000 MHz, HPA SIZE: B FSCM NO. 65151 DWG NO. OL-000982-XXX REV. H SCALE: FULL SHEET 1 OF 1
NEXT ASSY	USED ON	DO NOT SCALE DRAWING	OL1882-XXX_H	