

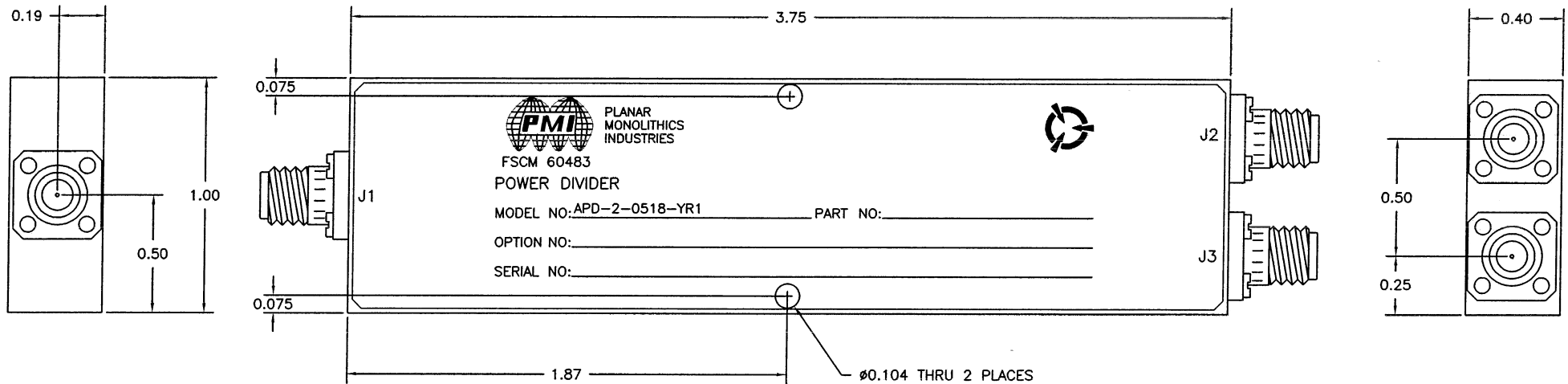
DESCRIPTION

PMI MODEL APD-2-0518-YR1 IS A TWO WAY POWER DIVIDER FEATURING HIGH ISOLATION, LOW INSERTION LOSS, AND LOW VSWR. IT IS DESIGNED FOR BROADBAND USE AND HIGH RELIABILITY.

REVISIONS				
ZONE	REV.	DESCRIPTION	DATE	APPROVED
-		ORIGINAL RELEASE JOB# P411048E	4/5/05	

PRELIMINARY

MECHANICAL OUTLINE



PLANAR MONOLITHICS INDUSTRIES, INC.

7311-G GROVE ROAD
 FREDERICK, MARYLAND 21704 USA
 TEL: 301-631-1579 FAX: 301-662-2029
 WEBSITE: www.planarmonolithicsindustries.com
 E-MAIL: sales@planarmonolithics.com
 ISO 9001:2000 CERTIFIED



ALL DIMENSIONS ARE IN INCHES
 TOLERANCES:
 X.XX ±0.020
 X.XXX ±0.010

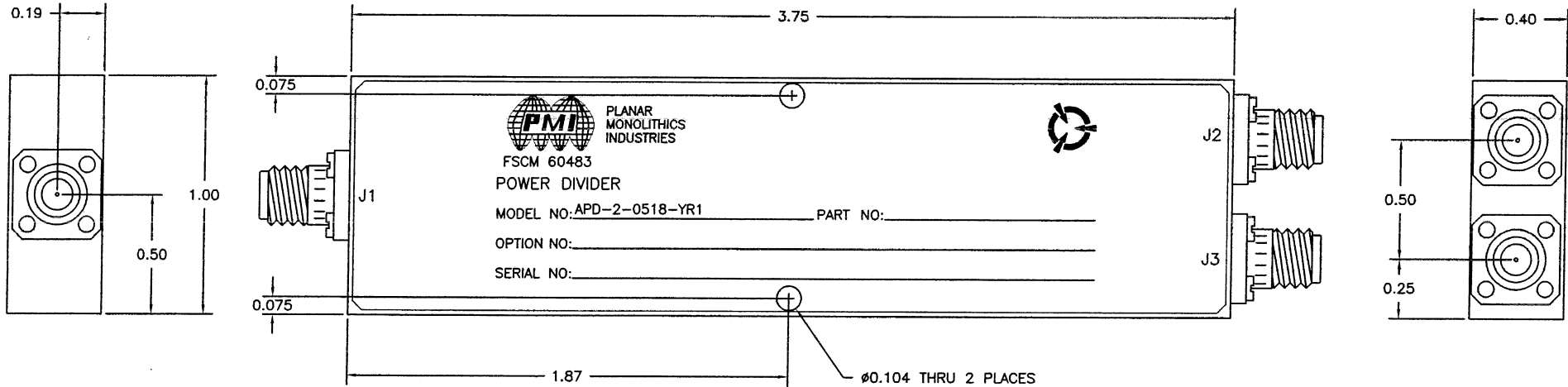
APPROVALS		DATE	TITLE			REV.
DRAWN	JCM	4/5/05	MECHANICAL OUTLINE			
CHECKED	YR	4/26/05	APD-2-0518-YR1			
ISSUED	JK	4/26/05	0.5 - 18 GHz 2 WAY POWER DIVIDER			
SIZE	FSCM NO.	DWG NO.	SCALE	N/S	SHEET	2 OF 3
A	OZXZ8	100-7409				

DESCRIPTION

PMI MODEL APD-2-0518-YR1 IS A TWO WAY POWER DIVIDER FEATURING HIGH ISOLATION, LOW INSERTION LOSS, AND LOW VSWR. IT IS DESIGNED FOR BROADBAND USE AND HIGH RELIABILITY.

REVISIONS				
ZONE	REV.	DESCRIPTION	DATE	APPROVED
	-	ORIGINAL RELEASE JOB# P411048E	4/5/05	

PRELIMINARY



SPECIFICATIONS

- FREQUENCY RANGE: 0.5 TO 18 GHz
- INSERTION LOSS: 0.5 TO 8.0 GHz, 0.8 dB MAXIMUM
8.0 TO 18 GHz, 1.8 dB MAXIMUM
- VSWR: 0.5 TO 8.0 GHz, 1.5:1 MAXIMUM
8.0 TO 18 GHz, 1.75:1 MAXIMUM
- ISOLATION: 0.5 TO 8.0 GHz, 18.0 dB MINIMUM
8.0 TO 18 GHz, 17.0 dB MINIMUM
- AMPLITUDE BALANCE: 0.5 TO 8.0 GHz, ±0.6 dB
8.0 TO 18 GHz, ±0.75dB
- PHASE BALANCE: 0.5 TO 8.0 GHz, ±8°
8.0 TO 18 GHz, ±10°
- AVERAGE POWER INTO LOAD VSWR:
1.2:1 25 WATTS
2.0:1 7.5 WATTS
∞:1 0.75 WATTS
- SIZE: 3.75" (L) x 1.00" (W) x 0.40" (H)

ENVIRONMENTAL RATINGS:

- TEMPERATURE: -55°C TO +85°C (OPERATING)
-65°C TO +125°C (STORAGE)
- HUMIDITY: MIL-STD-202F, METHOD 103B COND. B
- SHOCK: MIL-STD-202F, METHOD 213B COND. B
- VIBRATION: MIL-STD-202F, METHOD 204D COND. B
- ALTITUDE: MIL-STD-202F, METHOD 105C COND. B
- TEMPERATURE CYCLE: MIL-STD-202F, METHOD 107D COND. A

PLANAR MONOLITHICS INDUSTRIES, INC.

7311-G GROVE ROAD
 FREDERICK, MARYLAND 21704 USA
 TEL: 301-631-1579 FAX: 301-662-2029
 WEBSITE: www.planarmonolithicsindustries.com
 E-MAIL: sales@planarmonolithics.com
 ISO 9001:2000 CERTIFIED



NOTE: SPECIFICATIONS WILL VARY OVER OPERATING TEMPERATURE
 NOTE: THE ABOVE SPECIFICATIONS ARE SUBJECT TO CHANGE OR REVISION

ALL DIMENSIONS ARE IN INCHES
 TOLERANCES:
 X.XX ±0.020
 X.XXX ±0.010

APPROVALS		DATE	TITLE			REV.
DRAWN	<i>FSCM</i>	4/5/05	PRODUCT FEATURE			
CHECKED	<i>Y.R.</i>	4/26/05	APD-2-0518-YR1			
ISSUED	<i>LA</i>	4/26/05	0.5 - 18 GHz 2 WAY POWER DIVIDER			
	SIZE	FSCM NO.	DWG NO.			
	A	OZXZ8	100-7409			
SCALE N:S			SHEET		1 OF 3	