

DESCRIPTION

PMI MODEL P1T-612-75-T-1W-SFF IS AN ABSORPTIVE, SINGLE POLE SINGLE THROW SWITCH THAT OPERATES OVER THE 6 TO 12 GHz FREQUENCY RANGE. THIS UNIT FEATURES LOW INSERTION LOSS AND HIGH ISOLATION WITH 1 WATT OPERATIONAL POWER HANDLING.

SPECIFICATIONS

- FREQUENCY:----- 6 TO 12 GHz
- INSERTION LOSS:----- 1.8 dB MAX
- ISOLATION:----- 75 dB MIN
- VSWR (On/Off):----- 1.5:1 MAX
- SWITCHING SPEED:----- 150 ns MAX
- P0.1 dB INPUT POWER:----- +30 dBm CW MIN
- LOGIC CONTROL:----- +5V TTL
- DC SUPPLY:----- ±5VDC
- CONNECTORS:----- SMA (F)
- FINISH:----- GOLD PLATED

TTL LOGIC CONTROL TABLE

CTL	FUNCTION
0	J0 TO J1 ON
1	J0 TO J1 OFF

ENVIRONMENTAL RATINGS

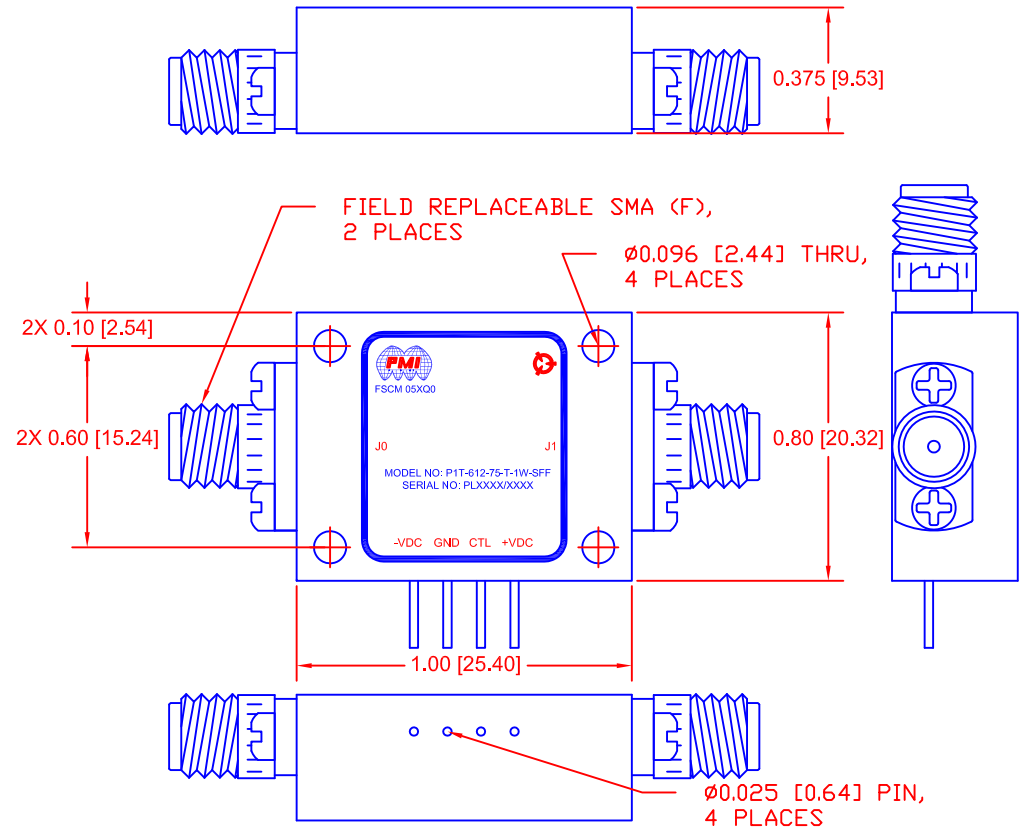
- TEMPERATURE:----- -40 °C TO +85 °C (OPERATING)
-55 °C TO +125 °C (STORAGE)
- HUMIDITY:----- MIL-STD-202, METHOD 103B COND. B
- SHOCK:----- MIL-STD-202, METHOD 213B COND. B
- VIBRATION:----- MIL-STD-202, METHOD 204D COND. B
- ALTITUDE:----- MIL-STD-202, METHOD 105C COND. B
- TEMPERATURE CYCLE:----- MIL-STD-202, METHOD 107D COND. A

NOTE: SPECIFICATIONS WILL VARY OVER OPERATING TEMPERATURE
NOTE: THE ABOVE SPECIFICATIONS ARE SUBJECT TO CHANGE OR REVISION

PMI CONFIDENTIAL AND PROPRIETARY

REVISIONS				
ZONE	REV.	DESCRIPTION	DATE	APPROVED
	1	PRELIMINARY	11/2/21	

MECHANICAL OUTLINE



PLANAR MONOLITHICS INDUSTRIES, INC.
7311-F GROVE ROAD
FREDERICK, MARYLAND 21704 USA
TEL: (301)-662-5019, FAX: (301)-662-1731
WEB: www.pmi-rf.com, EMAIL: sales@pmi-rf.com
ISO 9001 CERTIFIED



APPROVALS		DATE	TITLE		
DRAWN <i>DPD</i>		11/2/21	PRODUCT FEATURE P1T-612-75-T-1W-SFF		
CHECKED			SIZE A	FSCM NO. 05XQ0	DWG NO. PRELIMINARY
ISSUED			SCALE N:S		SHEET 1 OF 1

ALL DIMENSIONS ARE IN INCHES [mm]
TOLERANCES:
X.XX ±0.020 [±0.508]
X.XXX ±0.010 [±0.254]