

## DESCRIPTION

PMI MODEL P2T-4060-80-T IS AN ABSORPTIVE, SINGLE POLE TWO THROW PIN DIODE SWITCH THAT OPERATES OVER THE 40 TO 60 GHz FREQUENCY RANGE. IT FEATURES LOW INSERTION LOSS AND HIGH ISOLATION IN A SLIMLINE PACKAGE. THIS MODEL ALSO INCORPORATES A TTL COMPATIBLE DRIVER FOR EASE OF SYSTEM INTEGRATION.

## SPECIFICATIONS

- FREQUENCY: \_\_\_\_\_ 40 to 60 GHz
- INSERTION LOSS: \_\_\_\_\_ 9.0 dB TYP
- VSWR: \_\_\_\_\_ 2.5:1 TYP
- ISOLATION: \_\_\_\_\_ 80 dB TYP
- INPUT POWER: \_\_\_\_\_ 20 dBm CW MAX
- SWITCHING SPEED: \_\_\_\_\_ 50 ns MAX
- CONTROL SIGNAL: \_\_\_\_\_ TTL LOGIC "0" = J1-J2 ON  
TTL LOGIC "1" = J1-J3 ON
- DC VOLTAGE: \_\_\_\_\_ +5 V @ 100 mA MAX  
-5 V @ 100 mA MAX
- RF CONNECTORS: \_\_\_\_\_ 1.85 mm FEMALE
- SIZE: \_\_\_\_\_ 1.0" X 0.75" X 0.4"
- FINISH: \_\_\_\_\_ GOLD PLATED

## ENVIRONMENTAL RATINGS

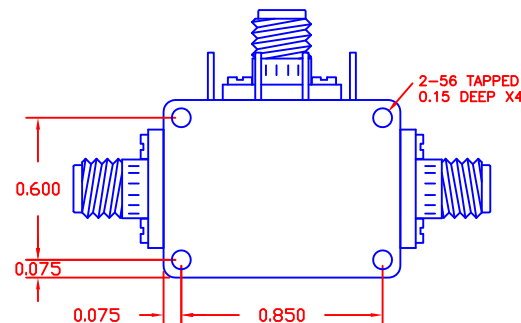
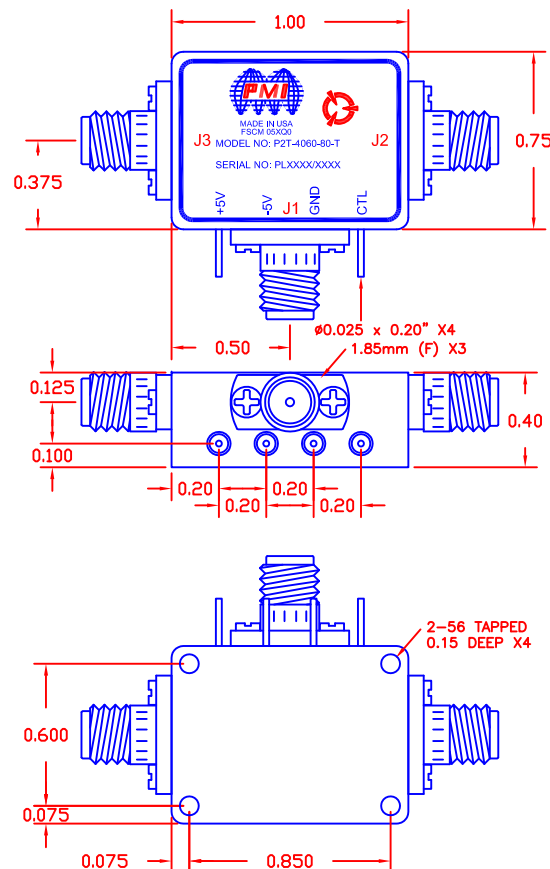
- TEMPERATURE: \_\_\_\_\_ -40 °C TO +85 °C (OPERATING)  
-65 °C TO +125 °C (STORAGE)
- HUMIDITY: \_\_\_\_\_ MIL-STD-202F, METHOD 103B COND. B
- SHOCK: \_\_\_\_\_ MIL-STD-202F, METHOD 213B COND. B
- VIBRATION: \_\_\_\_\_ MIL-STD-202F, METHOD 204D COND. B
- ALTITUDE: \_\_\_\_\_ MIL-STD-202F, METHOD 105C COND. B
- TEMPERATURE CYCLE: \_\_\_\_\_ MIL-STD-202F, METHOD 107D COND. A

NOTE: SPECIFICATIONS WILL VARY OVER OPERATING TEMPERATURE  
NOTE: THE ABOVE SPECIFICATIONS ARE SUBJECT TO CHANGE OR REVISION

ALL DIMENSIONS ARE IN INCHES  
TOLERANCES:  
X.XX ±0.020  
X.XXX ±0.010

**PMI CONFIDENTIAL AND PROPRIETARY**

| REVISIONS |      |                             |         |          |
|-----------|------|-----------------------------|---------|----------|
| ZONE      | REV. | DESCRIPTION                 | DATE    | APPROVED |
|           | 1    | Preliminary                 | 9/16/21 |          |
|           | 2    | Updated VSWR to 2.5 : 1 Typ | 9/29/21 |          |
|           | 3    | Updated Spec                | 4/14/23 |          |



**PLANAR MONOLITHICS INDUSTRIES, INC.**  
7311-F GROVE ROAD  
FREDERICK, MARYLAND 21704 USA  
TEL: (301)-662-5019, FAX: (301)-662-1731  
WEB: www.pmi-rf.com, EMAIL: sales@pmi-rf.com  
ISO 9001 CERTIFIED



| APPROVALS        |  | DATE    | TITLE                            |                   |                        |
|------------------|--|---------|----------------------------------|-------------------|------------------------|
| DRAWN <i>SMJ</i> |  | 9/16/21 | PRODUCT FEATURE<br>P2T-4060-80-T |                   |                        |
| CHECKED          |  |         | SIZE<br>A                        | FSCM NO.<br>05XQ0 | DWG NO.<br>Preliminary |
| ISSUED           |  |         | SCALE<br>N:S                     | SHEET<br>1 OF 1   | REV.<br>3              |