

DESCRIPTION

PMI MODEL P2T-500M18G-80-T-515-SFF-4W-ST-ROHS IS AN ABSORPTIVE, SINGLE POLE, TWO THROW PIN DIODE SWITCH THAT OPERATES OVER THE 0.5 GHZ TO 18 GHZ FREQUENCY RANGE. THIS MODEL INCORPORATES A TTL COMPATIBLE DRIVER FOR EASY SYSTEM INTEGRATION.

SPECIFICATIONS

- FREQUENCY RANGE: ----- 0.5 TO 18 GHz
- ISOLATION: ----- 70 dB MINIMUM
- INSERTION LOSS: ----- 3.5 dB TYPICAL
- VSWR IN/OUT: ----- 2.0:1 MAXIMUM
- INPUT POWER: ----- 4 WATTS CW MAXIMUM
- INPUT PEAK POWER: ----- 20 WATTS MAXIMUM, 50 ns PULSE WIDTH, 2 MHz PRF WITH A 10% DUTY CYCLE
- SWITCHING SPEED: ----- 60 ns MAXIMUM
- DC VOLTAGE: ----- +5 V @ 150 mA
-15 V @ 150 mA
- CONTROL SIGNAL: ----- TTL LOGIC
SEE LOGIC TABLE
- CONNECTORS: ----- RF: SMA FEMALE
CONTROL: SOLDER PINS
- SIZE: ----- 25.40 mm x 25.40 mm x 10.16 mm
1.00" x 1.00" x 0.40"
EXCLUDING CONNECTORS
- FINISH: ----- PAINTED BLUE - MOUNTING SURFACE FREE OF PAINT

LOGIC TABLE

CTL1	FUNCTION
1	J1 - J2
0	J1 - J3

ENVIRONMENTAL RATINGS

- TEMPERATURE: ----- -40 °C TO +85 °C (OPERATING)
-55 °C TO +125 °C (STORAGE)
- HUMIDITY: ----- MIL-STD-202, METHOD 103B COND. B
- SHOCK: ----- MIL-STD-202, METHOD 213B COND. B
- VIBRATION: ----- MIL-STD-202, METHOD 204D COND. B
- ALTITUDE: ----- MIL-STD-202, METHOD 105C COND. B
- TEMPERATURE CYCLE: ----- MIL-STD-202, METHOD 107D COND. A

NOTE: SPECIFICATIONS WILL VARY OVER OPERATING TEMPERATURE

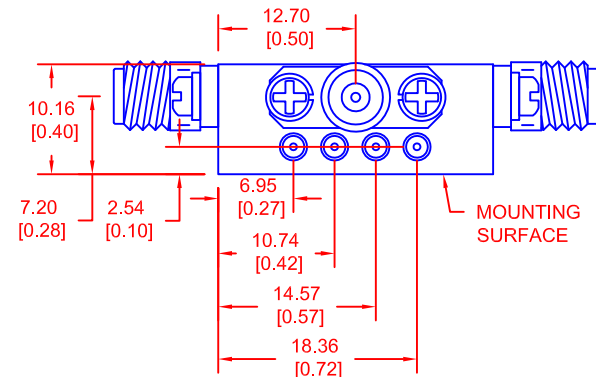
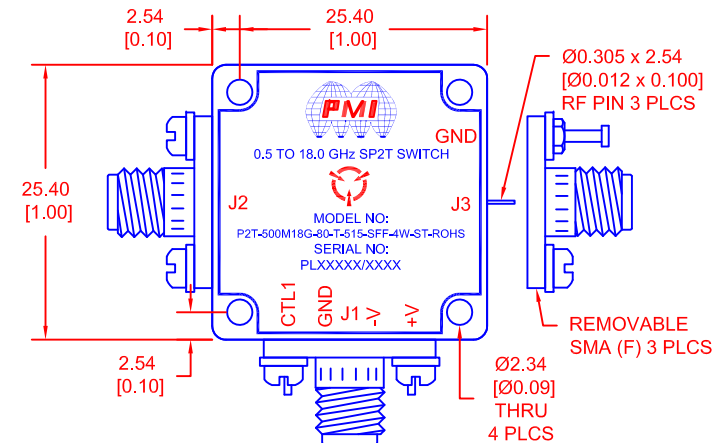
NOTE: THE ABOVE SPECIFICATIONS ARE SUBJECT TO CHANGE OR REVISION

ALL DIMENSIONS
ARE IN mm [INCH]
TOLERANCES:
X.XX ±0.508 [0.020]
X.XXX ±0.254 [0.010]

PMI CONFIDENTIAL AND PROPRIETARY

REVISIONS				
ZONE	REV.	DESCRIPTION	DATE	APPROVED
	-	PRELIMINARY	7/12/23	

MECHANICAL OUTLINE



PLANAR MONOLITHICS INDUSTRIES, INC.

7311-F GROVE ROAD

FREDERICK, MARYLAND 21704 USA

TEL: (301)-662-5019, FAX: (301)-662-1731

WEB: www.pmi-rf.com, EMAIL: sales@pmi-rf.com

ISO 9001 CERTIFIED



APPROVALS		DATE	TITLE		
DRAWN <i>AG</i>		7/12/23	PRODUCT FEATURE		
CHECKED			P2T-500M18G-80-T-515-SFF-4W-ST-ROHS		
ISSUED			0.5 to 18.0 GHz Single Pole, Two Throw Pin Diode Switch		
SIZE	FSCM NO.	DWG NO.	REV.		
A	05XQ0		PRELIMINARY		
SCALE	N:S		SHEET	1 OF 1	