

DESCRIPTION

PMI MODEL P4T-0R5G8G-60-55-T-SFF IS AN ABSORPTIVE, HIGH SPEED, SINGLE POLE FOUR THROW SWITCH CAPABLE OF SWITCHING WITHIN 100 ns MAXIMUM. THE FREQUENCY RANGE IS 0.5 GHz TO 8.0 GHz. THIS SWITCH HAS 60 dB ISOLATION MINIMUM.

SPECIFICATIONS

- FREQUENCY RANGE: _____ 0.5 GHz TO 8.0 GHz
- IMPEDANCE: _____ 50 Ω
- INPUT POWER: _____ +30dBm MAX
- VSWR: _____ 2.0:1 MAX
- INSERTION LOSS: _____ 1.9 dB MAX, 2.5 dB MAX
- ISOLATION: _____ 60 dB MIN, 75 dB TYP
- SWITCHING SPEED: _____ 100ns MAX
- DC VOLTAGE: _____ +5VDC, 200mA TYP.
-5VDC, 100mA TYP.
- CONTROL: _____ SOLDER PIN
TTL Logic "0" = Low Loss
TTL Logic "1" = Isolation
E1 Controls J1 - J2
E2 Controls J1 - J3
E3 Controls J1 - J4
E4 Controls J1 - J5
- CONNECTORS IN/OUT: _____ SMA (F)
- SIZE: _____ (L) 1.25" X (W) 1.25" X (H) 0.4"
- FINISH: _____ BLUE EPOXY POLIMIDE COATING IAW MIL-C-22750, TYPE I OVER EPOXY POLIMIDE PRIMER IAW MIL-P-23377, TYPE I, CLASS 1 OR 3.

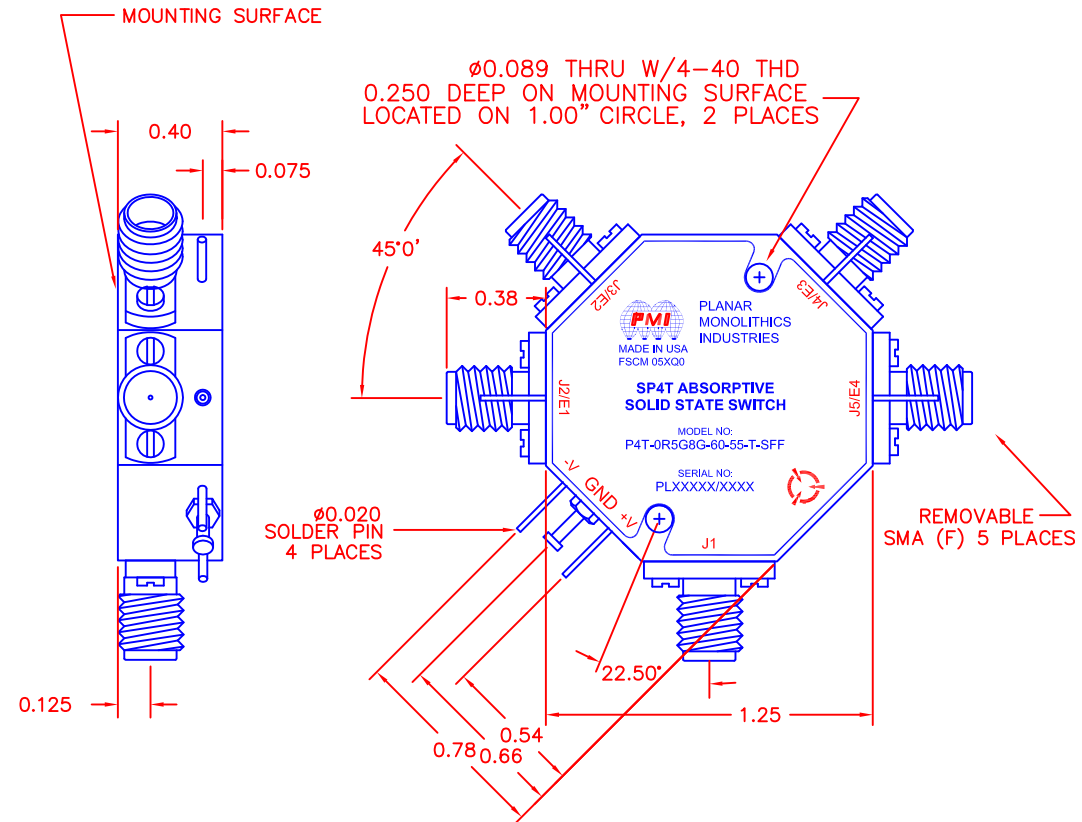
ENVIRONMENTAL RATINGS

- TEMPERATURE: _____ -55°C TO + 85°C (OPERATING)
-65°C TO +125°C (STORAGE)
- HUMIDITY: _____ MIL-STD-202F, METHOD 103B COND. B
- SHOCK: _____ MIL-STD-202F, METHOD 213B COND. B
- VIBRATION: _____ MIL-STD-202F, METHOD 204D COND. B
- ALTITUDE: _____ MIL-STD-202F, METHOD 105C COND. B
- TEMPERATURE CYCLE: _____ MIL-STD-202F, METHOD 107D COND. A

NOTE: SPECIFICATIONS WILL VARY OVER OPERATING TEMPERATURE
NOTE: THE ABOVE SPECIFICATIONS ARE SUBJECT TO CHANGE OR REVISION

REVISIONS				
ZONE	REV.	DESCRIPTION	DATE	APPROVED
	-	PRELIMINARY	1/12/22	

MECHANICAL OUTLINE



PMI CONFIDENTIAL AND PROPRIETARY

PLANAR MONOLITHICS INDUSTRIES, INC.

7311-F GROVE ROAD
FREDERICK, MARYLAND 21704 USA
TEL: 301-662-5019 FAX: 301-662-1731
WEBSITE: www.pmi-rf.com
E-MAIL: sales@pmi-rf.com
ISO 9001 CERTIFIED



ALL DIMENSIONS ARE IN INCHES
TOLERANCES:
X.XX ±0.020
X.XXX ±0.010

APPROVALS		DATE	TITLE		
DRAWN	<i>AF</i>	1/12/22	PRODUCT FEATURE P4T-0R5G8G-60-55-T-SFF		
CHECKED			SIZE	FSCM NO.	DWG NO.
ISSUED			A	05XQ0	PRELIMINARY
			SCALE	SHEET	
			N:S	1 OF 1	