

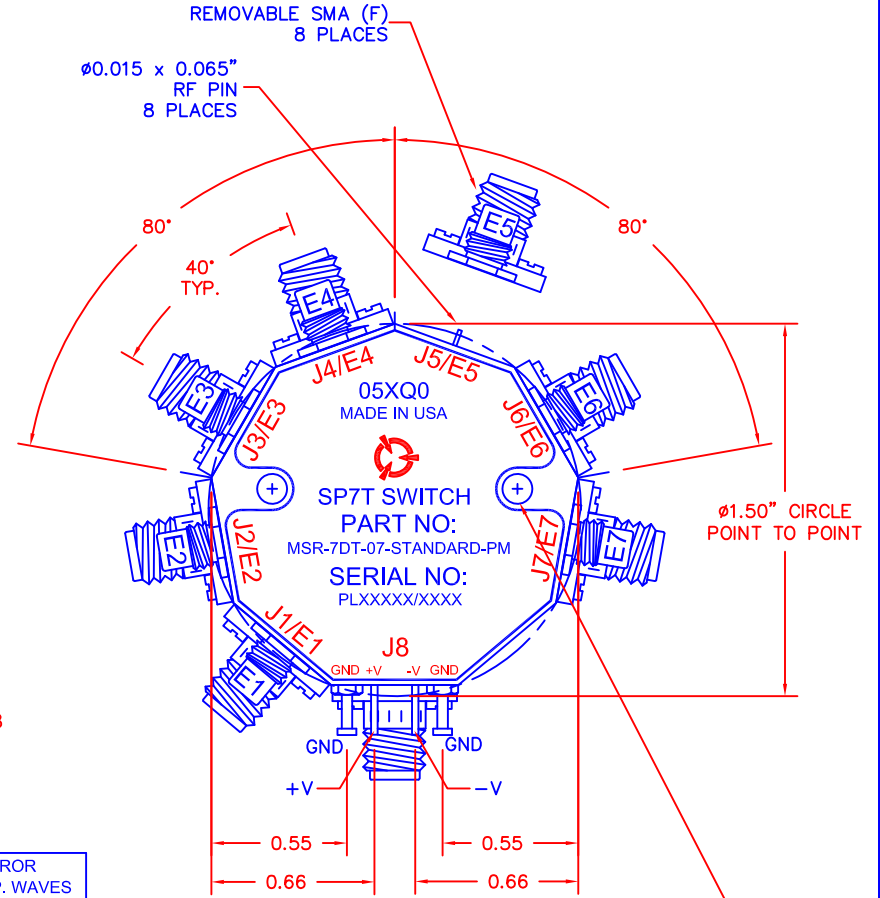
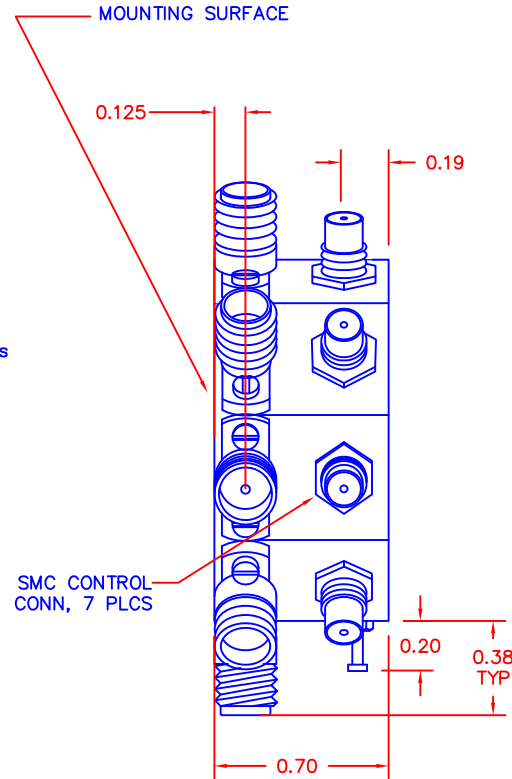
DESCRIPTION:

PMI MODEL P7T-0R8G18G-60-T-SFF-SMC IS A SINGLE POLE SEVEN THROW ABSORPTIVE SWITCH WITH SMA CONNECTORS AND SMC CONTROL CONNECTORS. IT HAS A FREQUENCY RANGE OF 0.8 TO 18GHz, 4.3 dB MAXIMUM INSERTION LOSS, AND 60dB ISOLATION MINIMUM @ 18GHz.

REVISIONS				
ZONE	REV.	DESCRIPTION	DATE	APPROVED
	A	ORIGINAL RELEASE	1/13/12	PK

SPECIFICATIONS:

- FREQUENCY: 0.8 GHz TO 18 GHz
- INSERTION LOSS: 4.3dB MAX.
- ISOLATION: 0.8 GHz TO 18 GHz: 60dB MIN.
- VSWR: IN/OUT: 2.0:1
OUT/OFF: 2.0:1
- SPEED: RISE: 15ns MAX.
FALL: 15ns MAX.
DELAY ON: 75ns MAX.
DELAY OFF: 75ns MAX.
- INPUT POWER: (CW)+20dBm (STANDARD)
- SURVIVAL POWER: 1 WATT CW, 10 WATTS PEAK 1 us
- CONTROL: TTL LOGIC "0"=ON "1"=OFF
- POWER SUPPLY: +5V @ 350 mA MAX.
-5V @ 100 mA MAX.
- FINISH: PAINTED GRAY



Ø0.089 THRU W/4-40 THD
0.250 DEEP ON MOUNTING SURFACE
LOCATED ON Ø1.00" CIRCLE
2 PLACES

SPECIFICATIONS REQUIRED	INSERTION LOSS	VSWR	ISOLATION	SWITCHING SPEED	POWER	AVG. UNIT ERROR
	4.3 dB	(2:1/9.54dB)	60dB	75 ns	≤20dBm (STANDARD) ≤30dBm (SURVIVAL)	INCLUDING TEMP. WAVES ≤0.2 dB
PERFORMANCE VARIATION/ INCONSISTENCY*	±0.5dB	±1dB	±5dB	±5ns	COMPLIANT	≤0.75dB

* CONSISTENCY/STABILITY FOR EACH DEVICE

ENVIRONMENTAL RATINGS:

- TEMPERATURE: -40°C TO +85°C (OPERATING)
-65°C TO +125°C (STORAGE)
- HUMIDITY: MIL-STD-202F, METHOD 103B COND. B
- SHOCK: MIL-STD-202F, METHOD 213B COND. B
- VIBRATION: MIL-STD-202F, METHOD 204D COND. B
- ALTITUDE: MIL-STD-202F, METHOD 105C COND. B
- TEMPERATURE CYCLE: MIL-STD-202F, METHOD 107D COND. A

ALL DIMENSIONS ARE IN INCHES
TOLERANCES:
X.XX ±0.020
X.XXX ±0.010

NOTE: SPECIFICATIONS WILL VARY OVER OPERATING TEMPERATURE
NOTE: THE ABOVE SPECIFICATIONS ARE SUBJECT TO CHANGE OR REVISION

* Units are designed to meet environmental ratings, but not tested.
If environmental testing is required, please contact sales department.

PART NO.		PLANAR MONOLITHICS INDUSTRIES, INC. 7311-F GROVE ROAD FREDERICK, MARYLAND 21704 USA TEL: 301-662-5019 FAX: 301-662-1731 WEBSITE: www.pmi-ri.com E-MAIL: sales@pmi-ri.com ISO 9001:2008 CERTIFIED			
APPROVALS	DATE				
DRAWN	1/13/12				
CHECKED		TITLE			
		PRODUCT FEATURE P7T-0R8G18G-60-T-SFF-SMC			
ISSUED		SIZE	FSCM NO.	DWG NO.	REV.
		A	05XQ0	27016061	A1
		SCALE	SHEET		1 OF 1