

DESCRIPTION:

PLANAR MONOLITHICS INDUSTRIES MODEL NUMBER PD4-500M7G-TEE-SMPM IS A 1 TO 4 POWER DIVIDER FEATURING LOW INSERTION LOSS WITH A FREQUENCY RANGE OF 1.0 TO 4.4 GHz. THIS UNIQUE DESIGN FEATURES SEVERAL MOUNTING AND ORIENTATION CONFIGURATIONS IN ONE PACKAGE.

ZONE	REV.	DESCRIPTION	DATE	APPROVED
	A1	ORIGINAL RELEASE	12/14/2018	

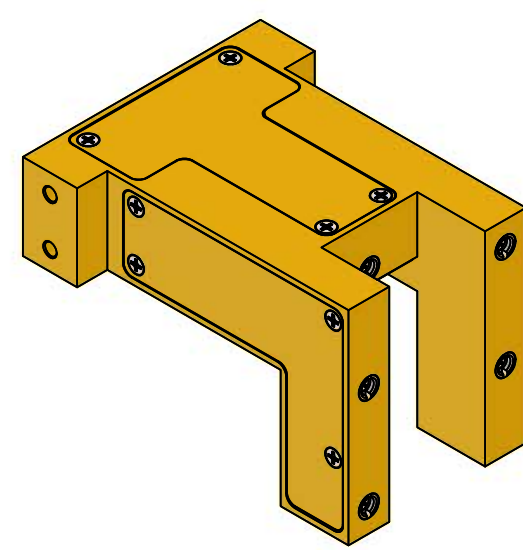
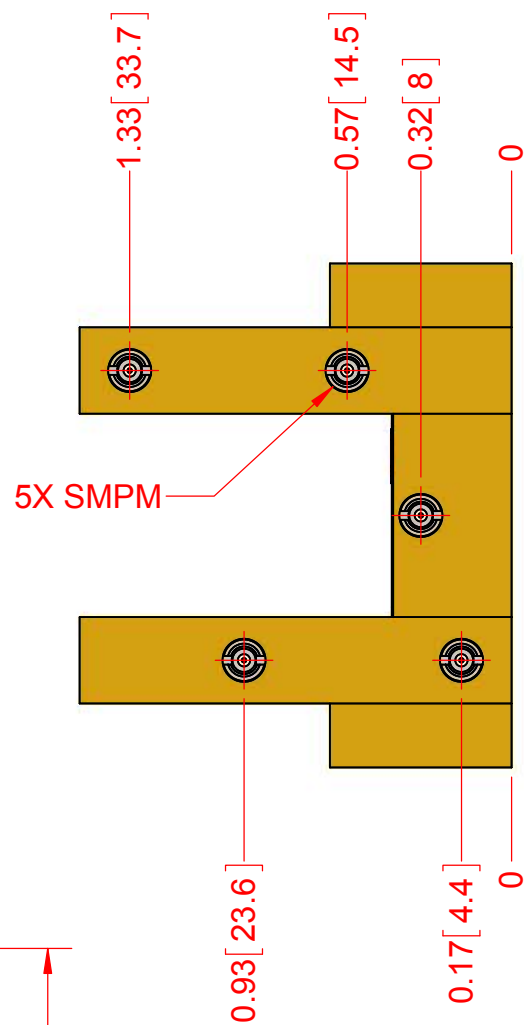
SPECIFICATIONS:

- FREQUENCY RANGE:..... 1.0 TO 4.4 GHz
- INSERTION LOSS:..... < 8.5 dB
- ISOLATION:..... > 12 dB
- INPUT VSWR:..... 2:1 MAX
- OUTPUT VSWR:..... 2:1 MAX
- AMPLITUDE BALANCE:..... +/- 0.3 dB TYPICAL
- ABSOLUTE MAX RF POWER(SURVIVAL):..... 20W CW
- CONNECTORS:
 - INPUTS:..... MALE SMPM
 - OUTPUTS:..... MALE SMPM
- SIZE:..... 1.75" X 2.18" X 1.50"
- FINISH:..... GOLD PLATED

ENVIRONMENTAL RATINGS:

- TEMPERATURE:..... -40°C TO +85°C (OPERATING)
-40°C TO +85°C (STORAGE)
- HUMIDITY:..... MIL-STD-810, 0 TO 95% NON-CONDENSING
- SHOCK:..... MIL-STD-810, 516.6 COMPLIANT, 20G, 11 ms DURATION
- VIBRATION:..... MIL-STD-810, METHOD 515, FIG. 3 (NON-OP)
- ALTITUDE:..... MIL-STD-810, 15000 FT

NOTE: THE ABOVE SPECIFICATIONS ARE SUBJECT TO CHANGE OR REVISION SPECIFICATIONS WILL VARY OVER OPERATING TEMPERATURE



PMI CONFIDENTIAL AND PROPRIETARY

PLANAR MONOLITHICS INDUSTRIES, INC.
 7311-F GROVE ROAD
 FREDERICK, MARYLAND 21704 USA
 TEL: (301)-862-5019, FAX: (301)-862-1731
 WEB: www.pmi-rf.com, EMAIL: sales@pmi-rf.com
 ISO 9001 CERTIFIED

APPROVALS		DATE	TITLE		
DRAWN	M. HANKEN	12/14/2018	OUTLINE		
REDRAWN			PD4-500M7G-TEE-SMPM		
ISSUED			SIZE	FSCM NO.	DWG NO.
			B	05XQ0	27035925
UNLESS OTHERWISE SPECIFIED DIMENSIONS ARE IN INCHES TOLERANCES ARE:			SCALE	REV.	
FRACTIONS	DECIMALS	ANGLES	1.5:1	A1	
±	.XX ± 0.02	±		SHEET 1 OF 1	
	.XXX ± 0.01				