

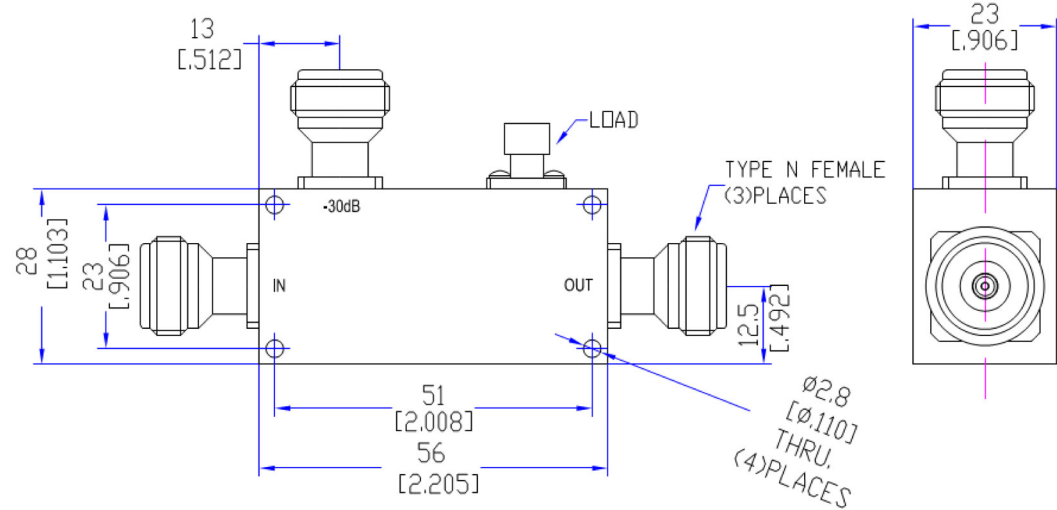
DESCRIPTION:

PMI MODEL NUMBER PDC-2G4G-30-NFF IS A 2 TO 4 GHz DIRECTIONAL COUPLER FEATURING 30 dB COUPLING, 20 dB DIRECTIVITY, AND 0.35 dB INSERTION LOSS.

REVISIONS				
ZONE	REV.	DESCRIPTION	DATE	APPROVED
	-	PRELIMINARY	03/09/26	

SPECIFICATIONS:

- FREQUENCY: 2 TO 4 GHz
- INSERTION LOSS: 0.35 dB MAX
(EXCLUDING 0.01 dB COUPLING LOSS)
- COUPLING: 30 ± 1 dB MAX
- COUPLING SENSITIVITY: ± 0.7 dB MAX
- DIRECTIVITY: 20 dB MIN
- VSWR: 1.20:1 MAX
- POWER HANDLING: 50 W CW MAX
3 kW PEAK MAX
- RF CONNECTORS: N FEMALE
- FINISH: PAINTED BLUE



ENVIRONMENTAL RATINGS

- **TEMPERATURE:** -40°C TO +85°C (OPERATING)
-55°C TO +125°C (STORAGE)
- **HUMIDITY:** UP TO 95%, NON-CONDENSING
- **SHOCK:** MIL-STD-202, METHOD 213B COND. B
- **VIBRATION:** MIL-STD-202, METHOD 204D COND. B
- **ALTITUDE:** MIL-STD-202, METHOD 105C COND. B
- **TEMPERATURE CYCLE:** MIL-STD-202, METHOD 107D COND. A

PMI CONFIDENTIAL AND PROPRIETARY

PLANAR MONOLITHICS INDUSTRIES, INC.

7309-A GROVE ROAD
 FREDERICK, MARYLAND 21704 USA
 TEL: 301-662-5019 FAX: 301-662-1731
 WEBSITE: www.pmi-rf.com
 E-MAIL: sales@pmi-rf.com
 ISO 9001 CERTIFIED



NOTE: SPECIFICATIONS WILL VARY OVER OPERATING TEMPERATURE
 NOTE: THE ABOVE SPECIFICATIONS ARE SUBJECT TO CHANGE OR REVISION

ALL DIMENSIONS ARE IN INCHES
 TOLERANCES:
 X.XX ±0.020
 X.XXX ±0.010
 WEIGHT: 2.75 oz.

APPROVALS		DATE	TITLE		
DRAWN AG		03/09/26	PRODUCT FEATURE		
CHECKED			PDC-2G4G-30-NFF		
ISSUED			SIZE	FSCM NO.	DWG NO.
			A	05XQ0	PRELIMINARY
			SCALE	N:S	SHEET 1 OF 1