

DESCRIPTION

PMI MODEL PDC-31G50G-20-20W-24FF IS A DIRECTIONAL COUPLER THAT HAS AN OPERATING FREQUENCY OF 31.0 TO 50.0 GHZ. THIS MODEL FEATURES LOW VSWR, HIGH DIRECTIVITY, BROADBAND AND COMPACT SIZE.

SPECIFICATIONS

- FREQUENCY RANGE: 31.0 GHZ TO 50.0 GHZ
- INSERTION LOSS: 1.8 dB MAX. (Excl. Coupling loss 0.04dB)
- COUPLING FACTOR: 20 dB \pm 1.0dB
- COUPLING SENSITIVITY: \pm 1.2 dB
- DIRECTIVITY: 15 dB MIN.
- VSWR: PRIMARY 1.7:1 MAX
SECONDARY 1.9:1 MAX
- POWER HANDLING: INCIDENT \leq 20WATT
REFLECTED \leq 1 WATT
- IMPEDANCE: 50 Ω
- CONNECTORS: 2.4mm-FEMALE
- FINISH: PAINTED BLUE
- WEIGHT: 30g

ENVIRONMENTAL RATINGS

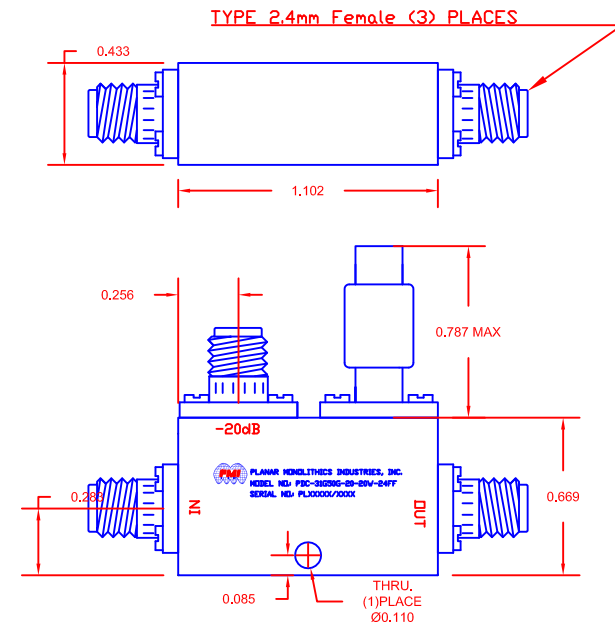
- TEMPERATURE: -55 °C TO +85 °C (OPERATING)
- HUMIDITY: UP TO 95%, NON-CONDENSING

NOTE: THE ABOVE SPECIFICATIONS ARE SUBJECT TO CHANGE OR REVISION

PMI CONFIDENTIAL AND PROPRIETARY

REVISIONS				
ZONE	REV.	DESCRIPTION	DATE	APPROVED
	-	PRELIMINARY	9/28/22	

MECHANICAL OUTLINE



PLANAR MONOLITHICS INDUSTRIES, INC.
 7311-F GROVE ROAD
 FREDERICK, MARYLAND 21704 USA
 TEL: (301)-662-5019, FAX: (301)-662-1731
 WEB: www.pmi-rf.com, EMAIL: sales@pmi-rf.com
 ISO 9001 CERTIFIED



APPROVALS		DATE	TITLE			
DRAWN <i>AF</i>		9/28/22	OUTLINE DRAWING PDC-31G50G-20-20W-24FF			
CHECKED			SIZE A	FSCM NO. 05XQ0	DWG NO.	REV. -
ISSUED			SCALE N/A		SHEET 1 OF 1	