

Description:

PMI model # PE2-28-218-5R0-12-15-SFF is designed for Military and Industrial applications operating over the frequency range of 2.0 to 18.0 GHz. This amplifier is supplied in our standard PE2 housing that can be used as a SMA connectorized or a surface mount component.

This model provides the following performance.

Specifications:

Frequency Range:	2.0 to 18.0 GHz
Gain:	+24dB Min.
Flatness:	+/- 2.0dB Max.
Noise Figure:	4.5dB Max.
OP1dB:	+14dBm Min.
VSWR Input/Output:	1.9:1 Max.
DC Voltage Supply:	+15VDC
DC Current Draw:	200mA Max.
Connectors In/Out	SMA Female
Finish	Gold Plated

Features:

Internal Voltage Regulation
 Unconditional Stability
 Standard Operating Temperature -25 to +85 Deg. C

Environmental Ratings:

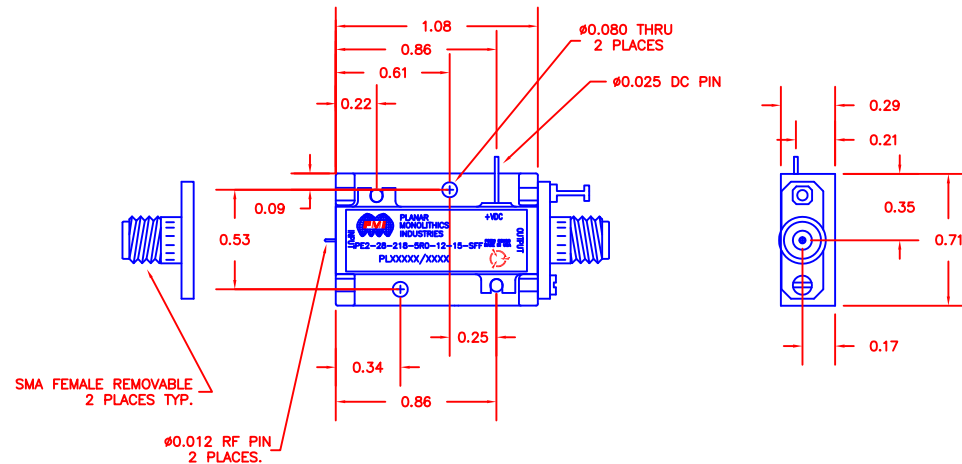
Temperature:	-25 to +85 Deg. C (Operating); -55 to +85 Deg C (Available) -55 to +125 Deg. C (Storage)
Humidity:	MIL-STD-202F, METHOD 103B COND B.
Shock:	MIL-STD-202F, METHOD 213B COND B.
Altitude:	MIL-STD-202F, METHOD 105C COND B.
Temperature Cycle:	MIL-STD-202F, METHOD 107D COND A

Note: The above specifications are subject to change or revision.

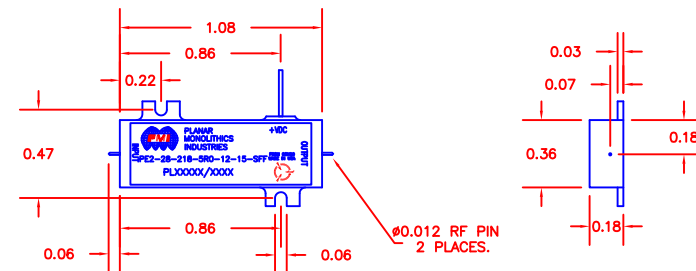
ALL DIMENSIONS ARE IN INCHES
 TOLERANCES:
 X.XX ±0.020
 X.XXX ±0.010

REVISIONS				
ZONE	REV.	DESCRIPTION	DATE	APPROVED
	A1	ORIGINAL RELEASE	08/14/13	

PE2 HOUSING WITH CARRIER



PE2 HOUSING WITHOUT CARRIER (SURFACE MOUNT)



PMI CONFIDENTIAL AND PROPRIETARY

PLANAR MONOLITHICS INDUSTRIES, INC.

7311-F GROVE ROAD
 FREDERICK, MARYLAND 21704 USA
 TEL: 301-662-5019 FAX: 301-662-1731
 WEBSITE: www.pmi-rf.com
 E-MAIL: sales@pmi-rf.com
 ISO 9001:2008 CERTIFIED



APPROVALS		DATE	TITLE		
DRAWN	<i>AMG</i>	08/14/13	PRODUCT FEATURE PE2-28-218-5R0-12-15-SFF		
CHECKED			SIZE	FSCM NO.	DWG NO.
ISSUED			A	05XQ0	27007903
			SCALE	N:S	SHEET 1 OF 1