

REVISIONS				
ZONE	REV.	DESCRIPTION	DATE	APPROVED
-	-	PRELIMINARY	8/6/14	

Description:

PMI Model Number PE2-30-4R08R0-1R75-12-12-SFF is a 4 to 8 GHz low noise amplifier. This amplifier is supplied in our standard PE2 housing that can be used as a SMA connectorized or a surface mount component.

This model provides the following performance. Data is available upon request.

Specifications:

Frequency Range: 4 to 8 GHz
 Gain: 30dB Typ.
 Gain Flatness: +/- 1.25dB Max.
 Noise Figure: 1.75dB Typ.
 OP1dB: +12dBm Typ.
 VSWR Input/Output: 2.0:1 Max.
 DC Voltage Supply: +12 to +15VDC
 DC Current Draw: 160mA Max.
 Connectors In/Out: SMA Female

Features:

Internal Voltage Regulation
 Unconditional Stability

Available Options:

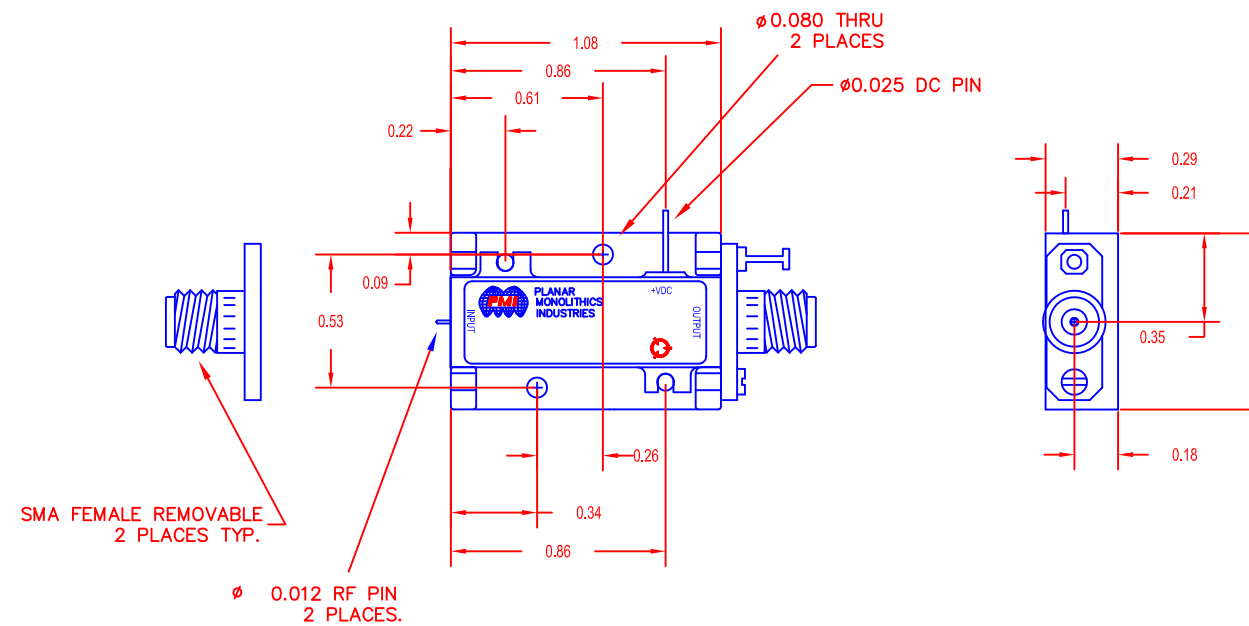
Various Package types
 Various Connector types
 Temperature Compensation
 Gain and Phase Matching
 MIL-STD-883 Screening Available

Environmental Ratings:

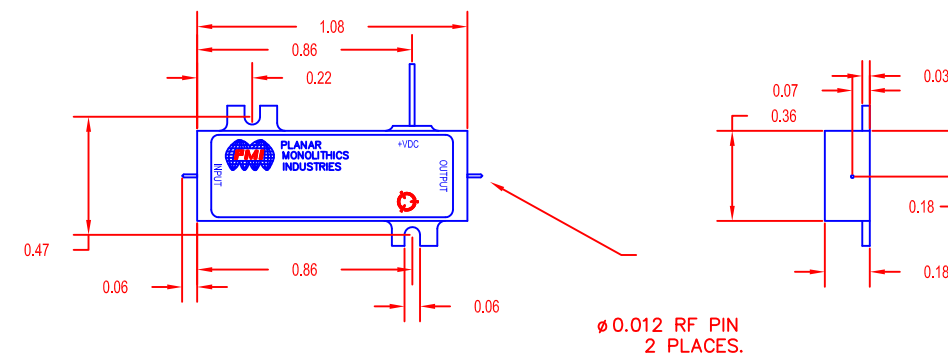
Temperature: -54 to +85 Deg. C (Operating)
 -55 to +125 Deg. C (Storage)
 Humidity: MIL-STD-202F, METHOD 103B COND B.
 Shock: MIL-STD-202F, METHOD 213B COND B.
 Altitude: MIL-STD-202F, METHOD 105C COND B.
 Temperature Cycle: MIL-STD-202F, METHOD 107D COND A

Note: The above specifications are subject to change or revision.

PE2 HOUSING WITH CARRIER



PE2 HOUSING WITHOUT CARRIER (SURFACE MOUNT)



CONFIDENTIAL & PROPRIETARY

UNLESS OTHERWISE SPECIFIED
 DIMENSIONS ARE IN INCHES
 TOLERANCES ARE:
 FRACTIONS DECIMALS ANGLES
 $\pm .XX \pm 0.010$ \pm
 $.XXX \pm 0.005$ \pm

PART NO.		7311-F GROVE ROAD FREDERICK, MARYLAND	
APPROVALS	DATE	TITLE	
DRAWN KM	8/6/14	PE2 Series Amplifier	
Modified		PE2-30-4R08R0-1R75-12-12-SFF	
ISSUED		SIZE	CAGE CODE
		B	05XQ0
		DWG NO.	PRELIMINARY
		SCALE	N/A
		SHEET	1 OF 1

DO NOT SCALE DRAWING