

REVISIONS		DATE	APPROVED
ZONE	REV.		
-	-	9/28/09	
DESCRIPTION			
ORIGINAL RELEASE			

Description:
 Low Noise Amplifier designed for Military and Industrial applications. This amplifier is supplied in our standard PE2 housings in a cascade layout that can be used as a SMA connectorized or a surface mount component. Other packages and connector types are available.

This model provides the following performance. Data is available upon request.

Specifications:

- Frequency Range: 0.8 to 1.0 GHz
- Gain: 60dB Typ.
- Gain Flatness: +/-0.75dB Max.
- Noise Figure: 4.5dB Typ.
- OP1dB: 13dBm Min.
- VSWR Input/Output: 2.0:1 Max.
- DC Voltage Supply: +12 to +15VDC
- DC Current Draw: 280mA Max.

Features:

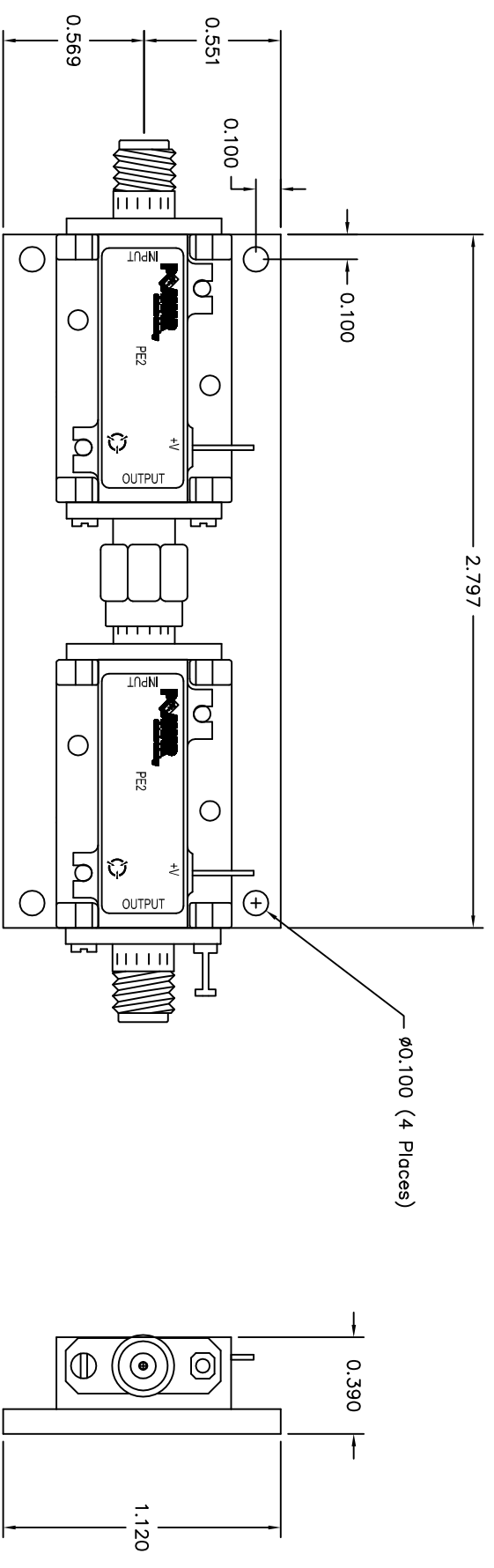
- Internal Voltage Regulation
- Unconditional Stability
- Standard Operating Temperature -20 to +70 Deg. C

Available Options:

- Various Package types
- Various Connector types
- Temperature Compensation
- Hermetic Sealing
- Gain and Phase Matching
- MIL-STD-883 Screening Available

Environmental Ratings:

- Temperature: -20 to +70 Deg. C (Operating) ; -55 to +85 Deg C Available)
 - 55 to +125 Deg. C (Storage)
 - Humidity: MIL-STD-202F, METHOD 103B COND B.
 - Shock: MIL-STD-202F, METHOD 213B COND B.
 - Altitude: MIL-STD-202F, METHOD 105C COND B.
 - Temperature Cycle: MIL-STD-202F, METHOD 107D COND A
- Note: The above specifications are subject to change or revision.



UNLESS OTHERWISE SPECIFIED
 DIMENSIONS ARE IN INCHES
 TOLERANCES ARE:
 FRACTIONS DECIMALS ANGLES
 ± .XX ± 0.010 ±
 .XXX ± 0.005

PART NO.	APPROVALS	DATE	5715 Industry Lane, Unit 11 FREDERICK, MARYLAND
	DRAWN: K. Mason CHECKED: ISSUED:	9/28/09	
MATERIAL: 6061-T6 Aluminum FINISH: Gold Plate over Nickel DO NOT SCALE DRAWING			DRAWING NO.: DATE: TITLE: SIZE: CASE CODE: SCALE:
			PRODUCT FEATURE PE2-60-0R81R0-4R5-15-12-SFF-WEB SIZE: B CASE CODE: 1LK53 SCALE: N/A
			DRAWING NO.: DATE: TITLE: SIZE: CASE CODE: SCALE: