

REVISIONS				
ZONE	REV.	DESCRIPTION	DATE	APPROVED
	A	ORIGINAL RELEASE	12/13/10	

### Description:

Part Number 27005162 (Model Number PE2-28-812-1R75-10-12-SFF) is a 8 to 12 GHz low noise amplifier. This amplifier is supplied in our standard PE2 housing that can be used as a SMA connectorized or a surface mount component.

This model provides the following performance. Data is available upon request.

### Specifications:

Frequency Range:	8 to 12 GHz
Gain:	28dB Typ.
Gain Flatness:	+/- 1.25dB Max.
Noise Figure:	1.75dB Max.
OP1dB:	+10dBm Min.
VSWR Input/Output:	2.0:1 Max.
DC Voltage Supply:	+12 to +15VDC
DC Current Draw:	180mA Max.
Connectors In/Out	SMA Female

### Features:

- Internal Voltage Regulation
- Unconditional Stability
- Standard Operating Temperature -55 to +85 Deg. C

### Available Options:

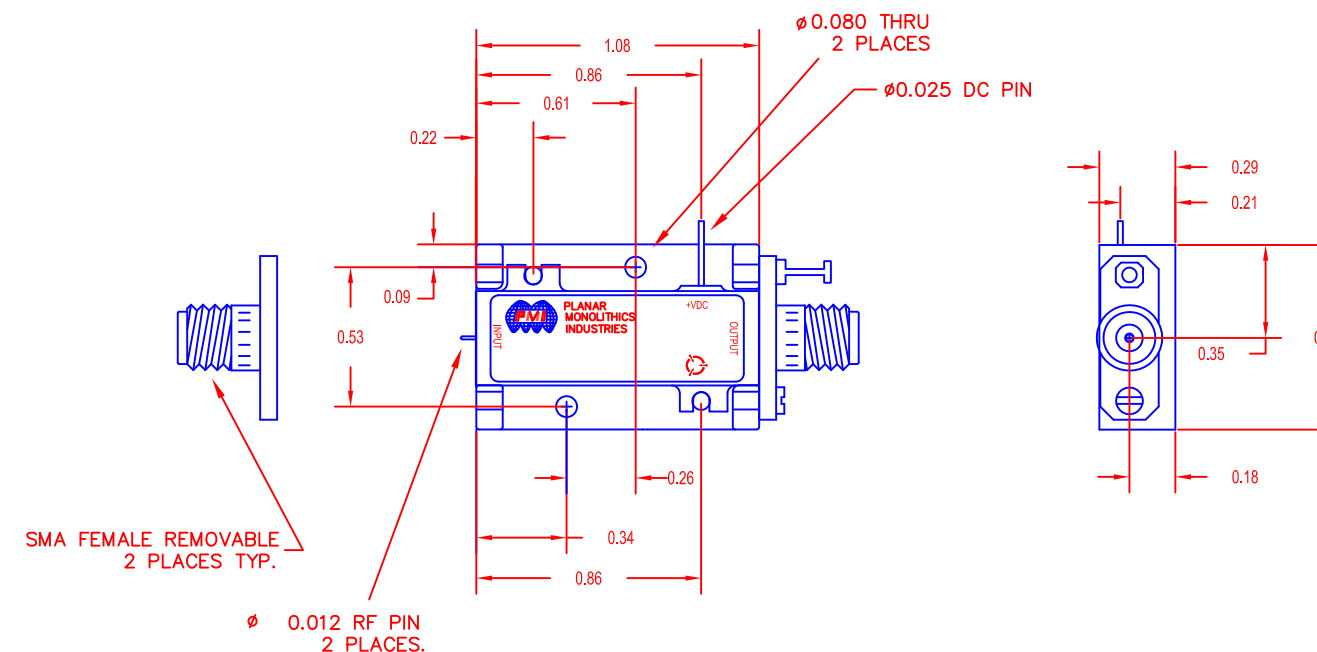
- Various Package types
- Various Connector types
- Temperature Compensation
- Gain and Phase Matching
- MIL-STD-883 Screening Available

### Environmental Ratings:

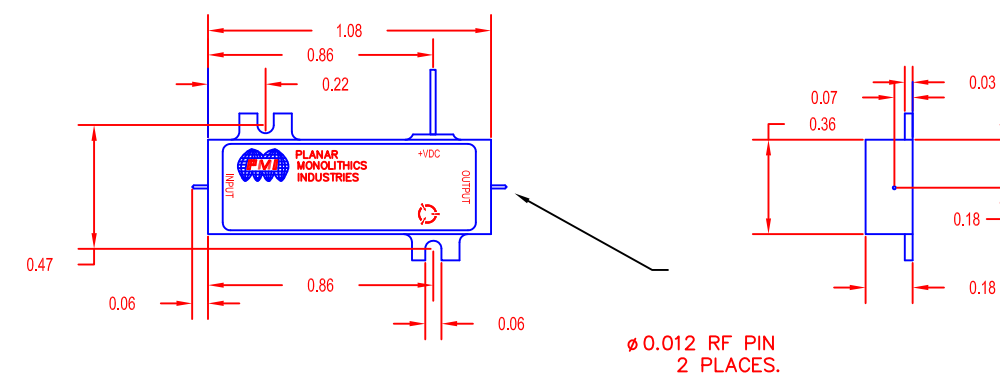
Temperature:	-55 to +85 Deg. C (Operating)
	-65 to +125 Deg. C (Storage)
Humidity:	MIL-STD-202F, METHOD 103B COND B.
Shock:	MIL-STD-202F, METHOD 213B COND B.
Altitude:	MIL-STD-202F, METHOD 105C COND B.
Temperature Cycle:	MIL-STD-202F, METHOD 107D COND A

Note: The above specifications are subject to change or revision.


### PE2 HOUSING WITH CARRIER



### PE2 HOUSING WITHOUT CARRIER (SURFACE MOUNT)



UNLESS OTHERWISE SPECIFIED  
DIMENSIONS ARE IN INCHES  
TOLERANCES ARE:  
FRACTIONS DECIMALS ANGLES  
± .XX ± 0.010 ±  
.XXX ± 0.005

MATERIAL: 6061-T6 Aluminum	PART NO.		 7311-F GROVE ROAD FREDERICK, MARYLAND			
	APPROVALS	DATE				
FINISH: GOLD PLATED	DRAWN	3/9/10	TITLE PE2 Series Amplifier PE2-28-812-1R75-10-12-SFF			
	Modified	SFK		12/13/10		
DO NOT SCALE DRAWING	ISSUED		SIZE	CAGE CODE	DWG NO.	REV.
			B	05XQ0	27005162	A
			SCALE	N/A		SHEET 1 OF 1