

| REVISIONS | | | | |
|-----------|------|------------------|----------|----------|
| ZONE | REV. | DESCRIPTION | DATE | APPROVED |
| A | | ORIGINAL RELEASE | 12/10/10 | |

Description:

Part Number 27001622 (Model Number PE2-30-1016-15-SFF) is a 10 to 16 GHz low noise amplifier. This amplifier is supplied in our standard PE2 housing that can be used as a SMA connectorized or a surface mount component.

This model provides the following performance. Data is available upon request.

Specifications:

| | |
|--------------------|----------------|
| Frequency Range: | 10 to 16 GHz |
| Gain: | 33dB Typ. |
| Gain Flatness: | +/- 1.5dB Max. |
| Noise Figure: | 2.5dB Max. |
| OP1dB: | +5dBm Min. |
| VSWR Input/Output: | 2.8:1 Max. |
| DC Voltage Supply: | +12 to +15VDC |
| DC Current Draw: | 150mA Max. |
| Connectors In/Out | SMA Female |

Features:

- Internal Voltage Regulation
- Unconditional Stability
- Standard Operating Temperature -55 to +85 Deg. C

Available Options:

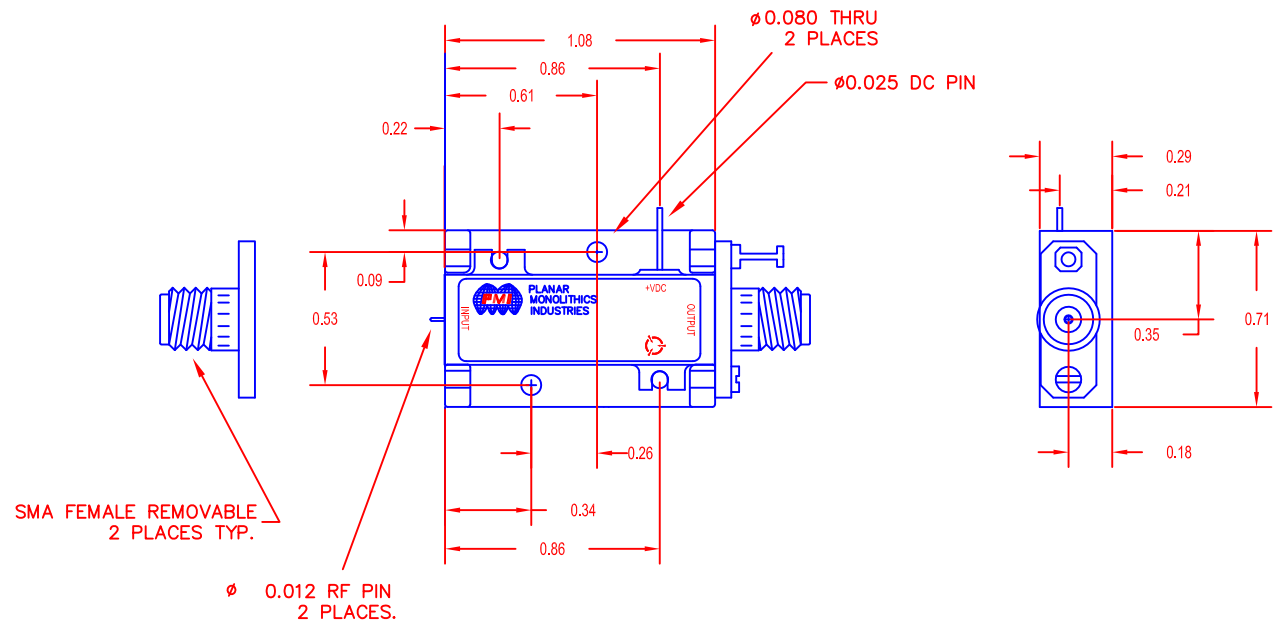
- Various Package types
- Various Connector types
- Temperature Compensation
- Gain and Phase Matching
- MIL-STD-883 Screening Available

Environmental Ratings:

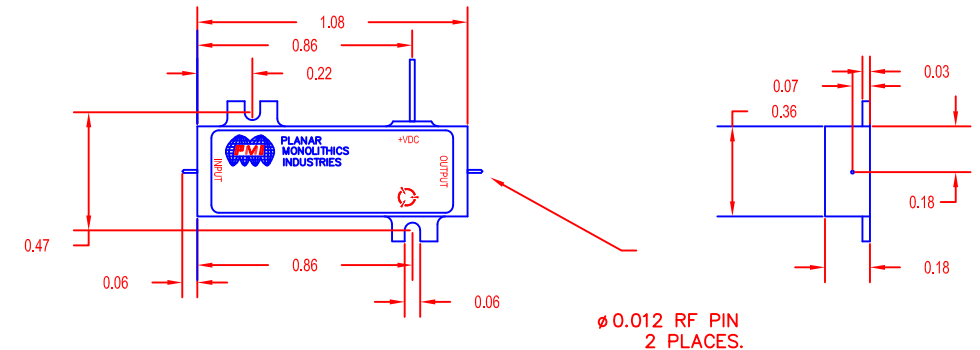
| | |
|--------------------|-----------------------------------|
| Temperature: | -55 to +85 Deg. C (Operating) |
| | -65 to +125 Deg. C (Storage) |
| Humidity: | MIL-STD-202F, METHOD 103B COND B. |
| Shock: | MIL-STD-202F, METHOD 213B COND B. |
| Altitude: | MIL-STD-202F, METHOD 105C COND B. |
| Temperature Cycle: | MIL-STD-202F, METHOD 107D COND A |

Note: The above specifications are subject to change or revision.

PE2 HOUSING WITH CARRIER



PE2 HOUSING WITHOUT CARRIER (SURFACE MOUNT)



UNLESS OTHERWISE SPECIFIED
DIMENSIONS ARE IN INCHES
TOLERANCES ARE:
FRACTIONS DECIMALS ANGLES
± .XX ± 0.010 ±
.XXX ± 0.005

| | | | | |
|-------------------------------|-----------------|-----------|--|--------------------|
| MATERIAL: 6061-T6 Aluminum | PART NO. | | 7311-F GROVE ROAD FREDERICK, MARYLAND | |
| | APPROVALS | DATE | TITLE PE2 Series Amplifier PE2-30-1016-15-SFF | |
| FINISH: GOLD PLATED | DRAWN DPD | 3/9/10 | SIZE B | CAGE CODE 05XQ0 |
| | Modified SFK | 12/10/10 | DWG NO. 27001622 | REV. A |
| DO NOT SCALE DRAWING | | SCALE N/A | | SHEET 1 OF 1 |