

REVISIONS				
ZONE	REV.	DESCRIPTION	DATE	APPROVED
A		ORIGINAL RELEASE	5/15/09	

Description:

Part Number 27310140 (Model Number PE2-32-218-3R5-8-15-SFF) is a 2 - 18 GHz broadband low noise amplifier. This amplifier is supplied in our standard PE2 housing that can be used as a SMA connectorized or a surface mount component.

This model provides the following performance. Data is available upon request.

Specifications:

Frequency Range:	2 to 18 GHz
Gain:	32 dB Min.
Gain Flatness:	+/- 2.0 dB Max.
Noise Figure:	3.5 dB Max.
OP1dB:	8dBm Min.
VSWR Input/Output:	2.0:1 Max.
DC Voltage Supply:	+12 to +15VDC
DC Current Draw:	200 mA Max. (150 mA Typ.)

Features:

- Internal Voltage Regulation
- Unconditional Stability
- Standard Operating Temperature -25 to +85 Deg. C

Available Options:

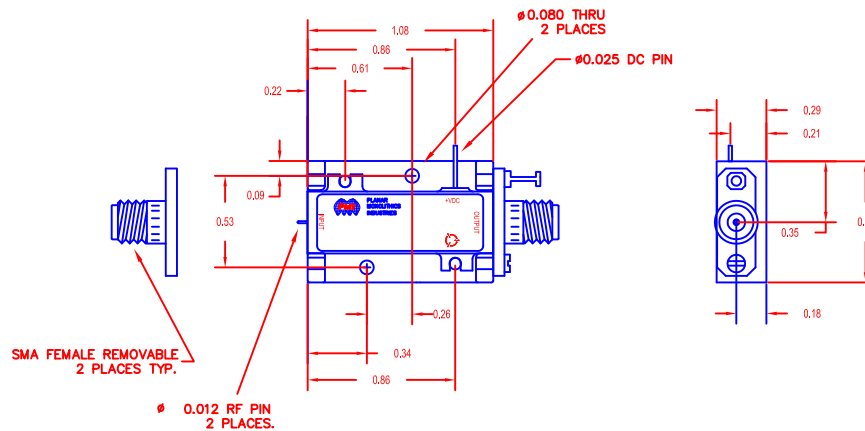
- Various Package types
- Various Connector types
- Temperature Compensation
- Hermetic Sealing
- Gain and Phase Matching
- MIL-STD-883 Screening Available

Environmental Ratings:

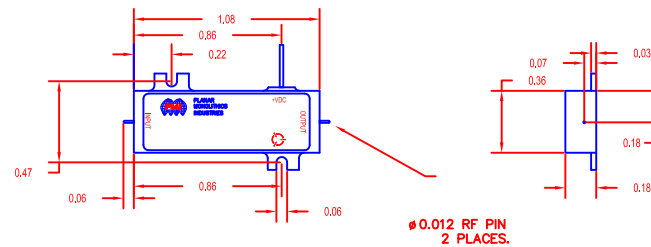
Temperature:	-25 to +85 Deg. C (Operating)
	-55 to +125 Deg. C (Storage)
Humidity:	MIL-STD-202F, METHOD 103B COND B.
Shock:	MIL-STD-202F, METHOD 213B COND B.
Altitude:	MIL-STD-202F, METHOD 105C COND B.
Temperature Cycle:	MIL-STD-202F, METHOD 107D COND A

Note: The above specifications are subject to change or revision.


PE2 HOUSING WITH CARRIER



PE2 HOUSING WITHOUT CARRIER (SURFACE MOUNT)



UNLESS OTHERWISE SPECIFIED
DIMENSIONS ARE IN INCHES
TOLERANCES ARE:
FRACTIONS DECIMALS ANGLES
± .XX ± 0.010 ±
.XXX ± 0.005

PART NO.		APPROVALS		DATE	 7311-F GROVE ROAD FREDERICK, MARYLAND	
MATERIAL:	6061-T6 Aluminum	DRAWN	DPD	5/15/09	TITLE	
FINISH:	Gold Plate over Nickel	CHECKED			PRODUCT FEATURE	
DO NOT SCALE DRAWING		ISSUED			SIZE	REV.
					B 05XQ0	A
					DWG NO.	
					27010142	
					SCALE N/A	SHEET 1 OF 1