

REVISIONS				
ZONE	REV.	DESCRIPTION	DATE	APPROVED
-	-	PRELIMINARY	5/26/20	

**Description:**

PMI Model Number PE2-40-0R218-5R0-12-SFF-TC is a 0.2 to 18.0 GHz low noise amplifier. This amplifier is supplied in our standard PE2 housing that can be used as a SMA connectorized or a surface mount component.

This model provides the following performance. Data is available upon request.

**Specifications:**

Frequency Range:	0.2 to 18.0 GHz
Gain:	+38 to +43 dB
Gain Flatness:	+/- 1.25 dB Max.
Noise Figure:	5.0 dB Max.
Temperature Stability:	+/-1.5 dB Max.
Psat Output:	15 dBm Max.
VSWR Input/Output:	2.0:1 Max.
DC Voltage Supply:	+12 VDC
DC Current Draw:	225 mA Max.
Connectors In/Out	SMA Female

**Features:**

- Internal Voltage Regulation
- Unconditional Stability
- Standard Operating Temperature -55 to +85 Deg. C

**Available Options:**

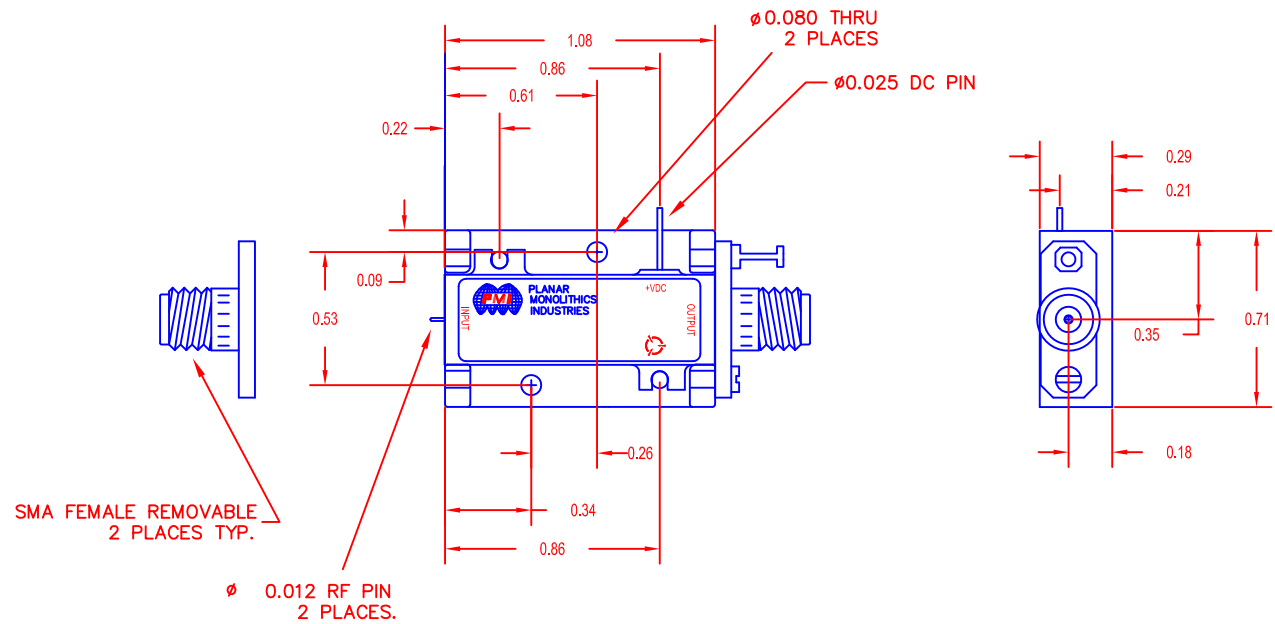
- Various Package types
- Various Connector types
- Temperature Compensation
- Gain and Phase Matching
- MIL-STD-883 Screening Available

**Environmental Ratings:**

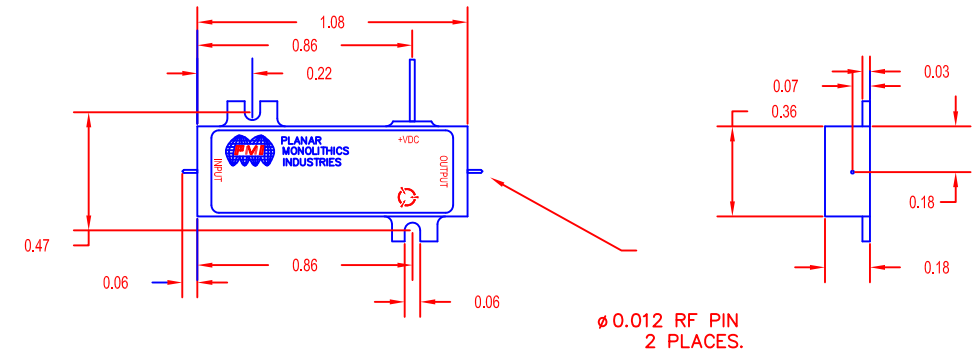
Temperature:	-55 to +85 Deg. C (Operating)
	-55 to +125 Deg. C (Storage)

Note: The above specifications are subject to change or revision.

**PE2 HOUSING WITH CARRIER**



**PE2 HOUSING WITHOUT CARRIER (SURFACE MOUNT)**



UNLESS OTHERWISE SPECIFIED  
DIMENSIONS ARE IN INCHES  
TOLERANCES ARE:  
FRACTIONS    DECIMALS    ANGLES  
                 ±            .XX ± 0.010    ±  
                                .XXX ± 0.005

PART NO.		7311-F GROVE ROAD FREDERICK, MARYLAND	
APPROVALS	DATE	TITLE	
DRAWN CW	5/26/20	PE2 Series Amplifier	
Mod/Rev		PE2-40-0R218-5R0-12-SFF-TC	
ISSUED		SIZE	CAGE CODE
		B	05XQ0
		DWG NO.	PRELIMINARY
DO NOT SCALE DRAWING		SCALE	N/A
		SHEET	1 OF 1