

REVISIONS				
ZONE	REV.	DESCRIPTION	DATE	APPROVED
	A	ORIGINAL RELEASE	12/13/10	

Description:

Part Number 27007102 (Model Number PE2-40-2G2R5G-1R0-15-12-SFF) is a 2.0 to 2.5 GHz low noise amplifier. This amplifier is supplied in our standard PE2 housing that can be used as a SMA connectorized or a surface mount component.

This model provides the following performance. Data is available upon request.

Specifications:

Frequency Range:	2.0 to 2.5 GHz
Gain:	48dB Typ.
Gain Flatness:	+/- 1.0dB Max.
Noise Figure:	1.25dB Max.
OP1dB:	+15dBm Min.
VSWR Input/Output:	1.5/2.0:1 Max.
DC Voltage Supply:	+12 to +15VDC
DC Current Draw:	250mA Max.
Connectors In/Out	SMA Female

Features:

- Internal Voltage Regulation
- Unconditional Stability
- Standard Operating Temperature -55 to +85 Deg. C

Available Options:

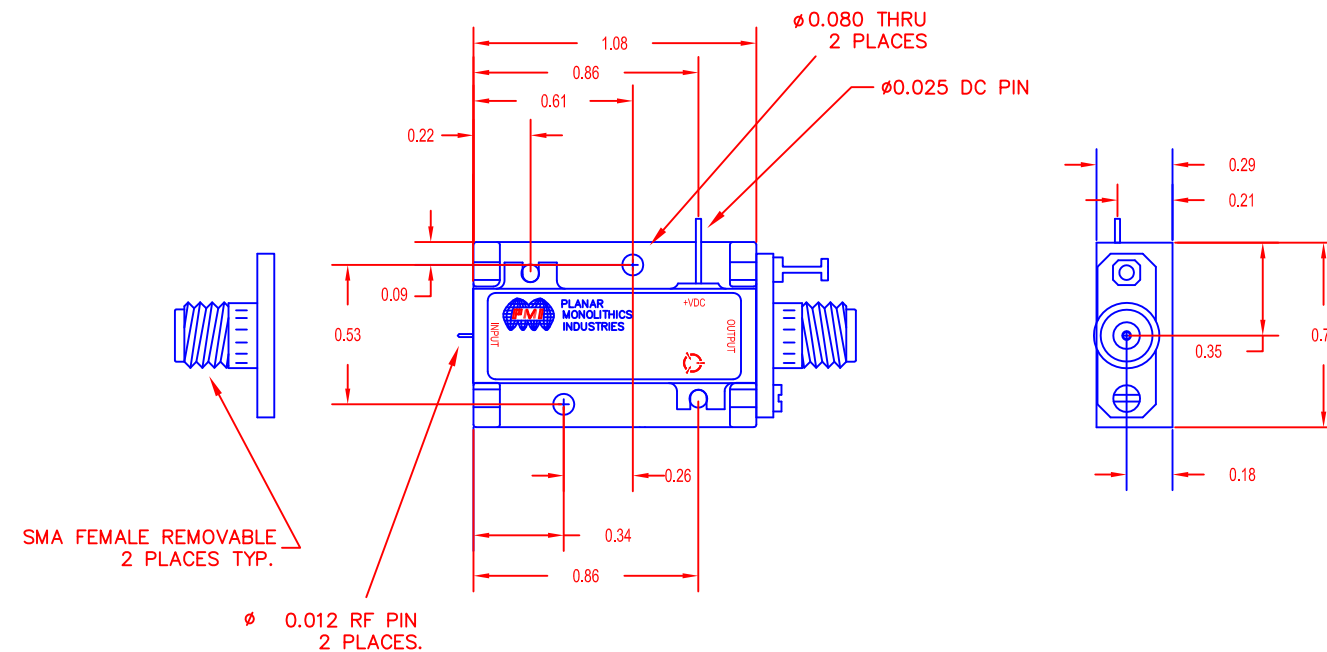
- Various Package types
- Various Connector types
- Temperature Compensation
- Gain and Phase Matching
- MIL-STD-883 Screening Available

Environmental Ratings:

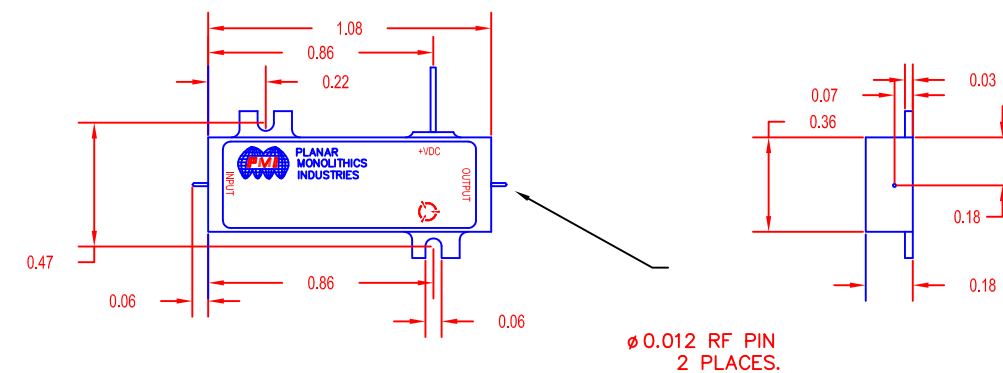
Temperature:	-55 to +85 Deg. C (Operating)
	-65 to +125 Deg. C (Storage)
Humidity:	MIL-STD-202F, METHOD 103B COND B.
Shock:	MIL-STD-202F, METHOD 213B COND B.
Altitude:	MIL-STD-202F, METHOD 105C COND B.
Temperature Cycle:	MIL-STD-202F, METHOD 107D COND A

Note: The above specifications are subject to change or revision.

PE2 HOUSING WITH CARRIER



PE2 HOUSING WITHOUT CARRIER (SURFACE MOUNT)



UNLESS OTHERWISE SPECIFIED
DIMENSIONS ARE IN INCHES
TOLERANCES ARE:
FRACTIONS DECIMALS ANGLES
± .XX ± 0.010 ±
.XXX ± 0.005

PART NO.		7311-F GROVE ROAD FREDERICK, MARYLAND	
APPROVALS	DATE	TITLE	
DPD	3/9/10	PE2 Series Amplifier	
Modified SFK	12/13/10	PE2-40-2G2R5G-1R0-15-12-SFF	
ISSUED		SIZE	REV.
		B	A
		CAGE CODE	DWG NO.
		05XQ0	27007102
		SCALE	SHEET
		N/A	1 OF 1

DO NOT SCALE DRAWING