

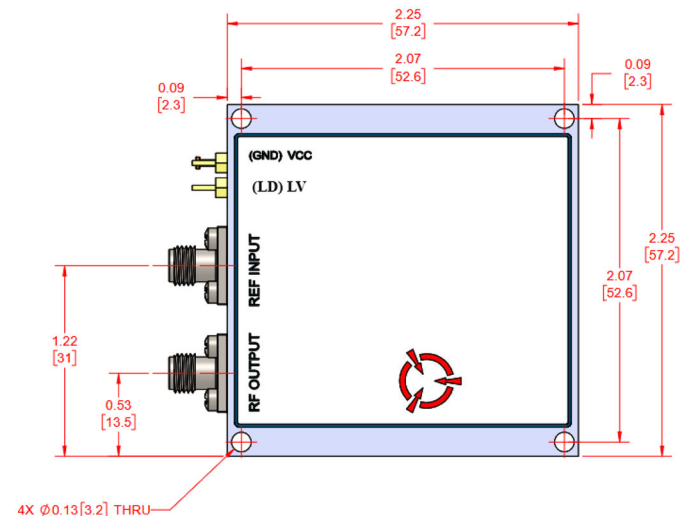
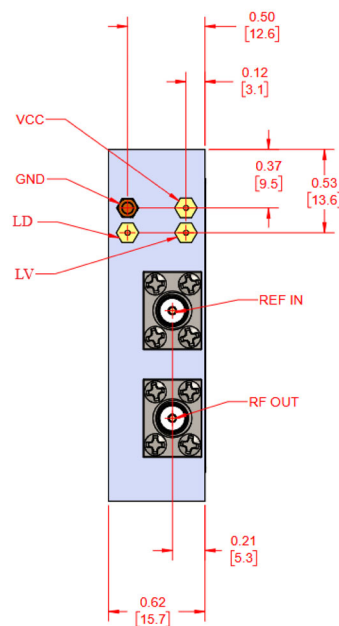
Description:

PMI Model No. PIA-5087D16-CD-1-EXT is a Phase Locked, Dielectric Resonator Oscillator with Internal Reference (PLDRO) covering the frequency of 5.08716 GHz.

REVISIONS				
ZONE	REV.	DESCRIPTION	DATE	APPROVED
	1	UPDATES	3/14/21	
	2	UPDATE MECHANICAL DIMENSIONS	3/30/26	

Specifications:

- Frequency Range: 5.08716 GHz
- Power Output: 13 dBm Min
- VSWR: 1.5:1
- External Reference: 130.44 MHz (0 dBm, +/-3 dBm)
- Frequency Stability: Same as Reference
- Spurious (In Band): <-70 dBc
- Harmonics: <-20 dBc
- Phase Noise @ Offset:
 - 100 Hz: -90 dBc/Hz
 - 1 KHz: -112 dBc/Hz
 - 10 KHz: -120 dBc/Hz
 - 100 KHz: -128 dBc/Hz
 - 1 MHz: -135 dBc/Hz
- Reference Phase Noise:
 - 100 Hz: -128 dBc/Hz
 - 1 KHz: -149 dBc/Hz
 - 10 KHz: -159 dBc/Hz
 - 100 KHz: -162 dBc/Hz
- DC Voltage Supply: +15V
- DC Current Draw: 300mA Max.
- Alarm: TTL ("1" = In Lock / "0" = Out of Lock)
- Connectors: SMA Female
- Finish: Nickel



Environmental Ratings:

- Temperature: -40°C to +75°C (Operating)
..... -54°C to +80°C (Storage)
- Humidity: MIL-STD-202F, METHOD 103B COND B.
- Shock: MIL-STD-202F, METHOD 213B COND B.
- Altitude: MIL-STD-202F, METHOD 105C COND B.
- Temperature Cycle: MIL-STD-202F, METHOD 107D COND A
- Note: The above specifications are subject to change or revision.

ALL DIMENSIONS ARE IN INCHES
TOLERANCES:
X.XX ±0.010
X.XXX ±0.005

CONFIDENTIAL & PROPRIETARY

PLANAR MONOLITHICS INDUSTRIES, INC.

7311-F GROVE ROAD
FREDERICK, MARYLAND 21704 USA
TEL: 301-662-5019 FAX: 301-662-1731
WEBSITE: www.pmi-rf.com
E-MAIL: sales@pmi-rf.com



ISO 9001:2008 CERTIFIED

APPROVALS		DATE	TITLE		
DRAWN SPH		9/3/20	PRODUCT FEATURE PIA-5087D16-CD-1-EXT		
CHECKED			SIZE A	FSCM NO. 05XQ0	DWG NO. PRELIMINARY
ISSUED			SCALE N:S		SHEET 1 OF 1
					REV. 2