

DESCRIPTION:

MODEL NUMBER PIA-FLA-2G18G-4CH IS AN INTEGRATED ASSEMBLY CONSISTING OF FOUR IDENTICAL CHANNELS. EACH CHANNEL FEATURES AN INPUT 2-18 GHz HIGH PASS FILTER, LIMITER AND LOW NOISE AMPLIFIER. THE GAIN IS 23 dB WITH A NOISE FIGURE OF 5 dB, OP1DB OF +15 dBm. THIS MODULE IS DESIGNED TO SURVIVE INPUT POWER LEVELS OF 1 WATT CW, 10 WATTS PEAK WITH 1 us PULSE WIDTH AND 1 kHz PRF.

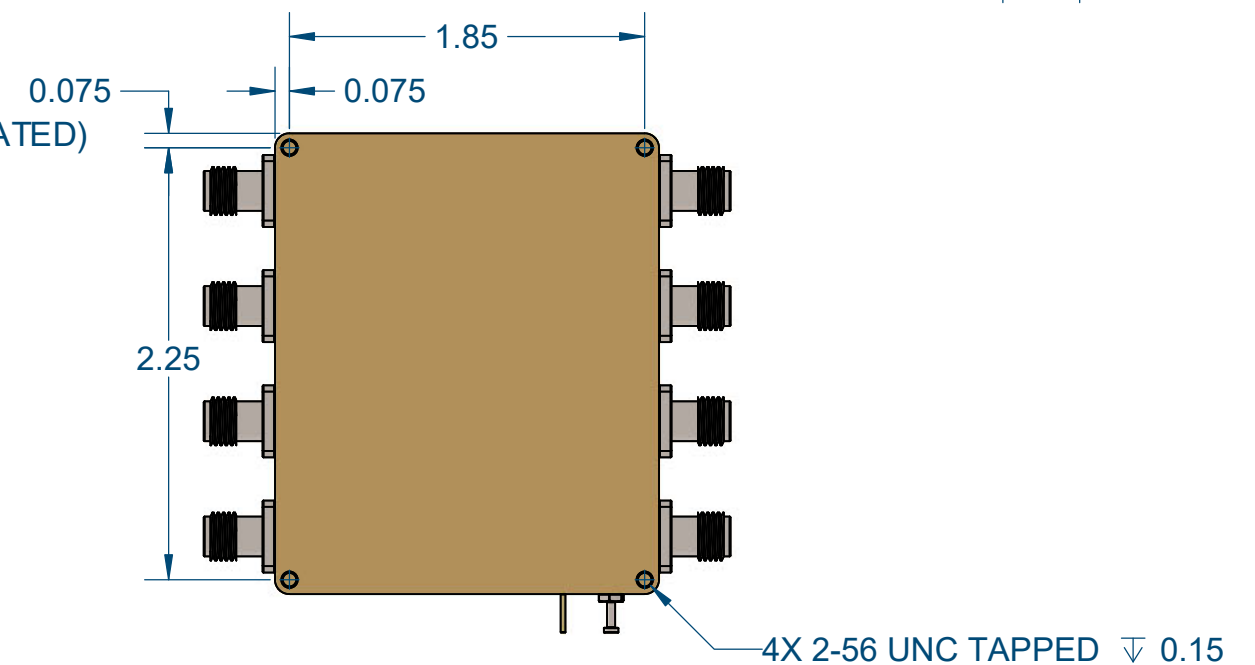
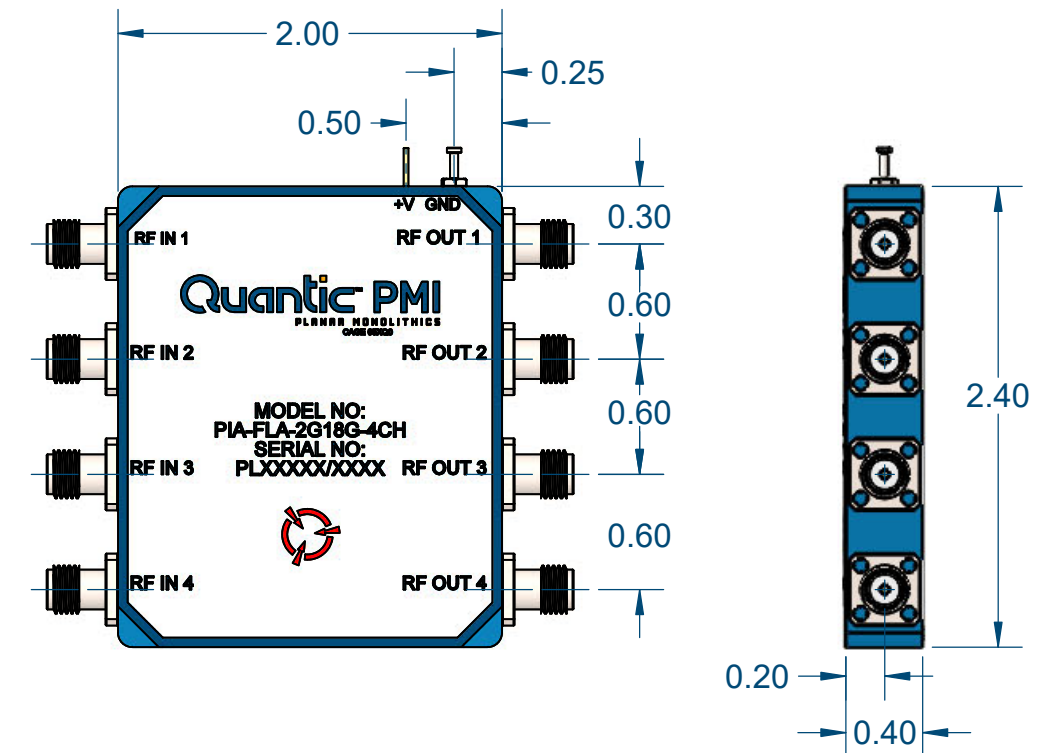
ZONE	REV.	DESCRIPTION	DATE	APPROVED
	1	PRELIMINARY	11/7/2024	

SPECIFICATIONS:

- FREQUENCY RANGE:..... 2.0 TO 18.0 GHz
- GAIN:..... 23 dB TYP
- GAIN FLATNESS:..... ± 1.5 dB TYP
- NOISE FIGURE:..... 5.0 dB MAX
- OP1dB:..... +15 dBm MIN
- OIP3:..... +20 dBm MIN
- VSWR IN/OUT:..... 2.0:1 MAX
- INPUT POWER:..... 1 WATT CW, 10 WATTS PEAK
(1 us PW, 1 kHz PRF)
- CHANNEL - CHANNEL ISOLATION:..... 60 dBc MIN
- FILTER REJECTION:..... -15 dB @ 1700 MHz TYP
-35 dB @ 1500 MHz TYP
-80 dB @ 870 MHz TYP
- CONNECTORS:..... SMA(F)
- DC SUPPLY:..... 500 mA @ + 12 TO + 15 VDC TYP
- FINISH:..... PAINTED BLUE
(MOUNTING SURFACE UNPAINTED AND GOLD PLATED)

ENVIRONMENTAL RATINGS:

- TEMPERATURE:..... -55°C TO +85°C (OPERATING)
-65°C TO +125°C (STORAGE)
- HUMIDITY:..... MIL-STD-202, METHOD 103B COND. B
- SHOCK:..... MIL-STD-202, METHOD 213B COND. B
- VIBRATION:..... MIL-STD-202, METHOD 204D COND. B
- ALTITUDE:..... MIL-STD-202, METHOD 105C COND. B
- TEMPERATURE CYCLE:..... MIL-STD-202, METHOD 107D COND. A



PMI CONFIDENTIAL AND PROPRIETARY



7309-A GROVE ROAD FREDERICK MARYLAND 21704 USA
TEL: (301) 662-5019, FAX: (301) 662-1731
WEB: WWW.QUANTICPMI.COM, EMAIL: SALES@QUANTICPMI.COM
ISO 9001 CERTIFIED

APPROVALS	DATE
DRAWN M LAULIS REDRAWN	11/7/2024
ISSUED	

TITLE			
OUTLINE			
PIA-FLA-2G18G-4CH			
SIZE	FSCM NO.	DWG NO.	REV.
B	05XQ0	PRELIMINARY	1
SCALE 1:1			SHEET 1 OF 1

UNLESS OTHERWISE SPECIFIED
DIMENSIONS ARE IN INCHES
TOLERANCES ARE:
FRACTIONS DECIMALS ANGLES
± .XX ± 0.02 ±
± .XXX ± 0.01

NOTE: SPECIFICATIONS WILL VARY OVER TEMPERATURE
NOTE: THE ABOVE SPECIFICATIONS ARE SUBJECT TO CHANGE OR REVISION