

REVISIONS				
ZONE	REV.	DESCRIPTION	DATE	APPROVED
	A	ORIGINAL RELEASE	12/10/10	

### Description:

Part Number 27000422 (Model Number PM2-814-17-15-SFF) is a 8 to 14 GHz low noise amplifier. This amplifier is supplied in our standard PE2 housing that can be used as a SMA connectorized or a surface mount component.

This model provides the following performance. Data is available upon request.

### Specifications:

Frequency Range:	8 to 14 GHz
Gain:	17dB Typ.
Gain Flatness:	+/- 1.2dB Max.
Noise Figure:	7.0dB Max.
OP1dB:	+20dBm Min.
VSWR Input/Output:	2.5:1 Max.
DC Voltage Supply:	+12 to +15VDC
DC Current Draw:	290mA Max.
Connectors In/Out	SMA Female

### Features:

- Internal Voltage Regulation
- Unconditional Stability
- Standard Operating Temperature -55 to +85 Deg. C

### Available Options:

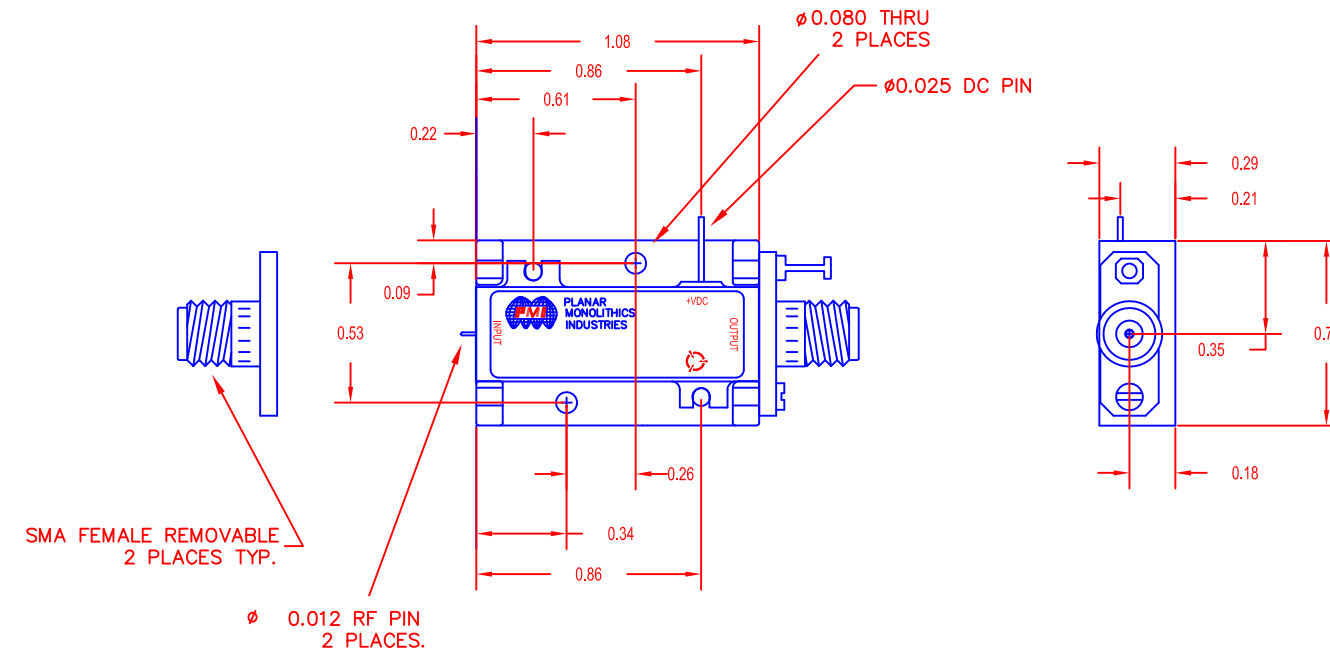
- Various Package types
- Various Connector types
- Temperature Compensation
- Gain and Phase Matching
- MIL-STD-883 Screening Available

### Environmental Ratings:

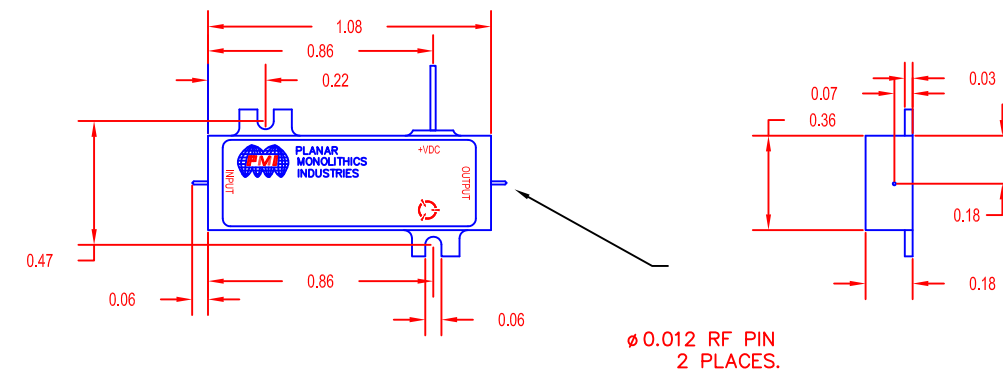
Temperature:	-55 to +85 Deg. C (Operating)
	-65 to +125 Deg. C (Storage)
Humidity:	MIL-STD-202F, METHOD 103B COND B.
Shock:	MIL-STD-202F, METHOD 213B COND B.
Altitude:	MIL-STD-202F, METHOD 105C COND B.
Temperature Cycle:	MIL-STD-202F, METHOD 107D COND A

Note: The above specifications are subject to change or revision.

### PE2 HOUSING WITH CARRIER



### PE2 HOUSING WITHOUT CARRIER (SURFACE MOUNT)



UNLESS OTHERWISE SPECIFIED  
DIMENSIONS ARE IN INCHES  
TOLERANCES ARE:  
FRACTIONS    DECIMALS    ANGLES  
                 ±            .XX ± 0.010            ±  
   .XXX ± 0.005

PART NO.		<b>PLANAR MONOLITHICS INDUSTRIES, INC.</b> 7311-F GROVE ROAD FREDERICK, MARYLAND 21704 USA TEL: 301-662-5019 FAX: 301-662-1731 ISO 9001:2008 CERTIFIED WEBSITE: www.pmi-rf.com E-MAIL: sales@pmi-rf.com		
APPROVALS		DATE		TITLE PE2 Series Amplifier PM2-814-17-15-SFF
DRAWN		3/9/10		
Modified		SFK 12/10/10		
ISSUED				SIZE B CAGE CODE 05XQ0 DWG NO. 27000422 REV. A
MATERIAL:		6061-T6 Aluminum		SCALE N/A SHEET 1 OF 1
FINISH:		GOLD PLATED		
DO NOT SCALE DRAWING				

CONFIDENTIAL AND PROPRIETARY