



Planar Monolithics Industries, Inc.

Integrated RF/Microwave Assemblies & Modules

PMI offers the highest quality multi-function modules and integrated microwave assemblies for industrial and military applications in frequency ranges up to 50 GHz. Built to your specifications with functions that include amplification, attenuation, filtering, switching, phase shifting, power detection, modulation, coupling, limiting and digital/analog control. PMI offers many other standard models with various options that are available at: <https://www.pmi-rf.com/categories/integrated-mic-mmhc-assemblies>

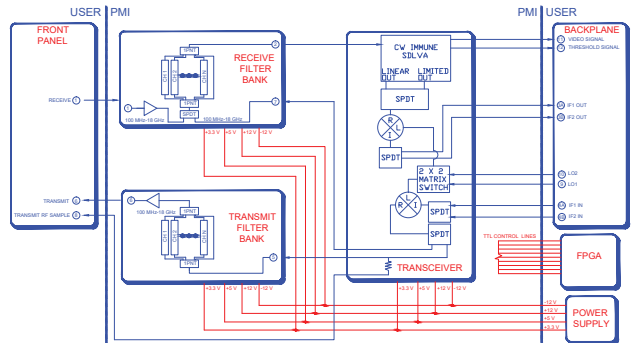
PTRAN-100M18G-SDLVA-SFB-3UVPX-10HP-MAH-MX

<https://www.pmi-rf.com/product-details/ptran-100m18g-sdlva-sfb-3uvp-10hp-mah-mx>



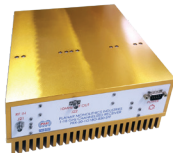
PMI Model No. PTRAN-100M18G-SDLVA-SFB-3UVPX-10HP-MAH-MX is a transceiver that covers the frequency range of 100 MHz to 18.0 GHz and fits into a 3U open VPX form factor utilizing the high speed VITA 67 RF connector. This unit up-converts a 100 MHz to 4.0 GHz transmit signal to the 2.0 to 18.0 GHz range and down-converts a 100 MHz to 18.0 GHz received signal to the 100 MHz to 4.0 GHz intermediate frequency range for analog to digital conversion. A receive filter bank incorporates a 2-way absorptive switch to select an input, along with two 6-way switches allowing one of six filter paths to be chosen. A filter bank is used also on the transmit path, with two 6-way switches allowing one of six filter paths to be chosen. The unit is designed to attach to an FPGA controller card allowing for a total solution in a 10 HP (2") form factor.

- 100 MHz to 18.0 GHz Transceiver
- Integrated Up and Down Converters
- IF up to 4 GHz
- Time Gated SDLVA for Pulse Blanking
- -80 to -10 dBm Input Dynamic Range
- Customizable Switched Filter Banks
- 0 to +10 dBm Transmit Power
- 100 ns Switching Speed
- Less than 30W Power Consumption
- Customizable Switch Filter Banks
- Over 100 dB of Isolation between Tx and Rx
- 300% smaller than individual single function components
- Fits into a 3U open VPX form factor utilizing the high speed VITA 67 RF connector.
- CW Immunity
- Unit Size: 6.299" x 3.937" x 1.915"



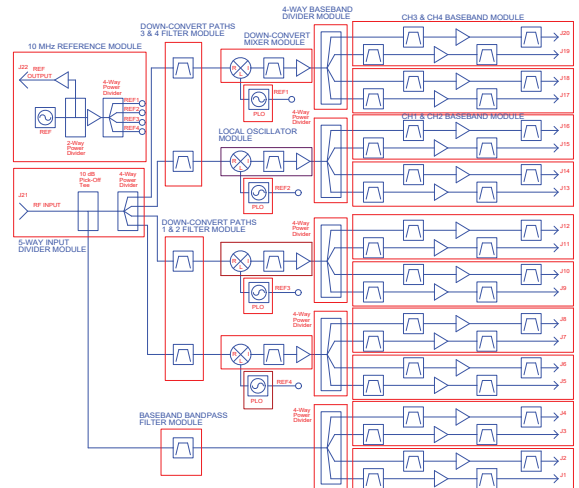
PRX-20-1G18G-850M-SFF

<https://www.pmi-rf.com/product-details/prx-20-1g18g-850m-sff>



PMI has developed a channelized receiver covering 1 to 18 GHz instantaneously in 20 channels. IF frequencies between 1 and 4.4 GHz are output and ready to be digitized. The receiver is designed to cover a 60 dB dynamic range using a built-in internal 10 MHz reference to lock the internal LO's used in down-converting the signal into the necessary frequency bands. The reference is also output at a +20 dBm level to be used for synchronization. All of this state-of-the-art functionality is packaged in a 10" x 8" x 3" package consuming around 50 Watts of power.

- 1.0 to 18.0 GHz Channelized Receiver
- -58 to +2 dBm Input Dynamic Range
- 60 dB Output Spurios Free Dynamic Range
- 20 Output Channels, IF Frequencies of 850 MHz BW from 1 to 4.4 GHz (4 Filtered Thru Path and 16 Down-Converted Paths)
- Overall Gain of 0 dB +/-3 dB
- 10 MHz Output Reference with output stability of +/-1 PPM
- Input and Output SMA RF Connectors and 9 Pin D-Sub male for Power
- Less than 50 W Power Consumption
- Unit size : 10.0" x 8.0" x 3.0"



Amplifiers - Solid State

Attenuators - Variable/
Programmable

Bi-Phase Modulators

Couplers (Quadrature, 180,
Directional)

Detectors - RF / Microwave
DLVAs, ERLVAs & SDLVAs

Filters & Switched Filter
Banks

Form, Fit, Functional
Products & Services

Frequency Converters

Frequency Sources

Frequency Discriminators
& IFM

Frequency Synthesizers
Gain & Loss Equalizers

Integrated MIC/MMIC
Assemblies (IMAs)

IQ Vector Modulators

Limiters - RF / Microwave
Log Amps

Miscellaneous Products

Monopulse Comparators

Multifunction Integrated
Assemblies (IMAs)

Phase Shifters & Bi-Phase
Modulators

Power Dividers/Combiners
(Passive & Active)

Pulse Modulators - SP1T

Rack & Chassis Mount
Products

Receiver Front Ends &
Transceivers

Single Side Band
Modulators

SMT & QFN Products

Switch Matrices

Switch Filter Banks

Switches - Solid-State

Systems - Radar Sense &
Avoid

Systems - Fly Eye Radar

Threshold Detectors

USB Products



West Coast Operation:
4921 Robert J. Mathews Pkwy, Suite 1
El Dorado Hills, CA 95762 USA
Tel: 916-542-1401, Fax: 916-265-2597

East Coast Operation:
7311-F Grove Road
Frederick, MD 21704 USA
Tel: 301-662-5019, Fax: 301-662-1731

sales@pmi-rf.com . www.pmi-rf.com
ISO9001-2015 REGISTERED

