

DESCRIPTION:

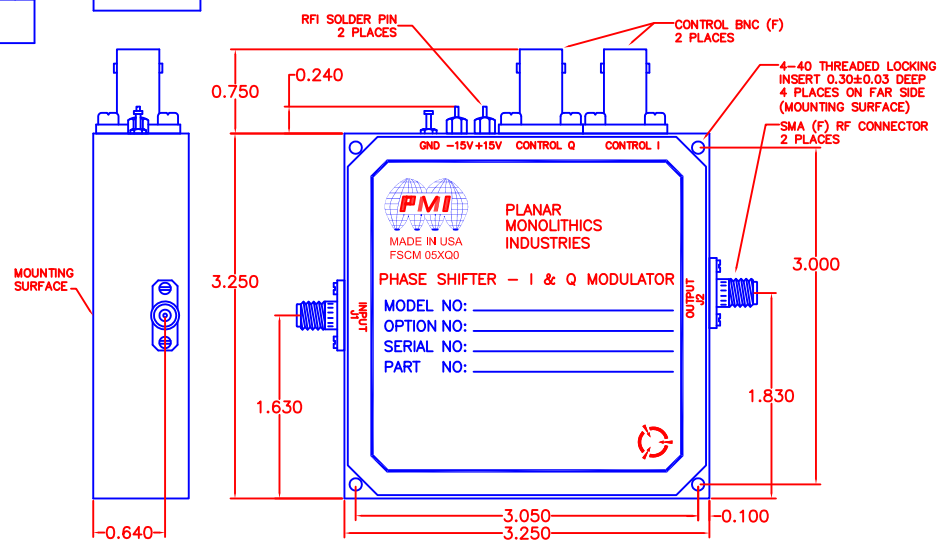
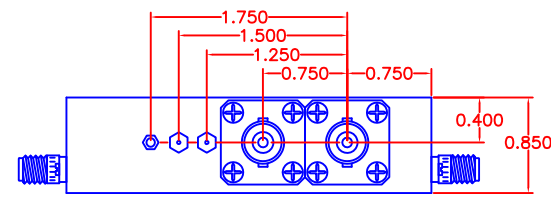
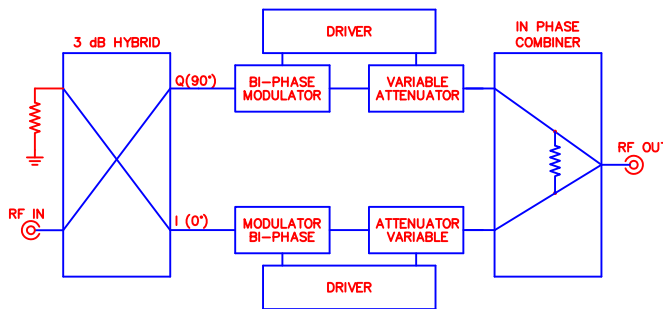
PMI MODEL PS-360-AC, OPTION 910, 7224, IQ RH, IS A 9-10 GHz 10 VOLT ANALOG CONTROLLED HIGH SPEED IQ VECTOR MODULATOR. THIS PRODUCT IS DESIGNED TO HAVE LOW SPURIOUS HARMONICS, 20 dB OF ATTENUATION RANGE AND 360 DEGREES OF PHASE SHIFT. THIS MODEL ALSO FEATURES FEMALE BNC ANALOG I AND Q INPUTS, MAKING IT IDEAL FOR HIGH SPEED FREQUENCY TRANSLATION APPLICATIONS.

REVISIONS				
ZONE	REV.	DESCRIPTION	DATE	APPROVED
	1	PRELIMINARY RELEASE	10/10/14	

SPECIFICATIONS

- FREQUENCY RANGE: _____ 9 GHz TO 10 GHz
- INSERTION LOSS: _____ 12 dB MAXIMUM
- VSWR: _____ 2 :1 MAXIMUM
- ATTENUATION RANGE: _____ 20 dB TYPICAL
- PHASE RANGE: _____ 360°
- INPUT POWER: _____ 15 dBm (OPERATING)
 (SURVIVAL -65°C TO +25°C) _____ 30 dBm MAXIMUM
- I & Q CONTROL INPUTS: _____ 0 TO +10V
- RESPONSE TIME (MAX): _____ 0.5 usec MAXIMUM, 50 nsec TYPICAL
- POWER SUPPLY: _____ ±12 to 15 VOLTS
 @ ±150 mA MAXIMUM
- CONNECTORS:
 RF INPUT/OUTPUT: _____ SMA FEMALE
 POWER: _____ SOLDER PIN
 CONTROL: _____ BNC FEMALE
- CONTROL INPUT IMPEDANCE: _____ 10 K OHMS
- SIZE: _____ 3.25" x 3.25" x 0.85"
- FINISH: _____ BLUE EPOXY POLIMIDE COATING IAW MIL-C-22750,
 TYPE I OVER EPOXY POLIMIDE PRIMER
 IAW MIL-P-23377, TYPE I, CLASS 1 OR 3.

FUNCTIONAL SCHEMATIC



PMI CONFIDENTIAL AND PROPRIETARY

ENVIRONMENTAL RATINGS:

- TEMPERATURE: _____ -40°C TO +85°C (OPERATING)
 _____ -65°C TO +125°C (STORAGE)
- HUMIDITY: _____ MIL-STD-202F, METHOD 103B COND. B
- SHOCK: _____ MIL-STD-202F, METHOD 213B COND. B
- VIBRATION: _____ MIL-STD-202F, METHOD 204D COND. B
- ALTITUDE: _____ MIL-STD-202F, METHOD 105C COND. B
- TEMPERATURE CYCLE: _____ MIL-STD-202F, METHOD 107

NOTE: SPECIFICATIONS WILL VARY OVER OPERATING TEMPERATURE
 NOTE: THE ABOVE SPECIFICATIONS ARE SUBJECT TO CHANGE OR REVISION

ALL DIMENSIONS ARE IN INCHES
 TOLERANCES:
 X.XX ±0.020
 X.XXX ±0.010

PLANAR MONOLITHICS INDUSTRIES, INC.

7311-F GROVE ROAD
 FREDERICK, MARYLAND 21704 USA
 TEL: 301-662-5019 FAX: 301-662-1731
 WEBSITE: www.pmi-rf.com
 E-MAIL: sales@pmi-rf.com
 ISO 9001 CERTIFIED



APPROVALS		DATE	TITLE			
DRAWN <i>PJK</i>		10/10/14	PRODUCT FEATURE			
CHECKED			PS-360-AC OPTION 910, 7224, IQ RH			
ISSUED			SIZE	FSCM NO.	DWG NO.	REV.
			A	05XQ0	270XXXXX	1
			SCALE	SHEET		
			N:S	1 OF 1		