

**DESCRIPTION:**

PMI MODEL NUMBER PSM-500M1D5G-8X8-60DB-ENET-3U-SFF IS A 16 PORT NON-BLOCKING SWITCH MATRIX WITH 8 INPUT PORTS AND 8 OUTPUT PORTS COVERING 500 MHz TO 1.5 GHz. EACH PATH HAS 25 dB TYPICAL INSERTION LOSS WITH UP TO 60 dB VARIABLE ATTENUATION IN 1 dB STEPS. ETHERNET CONTROL SETS THE ATTENUATION LEVELS FOR EACH PATH. A GRAPHICAL USER INTERFACE IS ALSO INCLUDED TO CONTROL THE MATRIX SWITCH FROM A WINDOWS PC.

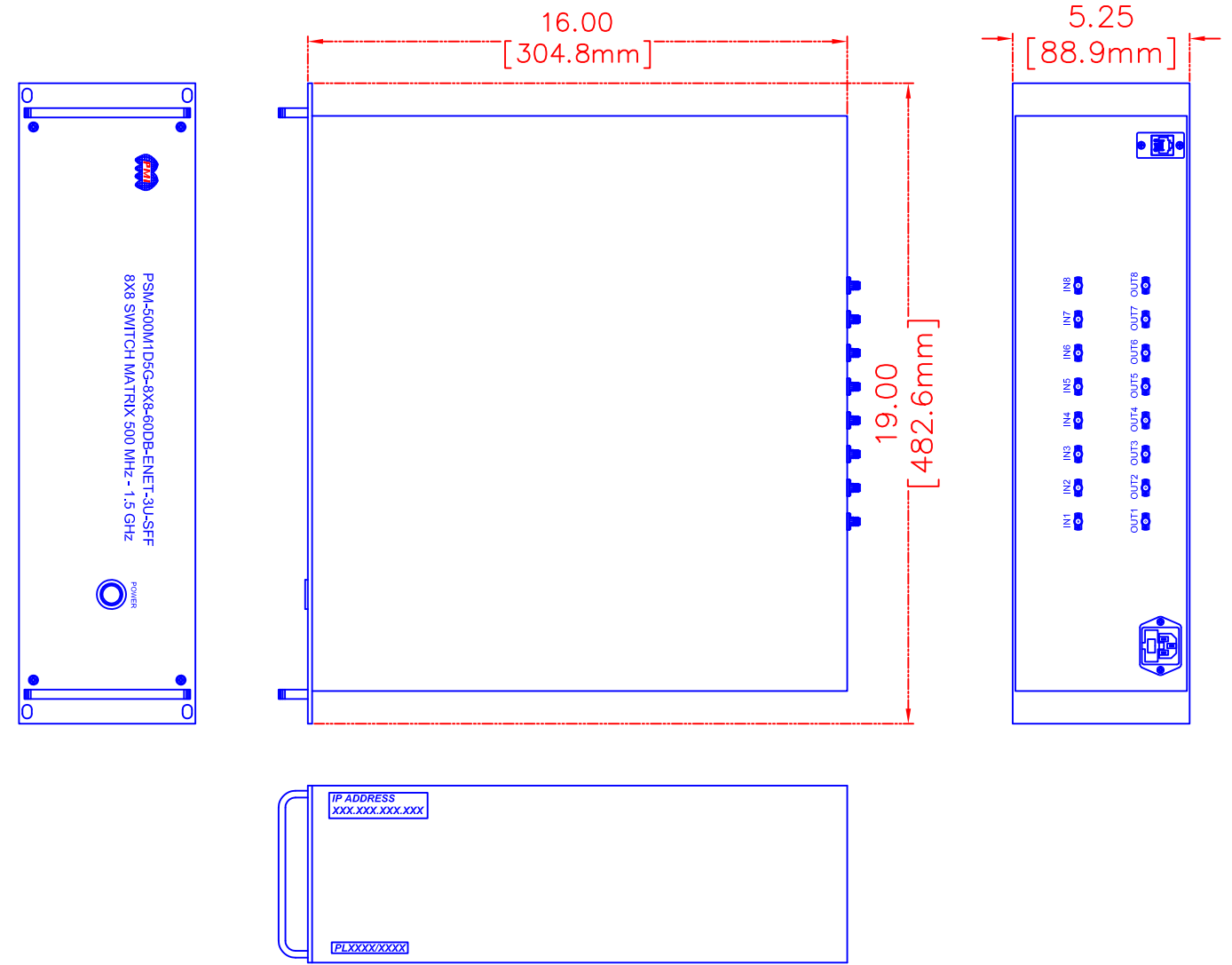
**SPECIFICATIONS:**

- FREQUENCY RANGE: 500 MHz TO 1.5 GHz
- NUMBER OF PORTS: 16 (8 INPUTS, 8 OUTPUTS)
- INSERTION LOSS (0 dB ATTENUATION): 25 dB TYPICAL
- VARIABLE PATH ATTENUATION: 0 TO 60 dB NOMINAL
- ATTENUATION STEP SIZE: 1 dB NOMINAL
- RF INPUT POWER: +20 dBm MAXIMUM
- SWITCH / ATTENUATOR CONTROL: ETHERNET CONTROL
- CONNECTORS: SMA (F)
- POWER SUPPLY: 110VAC, 60 Hz  
FUSE PROTECTION INCLUDED
- SIZE: 3U 19" RACKMOUNT CHASSIS
- FINISH: POWDER COATED BLUE

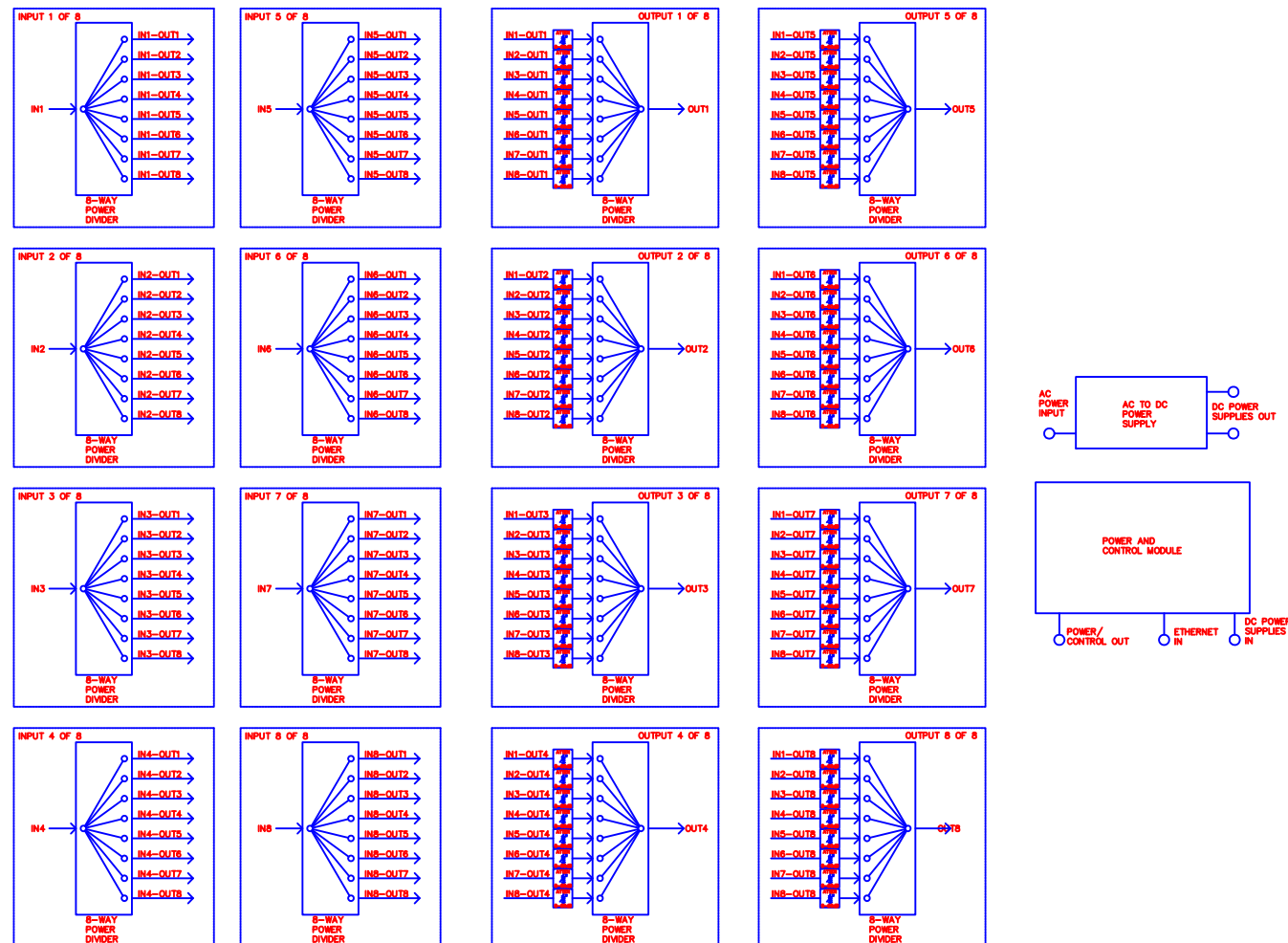
**ENVIRONMENTAL RATINGS:**

- OPERATING TEMPERATURE: 10° TO 40° C

REVISIONS				
ZONE	REV.	DESCRIPTION	DATE	APPROVED
	1	PRELIMINARY	10/5/21	
	2	UPDATED	10/5/21	



**CONCEPTUAL BLOCK DIAGRAM:**



NOTE: THE ABOVE SPECIFICATIONS ARE SUBJECT TO CHANGE OR REVISION

PMI CONFIDENTIAL AND PROPRIETARY

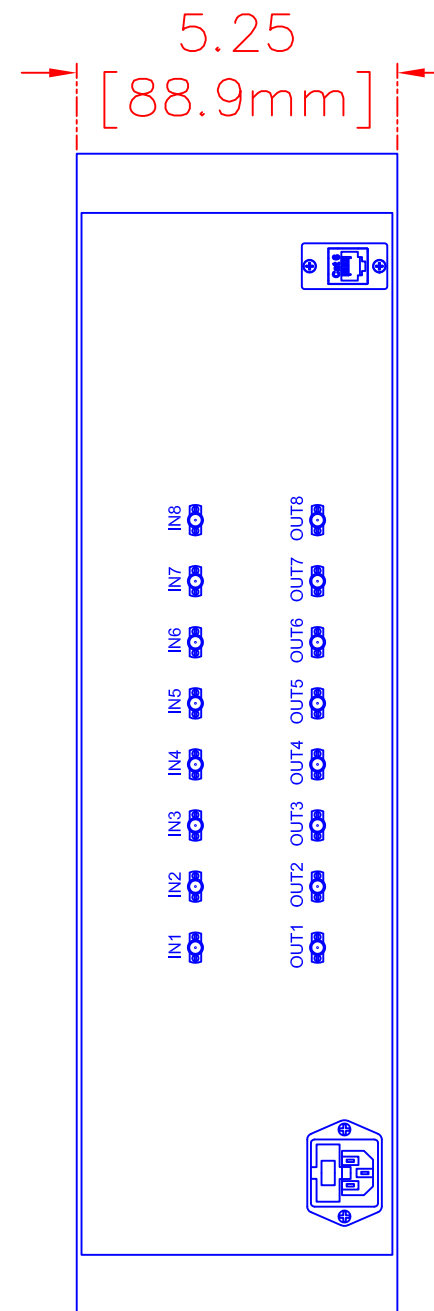
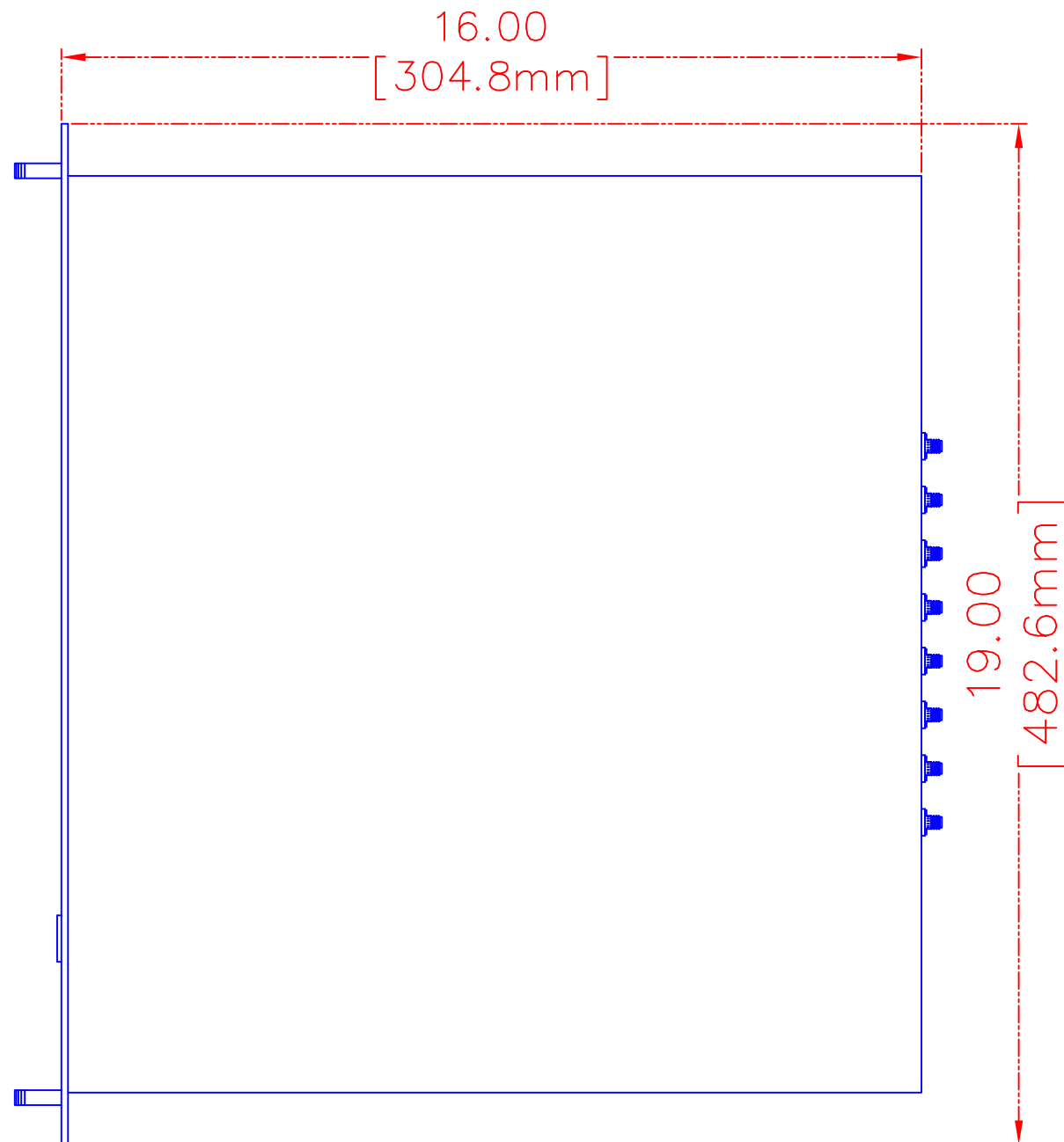
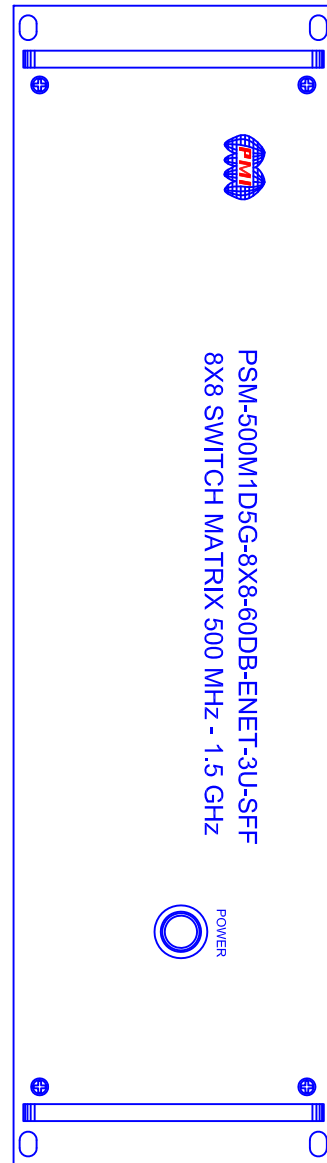
**PLANAR MONOLITHICS INDUSTRIES, INC.**  
 7311-F GROVE ROAD  
 FREDERICK, MARYLAND 21704 USA  
 TEL: 301-662-5019 FAX: 301-662-1731  
 WEBSITE: [www.pmi-rf.com](http://www.pmi-rf.com)  
 E-MAIL: [sales@pmi-rf.com](mailto:sales@pmi-rf.com)  
 ISO 9001 CERTIFIED



ALL DIMENSIONS ARE IN INCHES  
 TOLERANCES:  
 X.XX ±0.020  
 X.XXX ±0.010

APPROVALS		DATE	TITLE		
DRAWN <i>DPD</i>		10/5/21	PRODUCT FEATURE		
CHECKED			PSM-500M1D5G-8X8-60DB-ENET-3U-SFF		
ISSUED			SIZE	FSCM NO.	DWG NO.
			B	05XQ0	PRELIMINARY
			SCALE	N:S	REV. 2
					SHEET 1 OF 3

# MECHANICAL OUTLINE:



PMI CONFIDENTIAL AND PROPRIETARY

## PLANAR MONOLITHICS INDUSTRIES, INC.

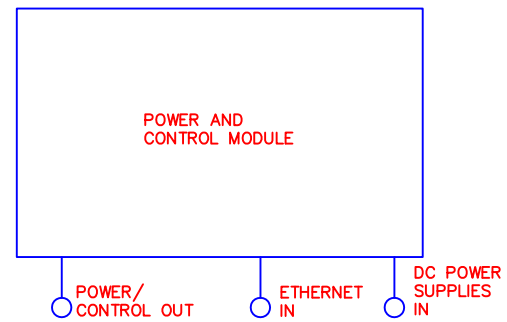
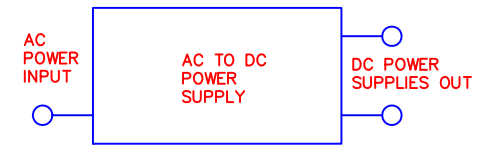
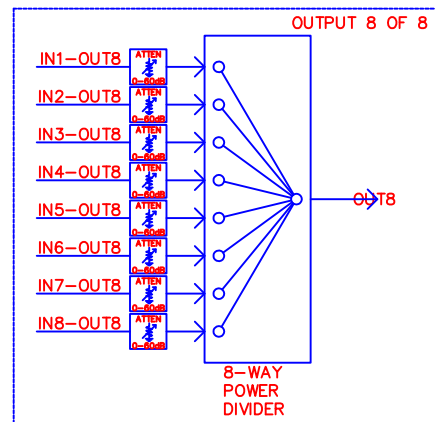
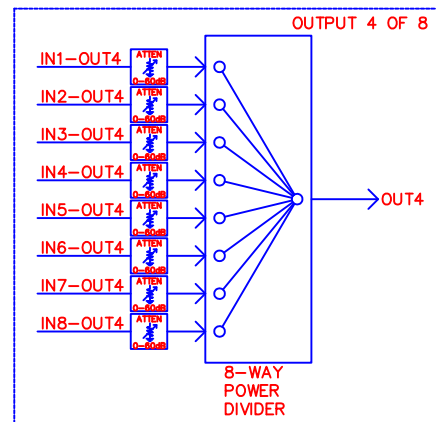
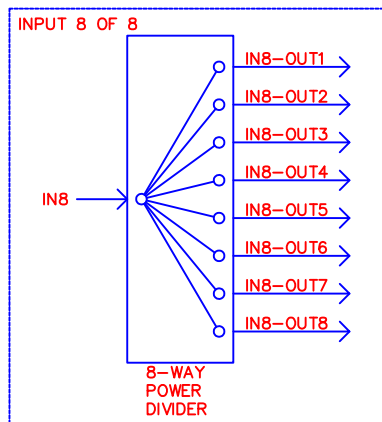
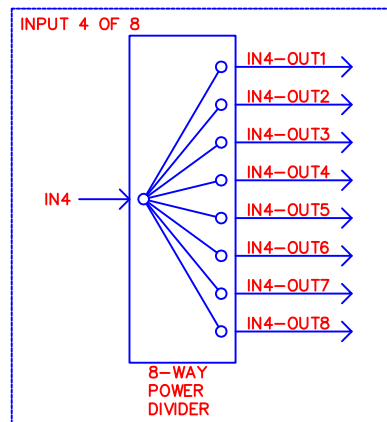
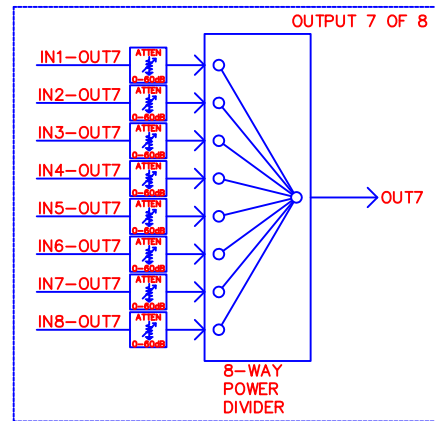
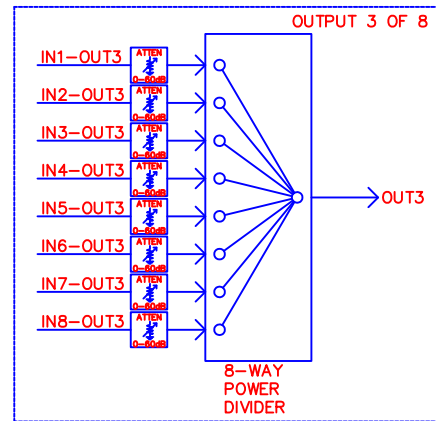
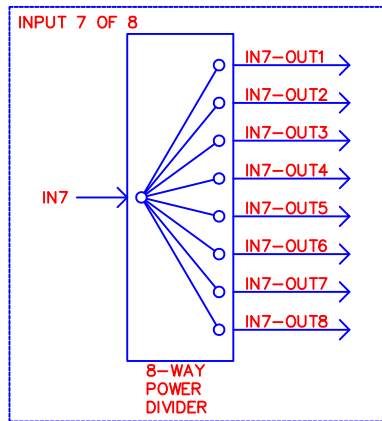
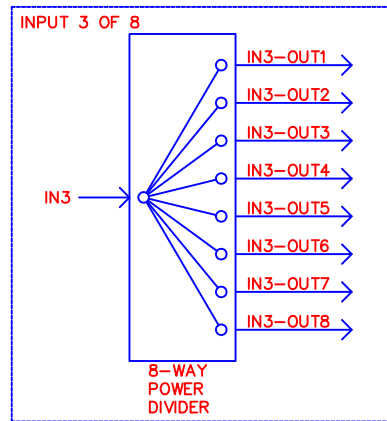
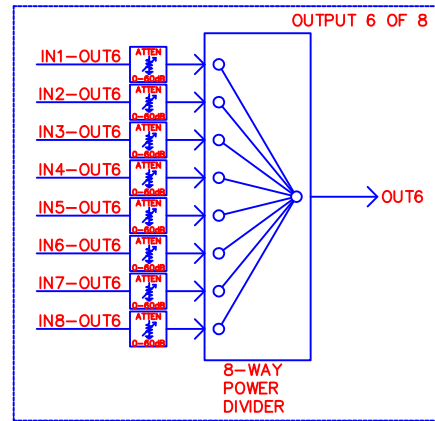
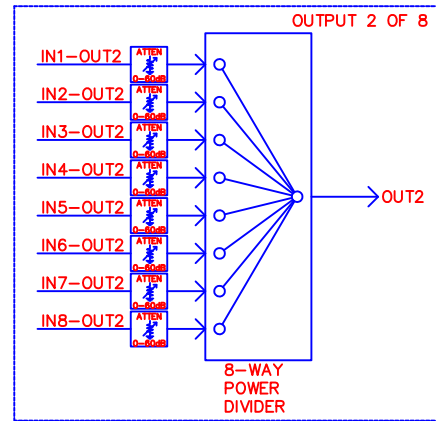
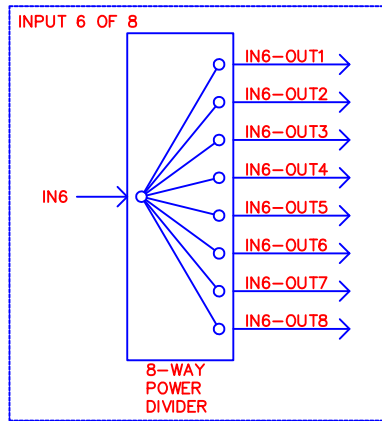
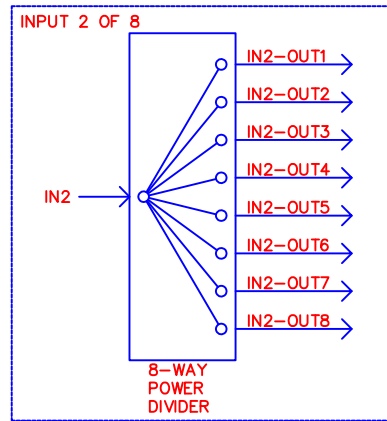
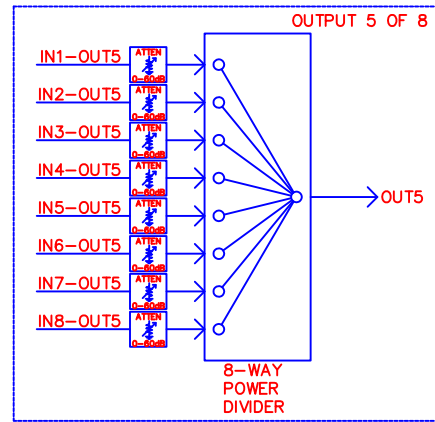
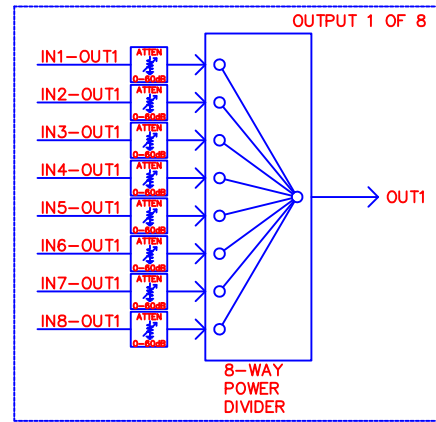
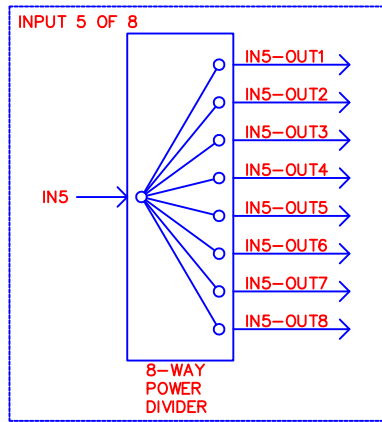
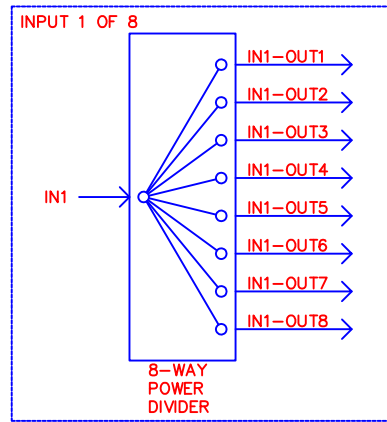
7311-F GROVE ROAD  
 FREDERICK, MARYLAND 21704 USA  
 TEL: 301-662-5019 FAX: 301-662-1731  
 WEBSITE: [www.pmi-rf.com](http://www.pmi-rf.com)  
 E-MAIL: [sales@pmi-rf.com](mailto:sales@pmi-rf.com)  
 ISO 9001 CERTIFIED



APPROVALS		DATE	TITLE		
DRAWN <i>DPD</i>		10/5/21	PRODUCT FEATURE		
CHECKED			SIZE	FSCM NO.	DWG NO.
ISSUED			B	05XQ0	PRELIMINARY
ALL DIMENSIONS ARE IN INCHES TOLERANCES: X.XX ±0.020 X.XXX ±0.010			SCALE	N:S	SHEET 2 OF 3

NOTE: THE ABOVE SPECIFICATIONS ARE SUBJECT TO CHANGE OR REVISION

# CONCEPTUAL BLOCK DIAGRAM:



PMI CONFIDENTIAL AND PROPRIETARY

**PLANAR MONOLITHICS INDUSTRIES, INC.**

7311-F GROVE ROAD  
FREDERICK, MARYLAND 21704 USA  
TEL: 301-662-5019 FAX: 301-662-1731  
WEBSITE: [www.pmi-rf.com](http://www.pmi-rf.com)  
E-MAIL: [sales@pmi-rf.com](mailto:sales@pmi-rf.com)  
ISO 9001 CERTIFIED



ALL DIMENSIONS ARE IN INCHES  
TOLERANCES:  
X.XX ±0.020  
X.XXX ±0.010

APPROVALS		DATE	TITLE		
DRAWN <i>DPD</i>		10/5/21	PRODUCT FEATURE		
CHECKED			SIZE B	FSCM NO. 05XQ0	DWG NO. PRELIMINARY
ISSUED			SCALE N:S		REV. 2
					SHEET 3 OF 3

NOTE: THE ABOVE SPECIFICATIONS ARE SUBJECT TO CHANGE OR REVISION