

REVISIONS				
ZONE	REV.	DESCRIPTION	DATE	APPROVED
	A	ORIGINAL RELEASE	11/2/09	

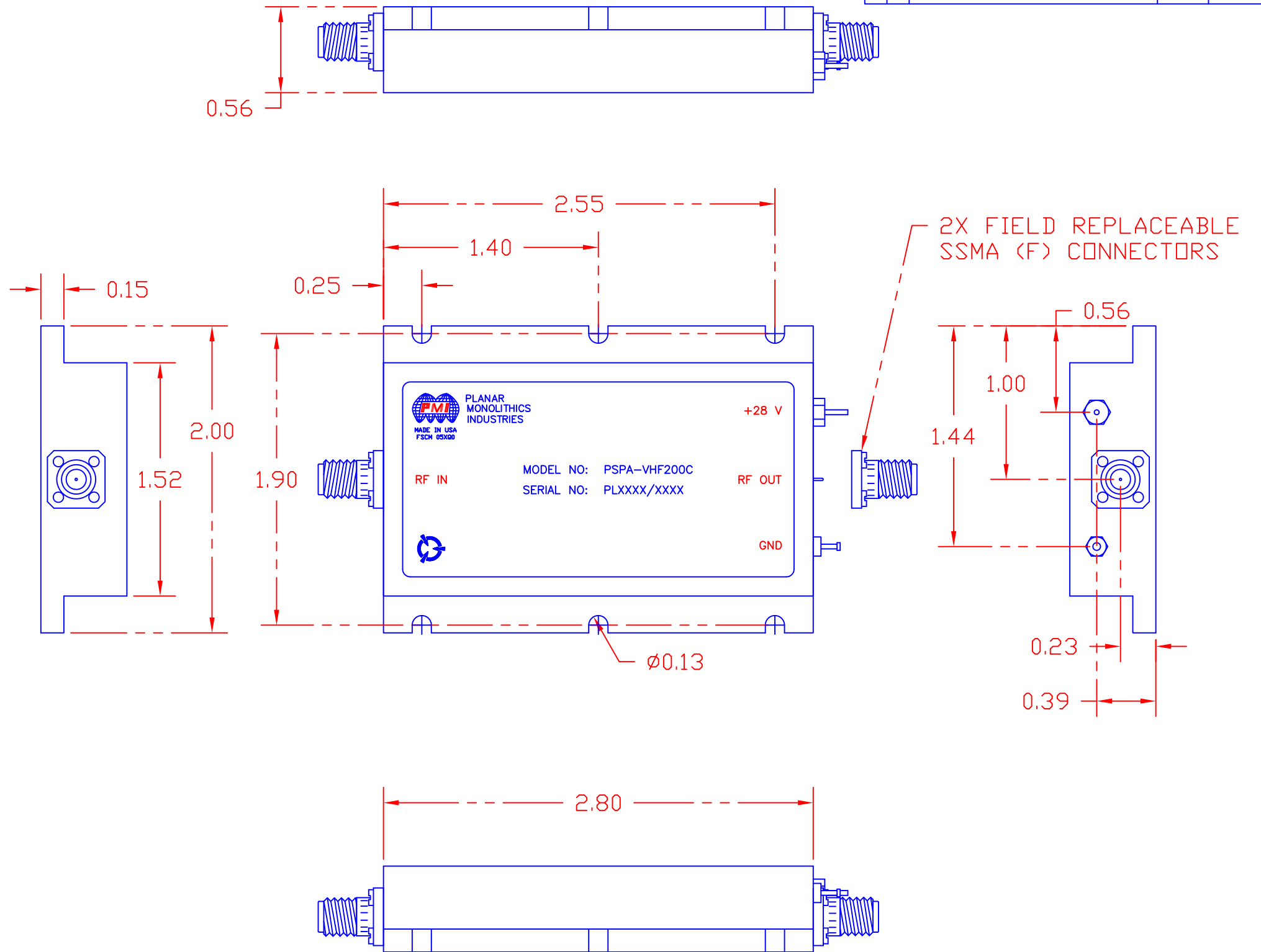
DESCRIPTION

PMI MODEL PSPA-VHF200C IS A HIGH POWER AMPLIFIER CAPABLE OF OUTPUTING 3 WATTS. THE FREQUENCY RANGE IS 20 TO 240 MHz. THIS AMPLIFIER HAS 30 dB OF GAIN AND AN OUTPUT P1dB OF 35 dBm.

SPECIFICATIONS

- FREQUENCY RANGE:.....20 – 240 MHz
- POWER OUTPUT:.....3 WATTS MIN.
- OUTPUT P1dB:.....35 dBm MIN.
- GAIN:.....30 dB TYPICAL
- FLATNESS:.....± 0.75 dB TYPICAL
- MAX. INPUT POWER:.....10 dBm TYPICAL
- VSWR:.....1.75 : 1 TYPICAL
- SPURIOUS:.....60 dBc TYPICAL
- HARMONICS:.....30 dBc TYPICAL
- IMPEDANCE:.....50 OHMS
- DC VOLTAGE:.....+22 VDC TO +32 VDC @ 625 mA MAX.
- CONNECTORS IN/OUT:.....SSMA (F)
- WEIGHT:.....< 4.2 OUNCES
- FINISH:.....PAINTED GRAY

MECHANICAL OUTLINE



ENVIRONMENTAL RATINGS

- TEMPERATURE:.....-40°C TO +85°C (OPERATING)
-55°C TO +125°C (STORAGE)
- HUMIDITY:.....MIL-STD-202F, METHOD 103B COND. B
- SHOCK:.....MIL-STD-202F, METHOD 213B COND. B
- VIBRATION:.....MIL-STD-202F, METHOD 204D COND. B
- ALTITUDE:.....MIL-STD-202F, METHOD 105C COND. B
- TEMPERATURE CYCLE:.....MIL-STD-202F, METHOD 107D COND. A

NOTE: SPECIFICATIONS WILL VARY OVER OPERATING TEMPERATURE
NOTE: THE ABOVE SPECIFICATIONS ARE SUBJECT TO CHANGE OR REVISION

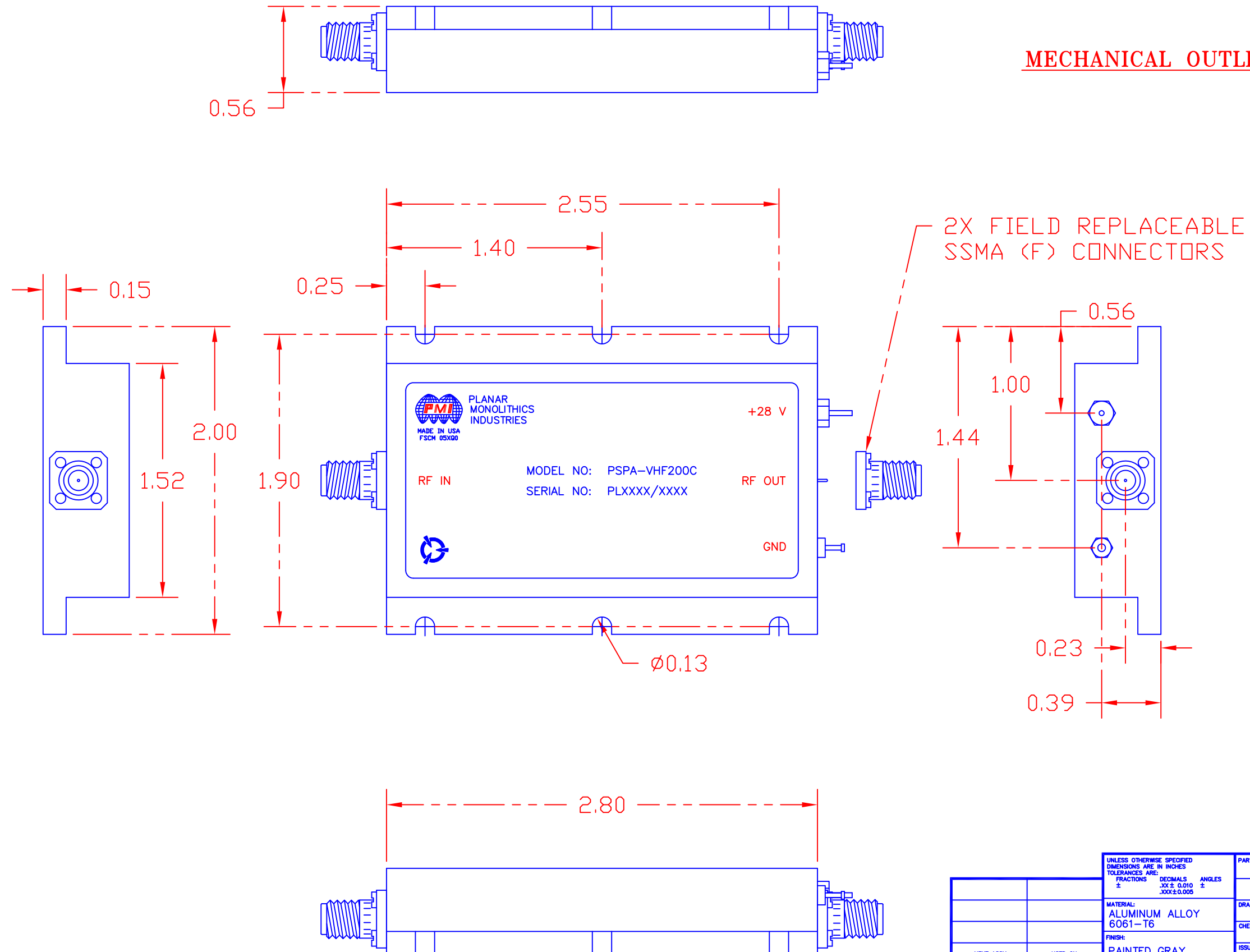
UNLESS OTHERWISE SPECIFIED DIMENSIONS ARE IN INCHES TOLERANCES ARE: FRACTIONS DECIMALS ANGLES ± .010 ± .005 ±		PART NO.		PLANAR MONOLITHICS INDUSTRIES 5715 INDUSTRY LANE UNIT 11 FREDERICK, MARYLAND	
MATERIAL: ALUMINUM ALLOY 6061-T6		APPROVALS	DATE	TITLE OUTLINE DRAWING PSPA-VHF200C	
FINISH: PAINTED GRAY		DRAWN DPD	11/2/09	SIZE B	FSCM NO.
NEXT ASSY	USED ON	CHECKED	ISSUED	DWG NO. 27011621	REV. A
APPLICATION DO NOT SCALE DRAWING		SCALE N/S		SHEET 1 OF 2	

DESCRIPTION

PMI MODEL PSPA-VHF200C IS A HIGH POWER AMPLIFIER CAPABLE OF OUTPUTTING 3 WATTS. THE FREQUENCY RANGE IS 20 TO 240 MHz. THIS AMPLIFIER HAS 30 dB OF GAIN AND AN OUTPUT P1dB OF 35 dBm.

REVISIONS				
ZONE	REV.	DESCRIPTION	DATE	APPROVED
	A	ORIGINAL RELEASE	11/2/09	

MECHANICAL OUTLINE



UNLESS OTHERWISE SPECIFIED DIMENSIONS ARE IN INCHES TOLERANCES ARE:		PART NO.		PLANAR MONOLITHICS INDUSTRIES 5715 INDUSTRY LANE UNIT 11 FREDERICK, MARYLAND	
FRACTIONS	DECIMALS	ANGLES	APPROVALS	DATE	TITLE
\pm	\pm	\pm		11/2/09	OUTLINE DRAWING PSPA-VHF200C
MATERIAL: ALUMINUM ALLOY 6061-T6		DRAWN: <i>DPD</i>			SIZE: B
FINISH: PAINTED GRAY		CHECKED:			FSCM NO.:
APPLICATION: DO NOT SCALE DRAWING		ISSUED:			DWG NO. 27011621
		SCALE: N/S			REV. A
		SHEET 2 OF 2			