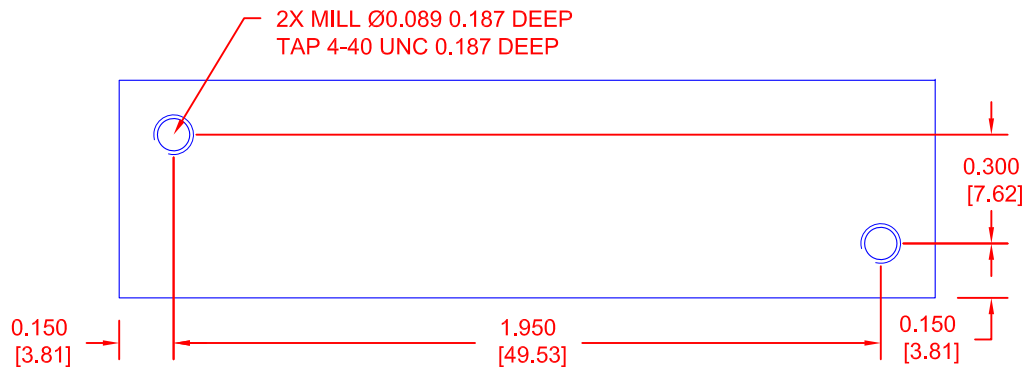
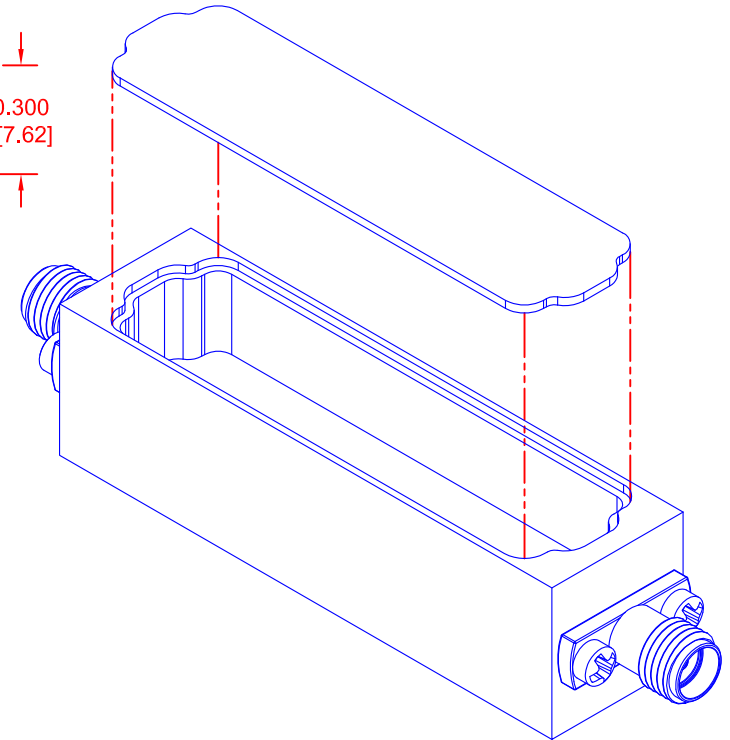
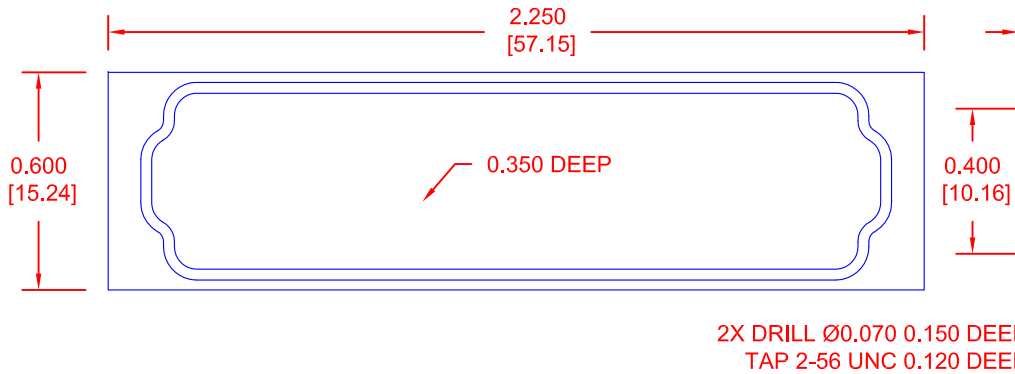


DESCRIPTION

PMI MODEL: PTH-2.25x0.60x0.60-SFF IS A THROUGH PACKAGE HOUSING MEASURING 2.25" x 0.60" x 0.60" [57.15 mm x 15.24 mm x 15.24 mm]. THIS MODEL IS OUTFITTED WITH TWO FIELD REPLACEABLE SMA FEMALE CONNECTORS FOR DESIGNERS TO EASILY INTEGRATE AND TEST THEIR OWN INTERNALS.

REVISIONS				
ZONE	REV.	DESCRIPTION	DATE	APPROVED
	-	PRELIMINARY	3/29/16	

MECHANICAL OUTLINE



PLANAR MONOLITHICS INDUSTRIES, INC.
 7311-F GROVE ROAD
 FREDERICK, MARYLAND 21704 USA
 TEL: (301)-662-5019, FAX: (301)-662-1731
 WEB: www.pmi-rf.com, EMAIL: sales@pmi-rf.com
 ISO 9001 CERTIFIED



NOTE: SPECIFICATIONS WILL VARY OVER OPERATING TEMPERATURE
 NOTE: THE ABOVE SPECIFICATIONS ARE SUBJECT TO CHANGE OR REVISION

PMI CONFIDENTIAL AND PROPRIETARY

ALL DIMENSIONS
 ARE IN INCHES (mm)
 TOLERANCES:
 X.XX ± 0.020
 X.XXX ± 0.010

APPROVALS		DATE	TITLE		
DRAWN <i>M. Berry</i>		3/29/16	PRODUCT FEATURE PTH-2.25x0.60x0.60-SFF THROUGH PACKAGE HOUSING		
CHECKED			SIZE A	FSCM NO. 05XQ0	DWG NO. PRELIMINARY
ISSUED			SCALE N:S		REV. -
				SHEET	1 OF 1