

8 7 6 5 4 3 2 1

Description:

Low Noise Amplifier designed for Military and Industrial applications. This amplifier is supplied in our standard PE2 housing that can be used as a SMA connectorized or a surface mount component. Other packages and connector types are available.

This model provides the following performance. Data is available upon request.

Specifications:

Frequency Range: 9.0 to 10.0 GHz
 Gain: 10dB Typ.
 Gain Flatness: +/-0.5dB Max.
 Noise Figure: 4.0dB Typ.
 OP1dB: 12dBm Min.
 VSWR Input/Output: 2.0:1 Max.
 DC Voltage Supply: +12 to +15VDC
 DC Current Draw: 65mA Max.

Features:

Internal Voltage Regulation
 Unconditional Stability
 Standard Operating Temperature -20 to +70 Deg. C

Available Options:

Various Package types
 Various Connector types
 Temperature Compensation
 Hermetic Sealing
 Gain and Phase Matching
 MIL-STD-883 Screening Available

Environmental Ratings:

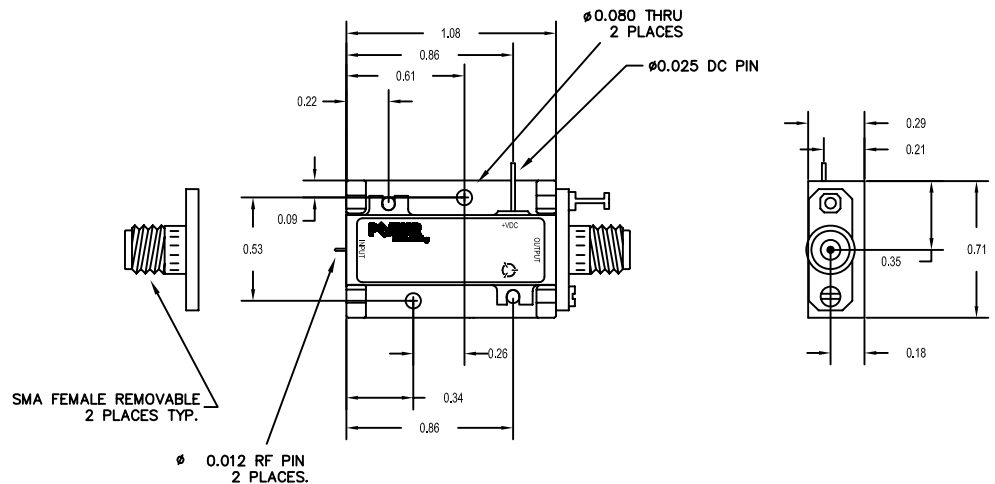
Temperature: -20 to +70 Deg. C (Operating) ; -55 to +85 Deg C Available)
 -55 to +125 Deg. C (Storage)
 Humidity: MIL-STD-202F, METHOD 103B COND B.
 Shock: MIL-STD-202F, METHOD 213B COND B.
 Altitude: MIL-STD-202F, METHOD 105C COND B.
 Temperature Cycle: MIL-STD-202F, METHOD 107D COND A

Note: The above specifications are subject to change or revision.

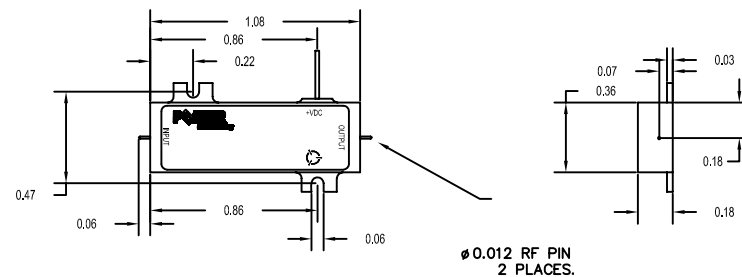
8 7 6 5 4 3 2 1

| REVISIONS | | | | |
|-----------|------|------------------|--------|----------|
| ZONE | REV. | DESCRIPTION | DATE | APPROVED |
| - | - | ORIGINAL RELEASE | 2/1/08 | |

PE2 HOUSING WITH CARRIER



PE2 HOUSING WITHOUT CARRIER (SURFACE MOUNT)



UNLESS OTHERWISE SPECIFIED
 DIMENSIONS ARE IN INCHES
 TOLERANCES ARE:
 FRACTIONS DECIMALS ANGLES
 ± .XX ± 0.010 ±
 .XXX ± 0.005

| | | | |
|-----------------------------------|------------------|---------|--|
| MATERIAL: 6061-T6 Aluminum | APPROVALS | DATE | 5715 Industry Lane, Unit 11 FREDERICK, MARYLAND |
| | DRAWN K Mason | 2/21/08 | |
| FINISH: Gold Plate over Nickel | CHECKED | | TITLE PRODUCT FEATURE PE2-10-9R010R0-4R0-14-12-SFF |
| | DRAWN | | |
| DO NOT SCALE DRAWING | SIZE | SCALE | SHEET 1 OF 1 REV. A MODEL WEB - PART NO. 1LK53 CASE CODE B |