

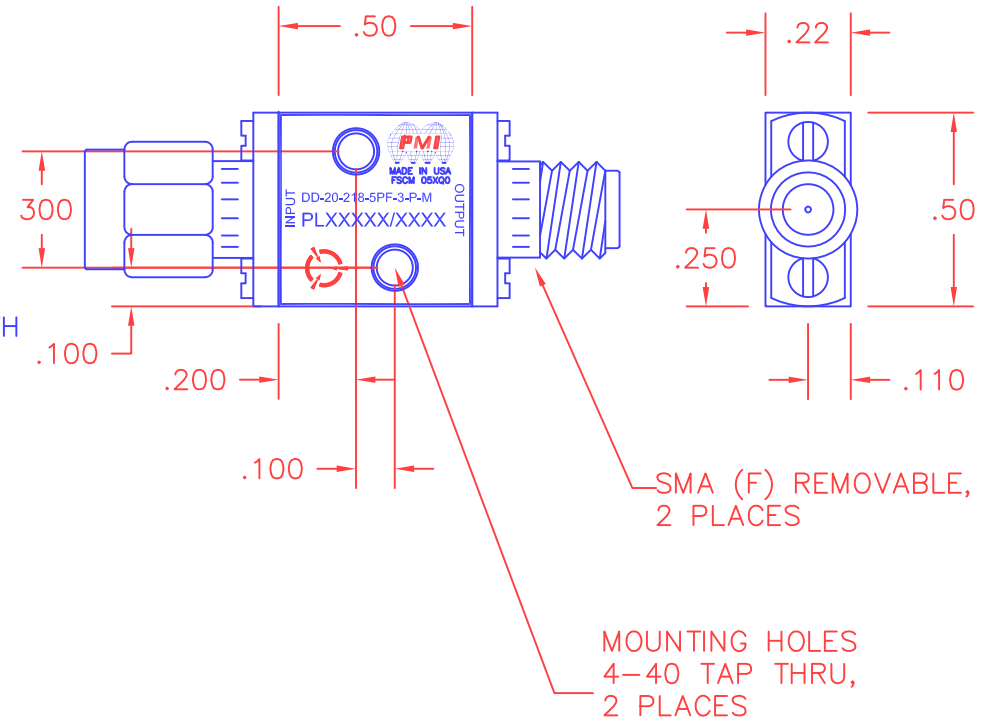
DESCRIPTION

THE MODEL DD-20-218-5PF-3-P-M IS A HIGH SPEED, HIGH SENSITIVITY DIODE DETECTOR REQUIRING NO BIAS AND OFFERING EXCELLENT TEMPERATURE STABILITY, WITH A RESPONSE TIME OF LESS THAN 5 NANoseconds. THE FREQUENCY RANGE IS 2 TO 18 GHz.

REVISIONS				
ZONE	REV.	DESCRIPTION	DATE	APPROVED
	A	ORIGINAL RELEASE	9-6-13	

SPECIFICATIONS

- FREQUENCY RANGE: 2 TO 18 GHz
- VSWR IN/OUT 3.5:1 MAX. (MEASURED @ -23 dBm)
- FREQUENCY FLATNESS ± 1.0 dB
- RISE TIME 10 nS TYPICAL
- VOLTAGE SENSITIVITY 500 mV/mW
- TANGENTIAL SENSITIVITY -50 dBm @ 2 MHz VIDEO BANDWIDTH (WITH 2dB NOISE FIGURE AMPLIFIER)
- VIDEO CAPACITANCE 5.6 pF TYPICAL
- OUTPUT VOLTAGE POSITIVE IS STANDARD (NEGATIVE IS AVAILABLE)
- MAX INPUT POWER +20 dBm
- CONNECTORS SMA (M) INPUT & SMA (F) OUTPUT
- FINISH PAINTED GRAY
- SIZE 0.50 L X 0.50 X 0.22



PMI CONFIDENTIAL AND PROPRIETARY

ENVIRONMENTAL RATINGS

- TEMPERATURE: -54°C TO +85°C (OPERATING)
-65°C TO +100°C (STORAGE)
- HUMIDITY: MIL-STD-202F, METHOD 103B COND. B
- SHOCK: MIL-STD-202F, METHOD 213B COND. B
- VIBRATION: MIL-STD-202F, METHOD 204D COND. B
- ALTITUDE: MIL-STD-202F, METHOD 105C COND. B
- TEMPERATURE CYCLE: MIL-STD-202F, METHOD 107D COND. A

NOTE: SPECIFICATIONS WILL VARY OVER OPERATING TEMPERATURE
NOTE: THE ABOVE SPECIFICATIONS ARE SUBJECT TO CHANGE OR REVISION

ALL DIMENSIONS ARE IN INCHES
TOLERANCES:
.XX ±0.01
.XXX ±0.005

PLANAR MONOLITHICS INDUSTRIES, INC.

7311-F GROVE ROAD
FREDERICK, MARYLAND 21704 USA
TEL: 301-662-5019 FAX: 301-662-1731
WEBSITE: www.pmi-rf.com
E-MAIL: sales@pmi-rf.com
ISO 9001: CERTIFIED



APPROVALS		DATE	TITLE			
DRAWN JM		9-6-13	PRODUCT FEATURE DD-20-218-5PF-3-P-M HIGH SPEED HIGH SENSITIVITY DIODE DETECTOR			
CHECKED			SIZE	FSCM NO.	DWG NO.	REV.
ISSUED			A	05XQ0	27020611	A
			SCALE	2/1		SHEET 1 OF 1