

## DESCRIPTION

PMI MODEL: PE2-15-2R012R0-4R0-22-12-SFF IS A LOW NOISE AMPLIFIER DESIGNED FOR MILITARY AND INDUSTRIAL APPLICATIONS. THIS AMPLIFIER IS SUPPLIED IN OUR PE2 HOUSING THAT CAN BE USED AS AN SMA CONNECTORIZED OR SURFACE MOUNTED COMPONENT. OTHER PACKAGES AND CONNECTOR TYPES ARE AVAILABLE. DATA IS AVAILABLE UPON REQUEST.

## SPECIFICATIONS

- FREQUENCY RANGE: ----- 2.0 TO 12.0 GHz
- GAIN: ----- 15 dB TYPICAL
- GAIN FLATNESS: -----  $\pm 1.0$  dB MAXIMUM
- NOISE FIGURE: ----- 4.0 dB TYPICAL
- OP1dB: ----- +22 dBm MINIMUM
- VSWR (INPUT/OUTPUT): ----- 2.0:1 MAXIMUM
- DC VOLTAGE SUPPLY: ----- +12 TO +15 VDC
- DC CURRENT DRAW: ----- 250 mA MAXIMUM
- CONNECTORS: ----- SMA FEMALE
- FINISH: ----- GOLD PLATED

## FEATURES

- INTERNAL VOLTAGE REGULATION
- UNCONDITIONAL STABILITY
- STANDARD OPERATING TEMPERATURE (-20 °C TO +70 °C)

## AVAILABLE OPTIONS

- VARIOUS PACKAGE TYPES
- VARIOUS CONNECTOR TYPES
- TEMPERATURE COMPENSATION
- HERMETIC SEALING
- GAIN AND PHASE MATCHING
- MIL-STD-883 SCREENING AVAILABLE

## ENVIRONMENTAL RATINGS

- TEMPERATURE: ----- -20 °C TO +70 °C (OPERATING)  
----- -55 °C TO +85 °C (AVAILABLE)  
----- -65 °C TO +125 °C (STORAGE)
- HUMIDITY: ----- MIL-STD-202F, METHOD 103B COND. B
- SHOCK: ----- MIL-STD-202F, METHOD 213B COND. B
- ALTITUDE: ----- MIL-STD-202F, METHOD 105C COND. B
- TEMPERATURE CYCLE: ----- MIL-STD-202F, METHOD 107D COND. A

NOTE: SPECIFICATIONS WILL VARY OVER OPERATING TEMPERATURE

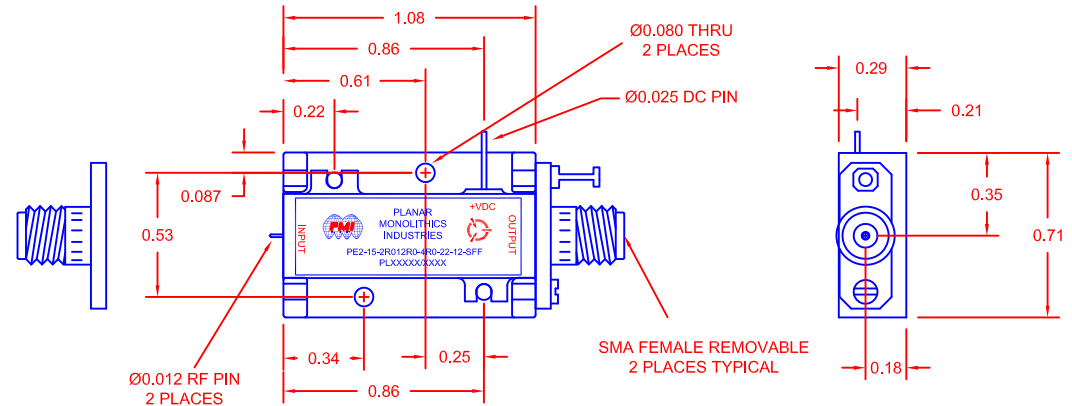
NOTE: THE ABOVE SPECIFICATIONS ARE SUBJECT TO CHANGE OR REVISION

ALL DIMENSIONS ARE IN INCHES  
TOLERANCES:  
X.XX  $\pm 0.020$   
X.XXX  $\pm 0.010$

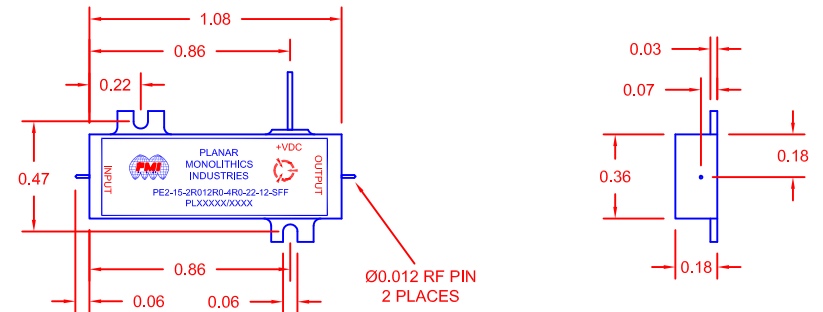
**PMI CONFIDENTIAL AND PROPRIETARY**

REVISIONS				
ZONE	REV.	DESCRIPTION	DATE	APPROVED
	A1	INITIAL RELEASE	03/12/19	

## PE2 HOUSING WITH CARRIER



## PE2 HOUSING WITHOUT CARRIER (SURFACE MOUNT)



## PLANAR MONOLITHICS INDUSTRIES, INC.

7311-F GROVE ROAD

FREDERICK, MARYLAND 21704 USA

TEL: (301)-662-5019, FAX: (301)-662-1731

WEB: www.pmi-rf.com, EMAIL: sales@pmi-rf.com

ISO 9001 CERTIFIED



APPROVALS		DATE	TITLE			
DRAWN <i>GJR</i>		03/12/19	PRODUCT FEATURE PE2-15-2R012R0-4R0-22-12-SFF			
CHECKED			SIZE A	FSCM NO. 05XQ0	DWG NO. 27036400	REV. A1
ISSUED			SCALE N:S		SHEET 1 OF 1	