

Description:

PMI Model Number: PE2-30-0R2518R0-5R0-22-12-SFF is a 0.25 to 18.0 GHz low noise amplifier. This amplifier is supplied in our standard PE2 housing that can be used as a SMA connectorized or a surface mount component.

Specifications:

Frequency Range:	0.25 to 18.0 GHz
Gain:	30dB Typ
Gain Flatness:	±1.5dB Max
Noise Figure:	5.0dB Max
OP1dB:	22dBm Min
VSWR Input/Output:	2.0:1 Max
DC Supply:	+12 to +15VDC @ 325mA Typ
Connectors In/Out:	SMA Female
Finish:	Gold Plated

Features:

Internal Voltage Regulation
Unconditional Stability

Available Options:

Various Package types
Various Connector types
Temperature Compensation
Gain and Phase Matching
MIL-STD-883 Screening Available

Environmental Ratings:

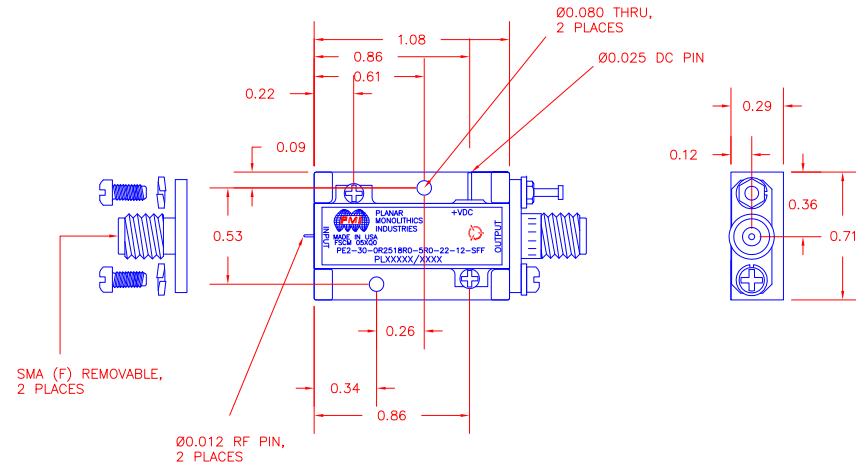
Temperature:	-40°C to + 85°C (Operating) -40°C to +100°C (Storage)
Humidity:	MIL-STD-202F, METHOD 103B COND B.
Shock:	MIL-STD-202F, METHOD 213B COND B.
Altitude:	MIL-STD-202F, METHOD 105C COND B.
Temperature Cycle:	MIL-STD-202F, METHOD 107D COND A

Note: The above specifications are subject to change or revision.

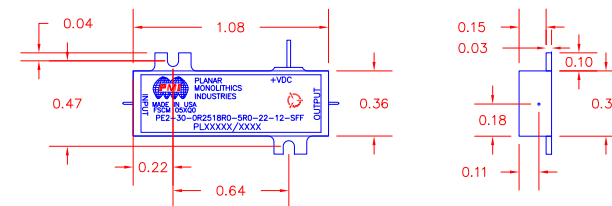
ALL DIMENSIONS ARE IN INCHES
TOLERANCES:
X.XX ±0.020
X.XXX ±0.010

REVISIONS				
ZONE	REV.	DESCRIPTION	DATE	APPROVED
	-	PRELIMINARY	9/24/15	JJ

PE2 HOUSING WITH CARRIER



PE2 HOUSING WITHOUT CARRIER (SURFACE MOUNT)



PMI CONFIDENTIAL AND PROPRIETARY

PLANAR MONOLITHICS INDUSTRIES, INC.

7311-F GROVE ROAD
FREDERICK, MARYLAND 21704 USA
TEL: 301-662-5019 FAX: 301-662-1731
WEBSITE: www.pmi-rf.com
E-MAIL: sales@pmi-rf.com
ISO 9001 CERTIFIED



APPROVALS		DATE	TITLE			
DRAWN JJ		9/24/15	PRODUCT FEATURE PE2-30-0R2518R0-5R0-22-12-SFF			
CHECKED			SIZE	FSCM NO.	DWG NO.	REV.
ISSUED			A	05XQ0	PRELIMINARY	-
			SCALE	N:S	SHEET	1 OF 1