

DESCRIPTION

PMI MODEL PDC-192212-6-20W-SFF IS A DIRECTIONAL COUPLER THAT HAS AN OPERATING FREQUENCY OF 19.2-21.2 GHZ. THIS MODEL FEATURES LOW VSWR, HIGH DIRECTIVITY, BROADBAND AND COMPACT SIZE.

SPECIFICATIONS

- FREQUENCY RANGE: 19.2 GHz TO 21.2 GHz
- INSERTION LOSS: 1.7 dB MAX. (Excl. Coupling loss 1.26dB)
- COUPLING FACTOR: 6 dB \pm 0.7dB MAX.
- COUPLING SENSITIVITY: \pm 0.8 dB MAX.
- DIRECTIVITY: 10 dB MIN.
- VSWR: PRIMARY 1.6:1 MAX
SECONDARY 1.6:1 MAX
- POWER HANDLING: INCIDENT \leq 20WATT
REFLECTED \leq 1 WATT
- IMPEDANCE: 50 Ω
- CONNECTORS: 2.92mm-FEMALE
- FINISH: PAINTED BLUE
- WEIGHT: 30g

ENVIRONMENTAL RATINGS

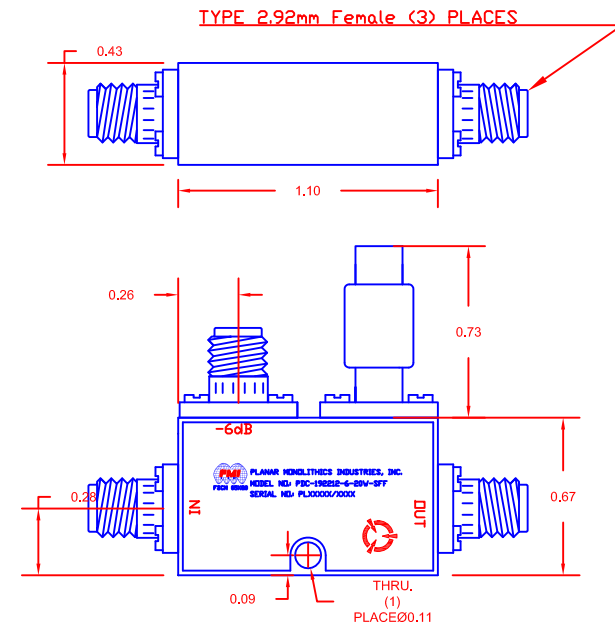
- TEMPERATURE: -55 °C TO +85 °C (OPERATING)
- HUMIDITY: UP TO 95%, NON-CONDENSING

NOTE: THE ABOVE SPECIFICATIONS ARE SUBJECT TO CHANGE OR REVISION

PMI CONFIDENTIAL AND PROPRIETARY

REVISIONS				
ZONE	REV.	DESCRIPTION	DATE	APPROVED
	A1	ORIGINAL RELEASE	9/17/21	

MECHANICAL OUTLINE



PLANAR MONOLITHICS INDUSTRIES, INC.

7311-F GROVE ROAD

FREDERICK, MARYLAND 21704 USA

TEL: (301)-662-5019, FAX: (301)-662-1731

WEB: www.pmi-rf.com, EMAIL: sales@pmi-rf.com

ISO 9001 CERTIFIED



APPROVALS		DATE	TITLE			
DRAWN <i>ABF</i>		7/2/21	OUTLINE DRAWING PDC-192212-6-20W-SFF			
CHECKED			SIZE A	FSCM NO. 05XQ0	DWG NO. 27042860	REV. A1
ISSUED			SCALE N/A		SHEET 1 OF 1	