

DESCRIPTION:

PMI MODEL NUMBER BPF-1G4D4G-3400-SFF IS A BANDPASS FILTER WITH A 3 dB BANDWIDTH OF 3400 MHz MINIMUM COVERING 1000 TO 4400 MHz. THE FILTER IS BUILT IN A CONNECTORIZED PACKAGE.

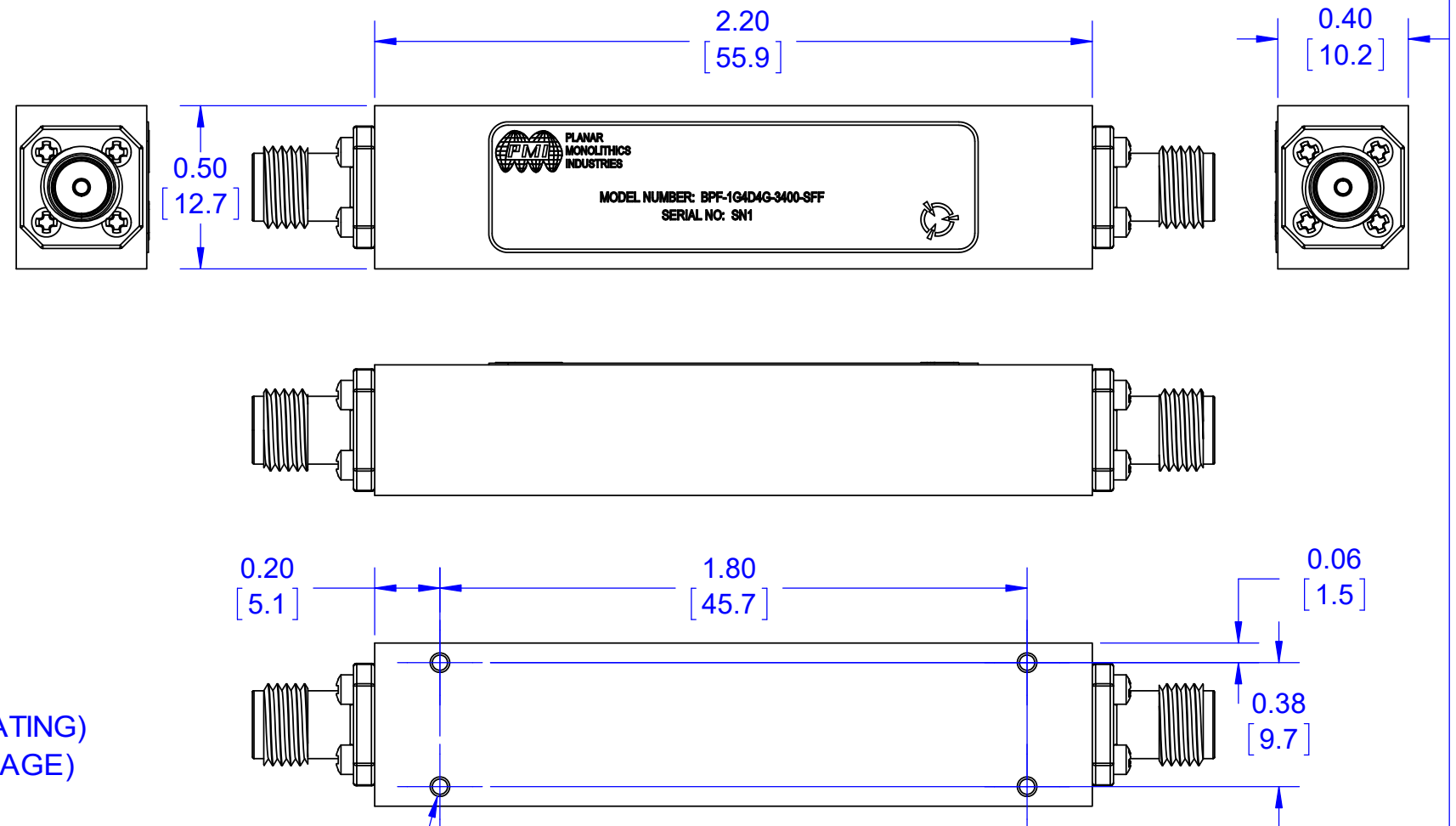
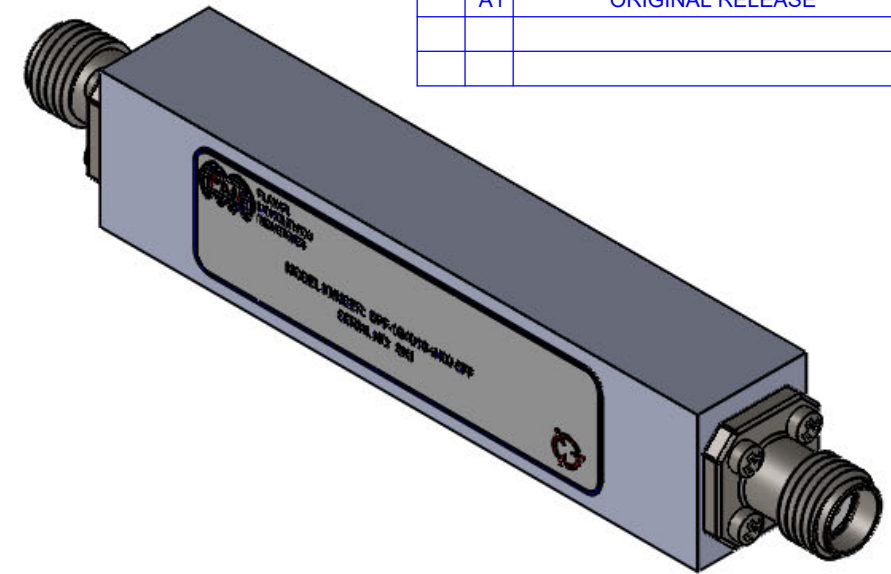
SPECIFICATIONS:

- PASSBAND FREQUENCY RANGE:..... 1 GHz TO 4.4 GHz MIN
- PASSBAND BANDWIDTH:..... 3400 MHz MIN
- PASSBAND VSWR:..... 1.5:1 GOAL, 1.8:1 MAX
- PASSBAND INSERTION LOSS:..... 2.25 dB GOAL, 2.75 dB MAXIMUM
- REJECTION:
 - 0.1 TO 0.89 GHz:..... -60 dBc MINIMUM
 - 4.95 TO 18.0 GHz:..... -60 dBc MINIMUM
- CONNECTORS:..... SMA (F)

ENVIRONMENTAL RATINGS:


- TEMPERATURE:..... -40°C TO +85°C (OPERATING)
-65°C TO +125°C (STORAGE)

ZONE	REV.	DESCRIPTION	DATE	APPROVED
	A1	ORIGINAL RELEASE	12/3/2020	



PMI CONFIDENTIAL AND PROPRIETARY

4X Ø 0.05 [1.2] ∇ 0.13 [3.2]
0-80 UNF ∇ 0.10 [2.5]

UNLESS OTHERWISE SPECIFIED DIMENSIONS ARE IN INCHES TOLERANCES ARE: FRACTIONS DECIMALS ANGLES ± .XX ± 0.010 ± .XXX ± 0.005		PART NO.		 PLANAR MONOLITHICS INDUSTRIES, INC. 7311-F GROVE ROAD FREDERICK, MARYLAND 21704 USA TEL: (301)-862-5019, FAX: (301)-662-1731 WEB: www.pmi-rf.com, EMAIL: sales@pmi-rf.com ISO 9001 CERTIFIED	
MATERIAL:		APPROVALS	DATE	TITLE	
FINISH:		DRAWN D. DURBIN	12/3/2020	1000-4400 MHz BANDPASS FILTER BPF-1G4D4G-3400-SFF	
NEXT ASSY	USED ON	ISSUED		SIZE	FSCM NO.
				B	05XQ0
APPLICATION				DWG NO.	REV.
				27035140	A1
				SCALE 2:1	SHEET 1 OF 1