

ZONE	REV.	DESCRIPTION	DATE	APPROVED
	A1	ORIGINAL RELEASE	8/5/2020	

DESCRIPTION:

PLANAR MONOLITHICS INDUSTRIES MODEL NUMBER BPF-11400-2000-35-SFF-HY IS A BANDPASS FILTER. THE PASSBAND IS FROM 10400 TO 12400 MHz MINIMUM AND THE FILTER HAS THE FOLLOWING SPECIFICATIONS.

SPECIFICATIONS:

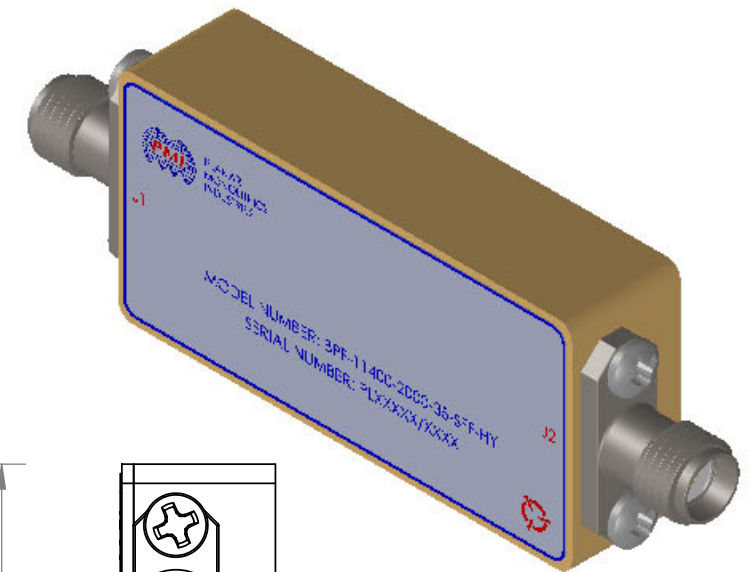
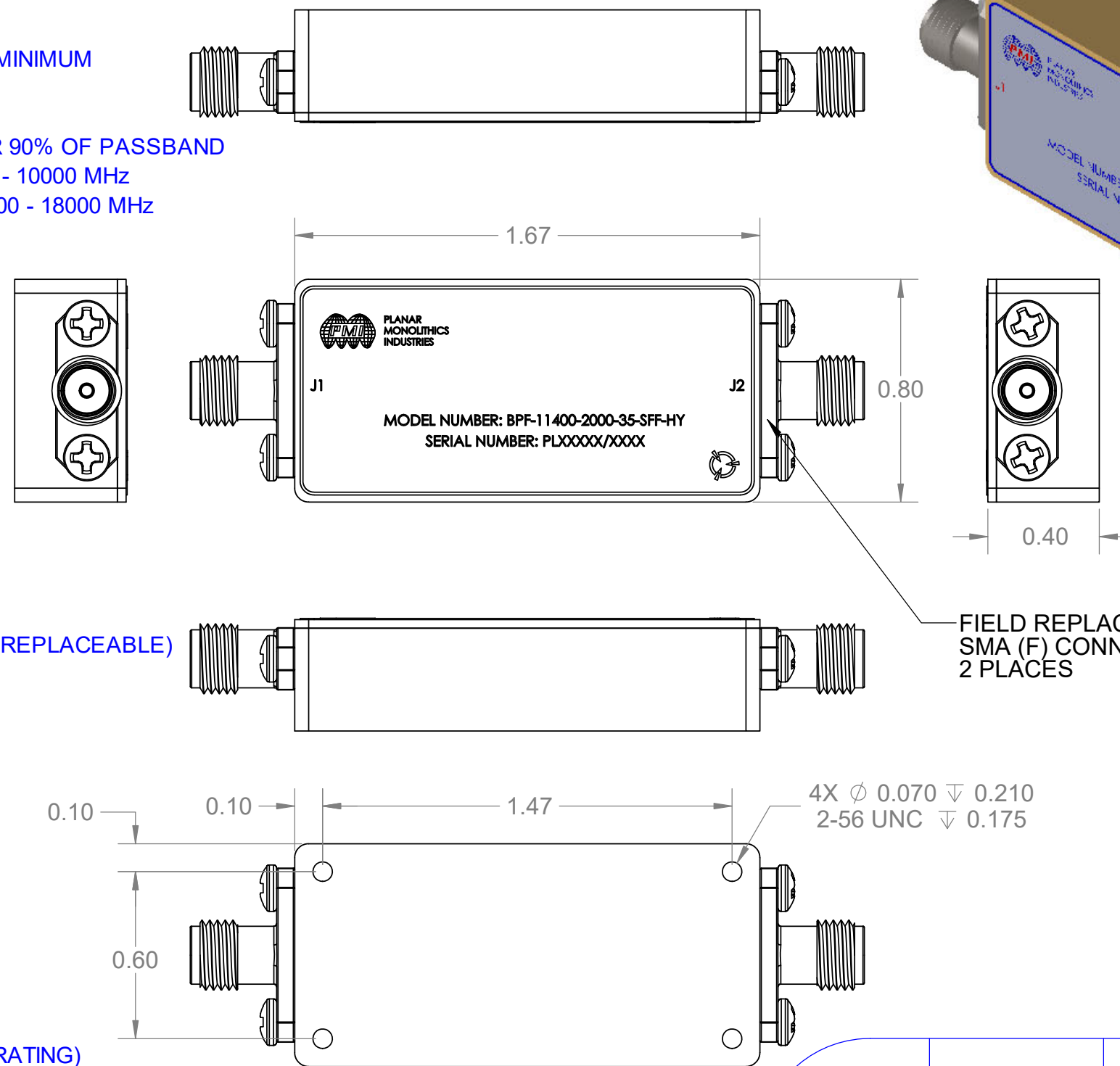
- PASSBAND FREQUENCY RANGE:..... 10400 TO 12400 MHz MINIMUM
- -3 dB BANDWIDTH:..... 2000 MHz MINIMUM
- -1 dB PASSBAND INSERTION LOSS:..... 5 dB MAXIMUM
- PASSBAND VSWR:..... 2.0:1 MAXIMUM OVER 90% OF PASSBAND
- REJECTION:..... -35 dBc MINIMUM 100 - 10000 MHz
-35 dBc MINIMUM 12800 - 18000 MHz

- CONNECTORS:..... SMA FEMALE (FIELD REPLACEABLE)
- SIZE:..... 1.67" X 0.80" X 0.40"
- FINISH:..... GOLD PLATED

ENVIRONMENTAL RATINGS:

- TEMPERATURE:..... -45°C TO +85°C (OPERATING)
-55°C TO +125°C (STORAGE)

NOTE: THE ABOVE SPECIFICATIONS ARE SUBJECT TO CHANGE OR REVISION SPECIFICATIONS MAY VARY OVER TEMPERATURE



APPROVALS		DATE	TITLE	
DRAWN D. DURBIN		8/5/2020	OUTLINE DRAWING	
REISSUED			BPF-11400-2000-35-SFF-HY	
ISSUED			SIZE B	FSCM NO. 05XQ0
			DWG NO. 27039560	REV. A1
UNLESS OTHERWISE SPECIFIED DIMENSIONS ARE IN INCHES TOLERANCES ARE: FRACTIONS .XX ± 0.02 ANGLES ± DECIMALS .XXX ± 0.01			SCALE 2:1	
			SHEET 1 OF 1	

PMI CONFIDENTIAL AND PROPRIETARY

PLANAR MONOLITHICS INDUSTRIES, INC.
 7311-F GROVE ROAD
 FREDERICK, MARYLAND 21704 USA
 TEL: (301)-862-5019, FAX: (301)-662-1731
 WEB: www.pmi-rf.com, EMAIL: sales@pmi-rf.com
 ISO 9001 CERTIFIED