

## Description:

Model Number PEC-53-12-10-15-SFF is a 1.0 GHz to 2.0GHz low noise amplifier. This amplifier has a minimum gain of 53 dB with +/-0.75 dB flatness, OP1dB of +16 dBm minimum and a Noise Figure of 0.7 dB maximum.

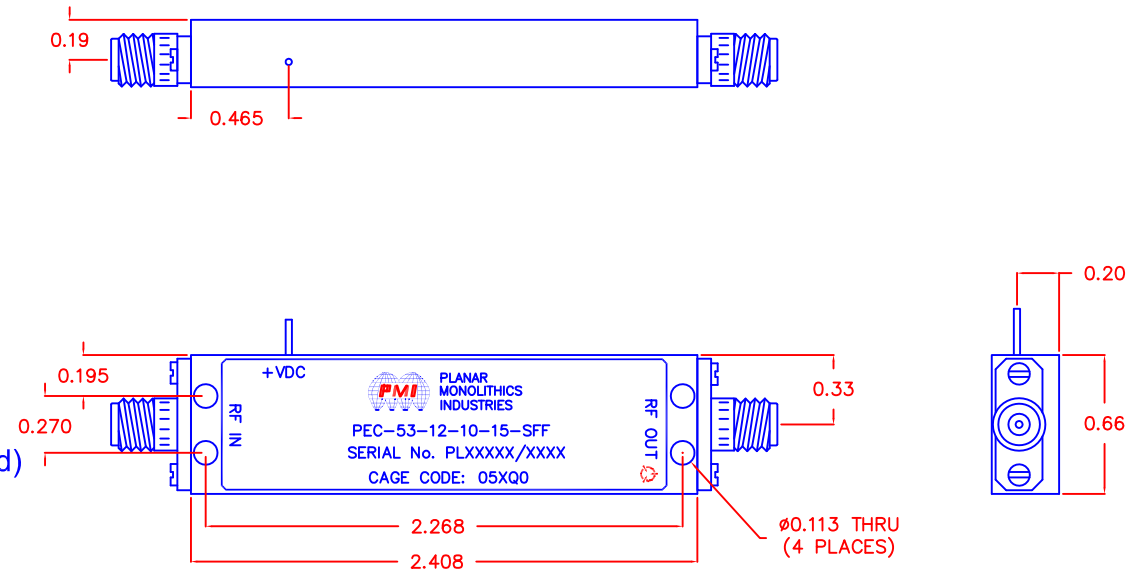
This model provides the following performance.

## Specifications:

Frequency:..... 1.0 GHz to 2.0 GHz  
 Gain:..... 53 dB Minimum  
 Gain Flatness:..... ±0.75 dB Maximum  
 Noise Figure: ..... 0.7 dB Typical  
 OP1dB:..... +16 dBm Minimum  
 VSWR In/Out:..... 1.5:1 Maximum  
 Connectors:..... SMA(F)  
 DC Current:..... 275 mA Maximum  
 DC Voltage: ..... +12 to +15 VDC Nominal  
 Finish:..... Painted Blue (Mounting Surface Unpainted)

REVISIONS				
ZONE	REV.	DESCRIPTION	DATE	APPROVED
	-	PRELIMINARY (-QF)	5/19/15	
	1	ORIGINAL RELEASE	11/18/15	
	A1	ECN # 16-0028	2/10/16	
	B1	ECN # 16-0029	2/10/16	

## MECHANICAL OUTLINE



## Environmental Ratings:

Temperature: ..... -55°C to +85° C (Operating)  
 ..... -65°C +125°C (Storage)  
 Humidity: ..... MIL-STD-202F, METHOD 103B COND B.  
 Shock: ..... MIL-STD-202F, METHOD 213B COND B.  
 Altitude: ..... MIL-STD-202F, METHOD 105C COND B.  
 Temperature Cycle: ..... MIL-STD-202F, METHOD 107D COND A

Note: The above specifications are subject to change or revision.

ALL DIMENSIONS ARE IN INCHES  
 TOLERANCES:  
 X.XX ±0.020  
 X.XXX ±0.010

PMI CONFIDENTIAL AND PROPRIETARY

## PLANAR MONOLITHICS INDUSTRIES, INC.

7311-F GROVE ROAD  
 FREDERICK, MARYLAND 21704 USA  
 TEL: 301-662-5019 FAX: 301-662-1731  
 WEBSITE: [www.pmi-rf.com](http://www.pmi-rf.com)  
 E-MAIL: [sales@pmi-rf.com](mailto:sales@pmi-rf.com)  
 ISO 9001 CERTIFIED



APPROVALS		DATE	TITLE			REV.
DRAWN <i>K. MASON</i>		5/19/15	PRODUCT FEATURE PEC-53-12-10-15-SFF			
CHECKED			SIZE	FSCM NO.	DWG NO.	
ISSUED			A	05XQ0	27002420	B1
SCALE N:S			SHEET 1 OF 1			