

DESCRIPTION:

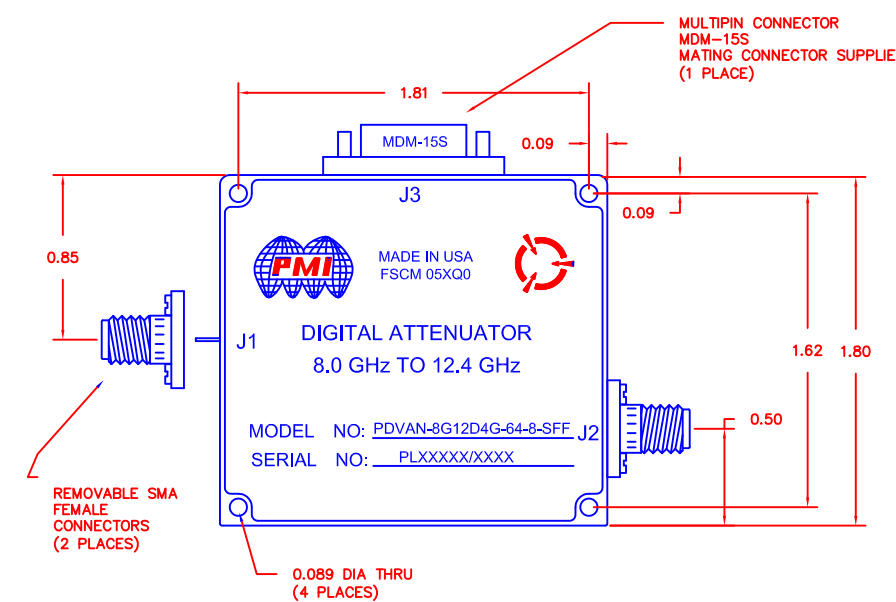
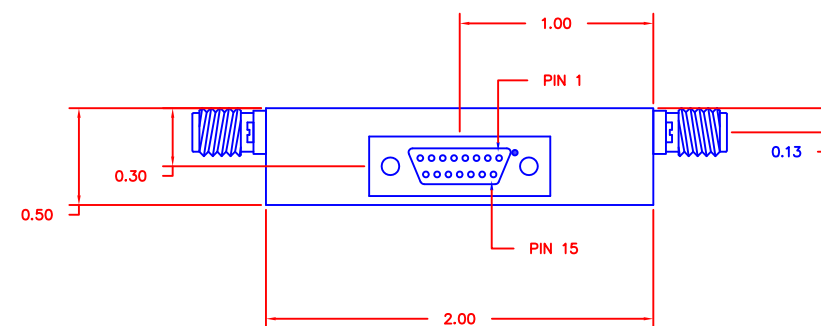
PMI MODEL NUMBER PDVAN-8G12D4G-64-8-SFF IS AN 8 BIT PROGRAMMABLE 60 DB PIN DIODE ATTENUATOR WITH STEP RESOLUTION AS LOW AS 0.25 DB OVER THE FREQUENCY RANGE OF 8.0 GHz TO 12.4 GHz.

SPECIFICATIONS:

- FREQUENCY: 8.0 GHz TO 12.4 GHz
- MEAN ATTENUATION RANGE: 64dB
- INSERTION LOSS: 3dB TYPICAL
- VSWR: 2.0:1 MAX
- POWER RATING: +20dBm (Operating)
+30dBm (Survival)
- ATTENUATION FLATNESS:
 - @ 10 dB ±1.0 dB
 - @ 20dB ±1.25 dB
 - @ 40dB ±1.75 dB
 - @ 60dB ±2.5 dB
- SWITCHING TIME: 500 nsec MAX
- DIGITAL CONTROL: 8 BIT Positive True, Binary TTL
- MONOTONICITY: GUARANTEED
- POWER SUPPLY: +12V to +15V @ 50mA TYPICAL
- PWR/CTL CONNECTORS: 15 PIN Micro-D-Female (MATING CONNECTOR SUPPLIED)
- RF CONNECTORS: SMA - Female
- FINISH: PAINTED BLUE
- SIZE: (L) 2.00" X (W) 1.80" X(H) 0.50"

PIN NO:	J3 PIN FUNCTIONS
1	N/C
2	N/C
3	N/C
4	GND
5	0.25dB (LSB)
6	0.5dB
7	1.0dB
8	2.0dB
9	4.0dB
10	8.0dB
11	16.0dB
12	32dB (MSB)
13	+VDC
14	N/C
15	N/C

REVISIONS				
ZONE	REV.	DESCRIPTION	DATE	APPROVED
	—	PRELIMINARY	5/26/14	



CONFIDENTIAL AND PROPRIETARY

ENVIRONMENTAL RATINGS:

- TEMPERATURE: -55°C TO +85°C (OPERATING)
-65°C TO +125°C (STORAGE)
- HUMIDITY: MIL-STD-202F, METHOD 103B COND. B
- SHOCK: MIL-STD-202F, METHOD 213B COND. B
- VIBRATION: MIL-STD-202F, METHOD 204D COND. B
- ALTITUDE: MIL-STD-202F, METHOD 105C COND. B
- TEMPERATURE CYCLE: MIL-STD-202F, METHOD 107

- LOGIC INPUT
LOGIC "0" (BIT OFF) -0.3 to +0.8V
LOGIC "1" (BIT ON) +2.0 to +5.0V

NOTE: THE ABOVE SPECIFICATIONS ARE SUBJECT TO CHANGE OR REVISION

ALL DIMENSIONS ARE IN INCHES
TOLERANCES:
X.XX ±0.020
X.XXX ±0.010

PLANAR MONOLITHICS INDUSTRIES, INC.
 7311-F GROVE ROAD
 FREDERICK, MARYLAND 21704 USA
 TEL: 301-662-5019 FAX: 301-662-1731
 WEBSITE: www.pmi-rf.com
 E-MAIL: sales@pmi-rf.com
 ISO 9001:2008 CERTIFIED



APPROVALS		DATE	TITLE			
DRAWN <i>KM</i>		5/26/14	PRODUCT FEATURE			
CHECKED			PDVAN-8G12D4G-64-8-SFF			
ISSUED			SIZE	FSCM NO.	DWG NO.	REV.
			A	05XQ0	PRELIMINARY	—
			SCALE	SHEET		
			N:S	1 OF 1		