

REVISIONS				
ZONE	REV.	DESCRIPTION	DATE	APPROVED
A		ORIGINAL RELEASE	12/10/10	

**Description:**

Part Number 27001662(Model Number PE2-25-0R15-15-SFF) is a 0.1 to 5.0GHz low noise amplifier. This amplifier is supplied in our standard PE2 housing that can be used as a SMA connectorized or a surface mount component.

This model provides the following performance. Data is available upon request.

**Specifications:**

Frequency Range:	0.1 to 5 GHz
Gain:	25dB Typ.
Gain Flatness:	+/- 1.5dB Max.
Noise Figure:	8.0dB Max.
OP1dB:	+5dBm Min.
VSWR Input/Output:	2.0:1 Max.
DC Voltage Supply:	+12 to +15VDC
DC Current Draw:	150mA Max.
Connectors In/Out	SMA Female

**Features:**

- Internal Voltage Regulation
- Unconditional Stability
- Standard Operating Temperature -55 to +85 Deg. C

**Available Options:**

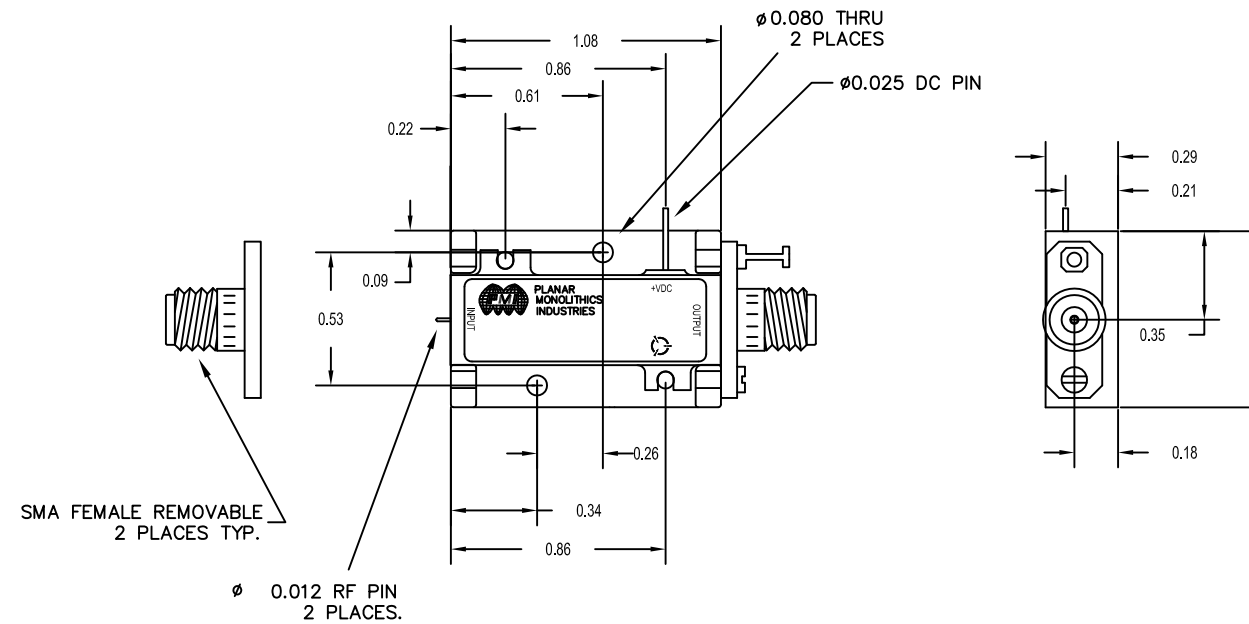
- Various Package types
- Various Connector types
- Temperature Compensation
- Gain and Phase Matching
- MIL-STD-883 Screening Available

**Environmental Ratings:**

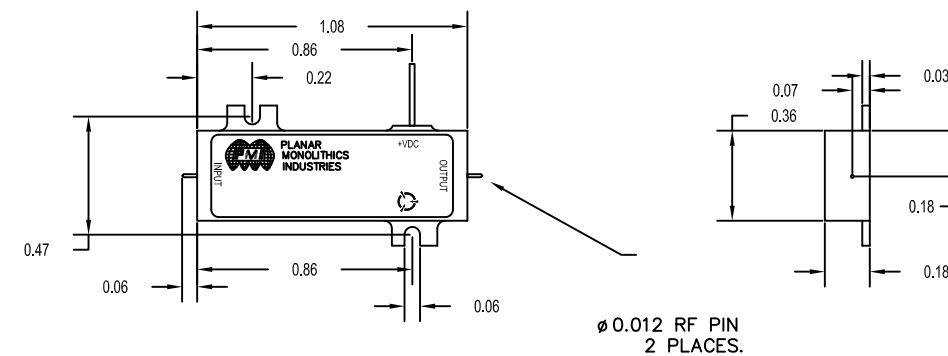
Temperature:	-55 to +85 Deg. C (Operating)
	-65 to +125 Deg. C (Storage)
Humidity:	MIL-STD-202F, METHOD 103B COND B.
Shock:	MIL-STD-202F, METHOD 213B COND B.
Altitude:	MIL-STD-202F, METHOD 105C COND B.
Temperature Cycle:	MIL-STD-202F, METHOD 107D COND A

Note: The above specifications are subject to change or revision.

PE2 HOUSING WITH CARRIER



PE2 HOUSING WITHOUT CARRIER (SURFACE MOUNT)



UNLESS OTHERWISE SPECIFIED  
DIMENSIONS ARE IN INCHES  
TOLERANCES ARE:  
FRACTIONS DECIMALS ANGLES  
± .XX ± 0.010 ±  
.XXX ± 0.005

MATERIAL: 6061-T6 Aluminum	PART NO.		7311-F GROVE ROAD FREDERICK, MARYLAND	
	APPROVALS	DATE	TITLE PE2 Series Amplifier PE2-25-0R15-15-SFF	
FINISH: GOLD PLATED	DRAWN DPD	3/9/10	SIZE B	CAGE CODE 05XQ0
	Modified SFK	12/10/10	DWG NO. 27001662	REV. A
DO NOT SCALE DRAWING		SCALE N/A		SHEET 1 OF 1