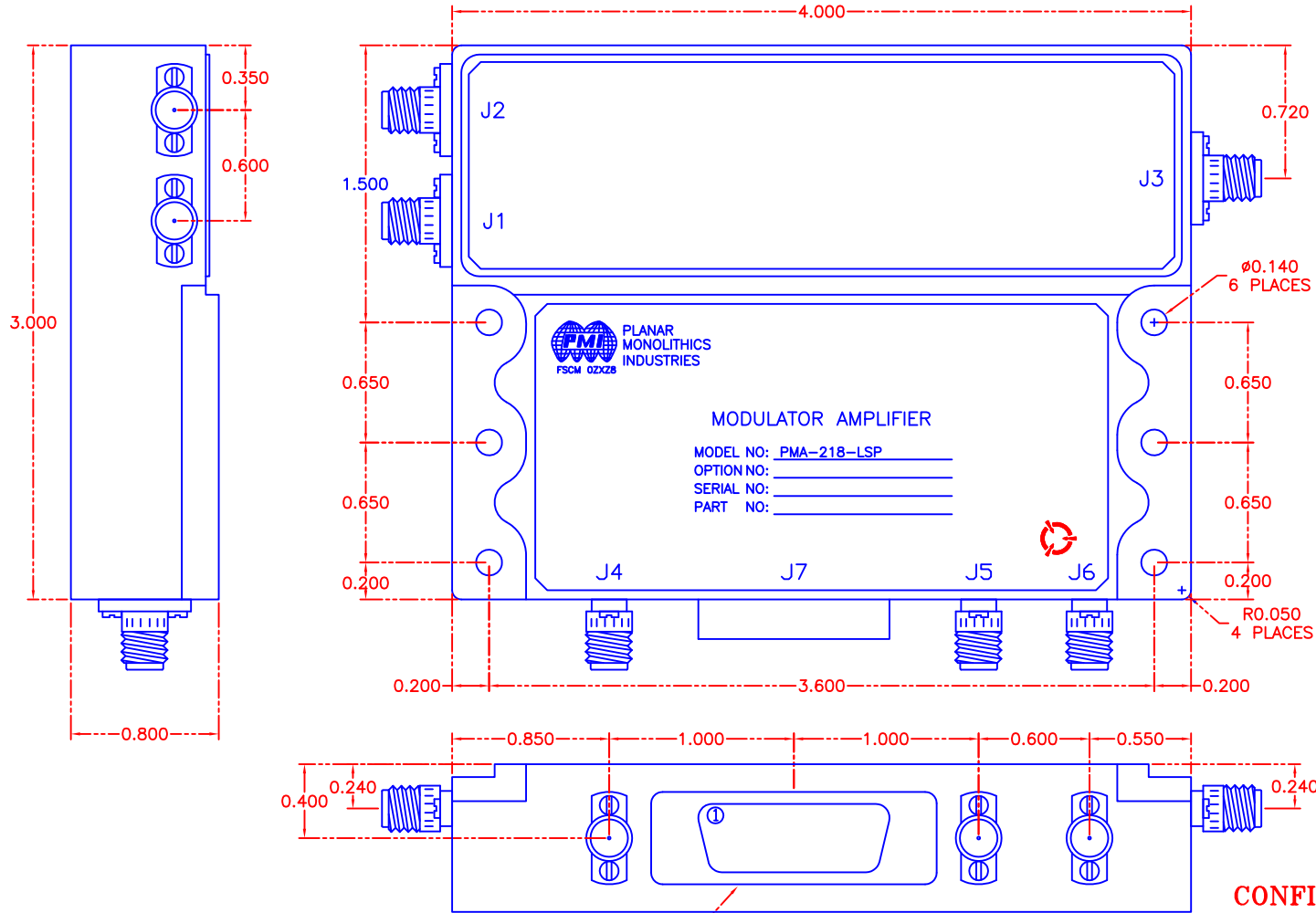


DESCRIPTION:

PMI MODEL PMA-218-LSP IS A MODULATOR AMPLIFIER CAPABLE OF AMPLITUDE MODULATION, LEVEL CONTROL AND PULSE MODULATION FOR AN RF STIMULUS PATH THAT WORKS FROM 0.5 TO 2.0 GHz AND 2.0 TO 18.0 GHz.

REVISIONS				
ZONE	REV.	DESCRIPTION	DATE	APPROVED
	-	ORIGINAL RELEASE, JOB#P20620E	2/6/03	

MECHANICAL OUTLINE



**15 PIN D CONNECTOR
CONNECTOR (J7)**

PIN	FUNCTION
1	GROUND
2	-15 VOLTS
3	+15 VOLTS
4	GROUND
5	BAND SELECT TTL
6-15	N / C

CONNECTORS


PIN	FUNCTION
J1	MICROWAVE LOWBAND
J2	MICROWAVE HIGHBAND
J3	MICROWAVE OUTPUT
J4	PULSE CONTROL
J5	MODULATOR A
J6	MODULATOR B

CONFIDENTIAL AND PROPRIETARY

MIL-C-24308/9-17
15 PIN, HERMETIC
GLASSEAL PRODUCTS

ALL DIMENSIONS ARE IN INCHES
TOLERANCES:
X.XX ±0.010
X.XXX ±0.005

NOTE: THE ABOVE SPECIFICATIONS ARE SUBJECT TO CHANGE OR REVISION.

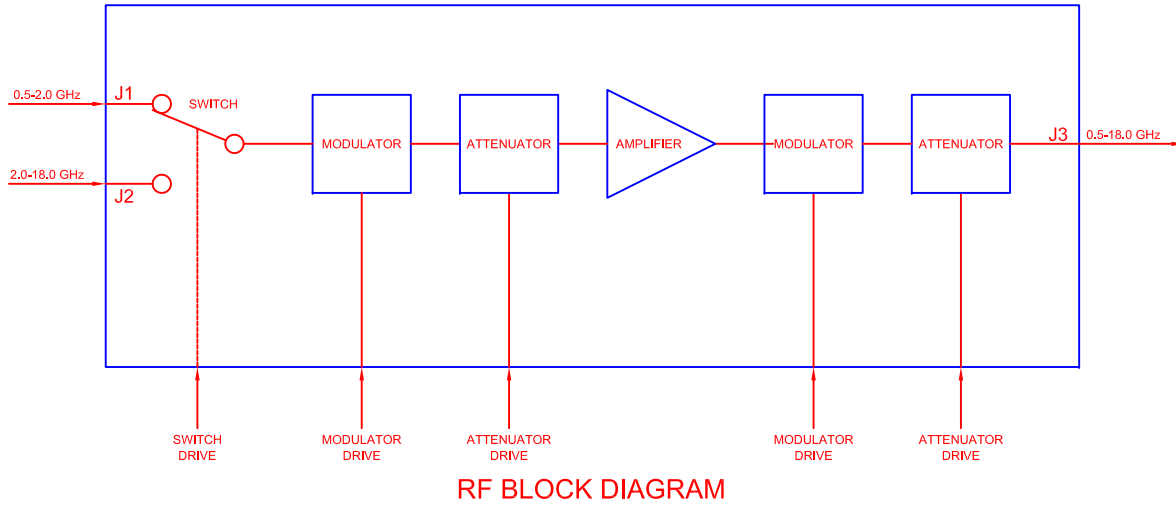
PART NO.		 PLANAR MONOLITHICS INDUSTRIES FREDERICK, MARYLAND	
APPROVALS	DATE	TITLE	
DRAWN <i>KHAF PAU</i>	2/6/03	PRODUCT FEATURE PMA-218-LSP MODULATOR AMPLIFIER	
CHECKED		SIZE	REV.
ISSUED		A	-
		FSCM NO.	DWG NO.
		OZXXZ8	100-6518
		SCALE	SHEET
		N:S	2 of 3

DESCRIPTION:

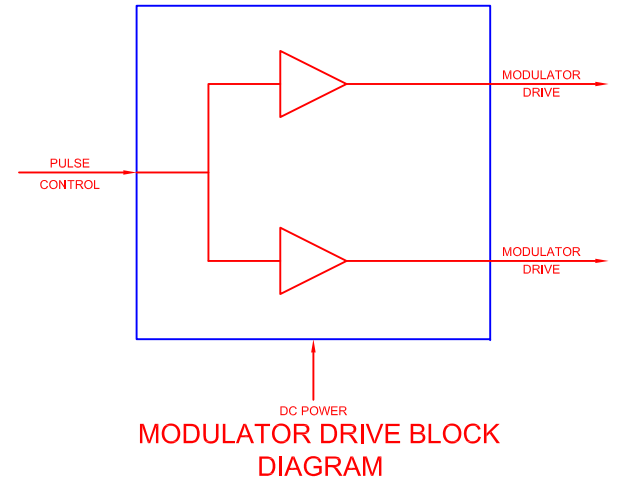
PMI MODEL PMA-218-LSP IS A MODULATOR AMPLIFIER CAPABLE OF AMPLITUDE MODULATION, LEVEL CONTROL AND PULSE MODULATION FOR AN RF STIMULUS PATH THAT WORKS FROM 0.5 TO 2.0 GHz AND 2.0 TO 18.0 GHz.

REVISIONS				
ZONE	REV.	DESCRIPTION	DATE	APPROVED
	-	ORIGINAL RELEASE, JOB#P20620E	2/6/09	
		CUSTOMER - BAE SYSTEMS, NH		

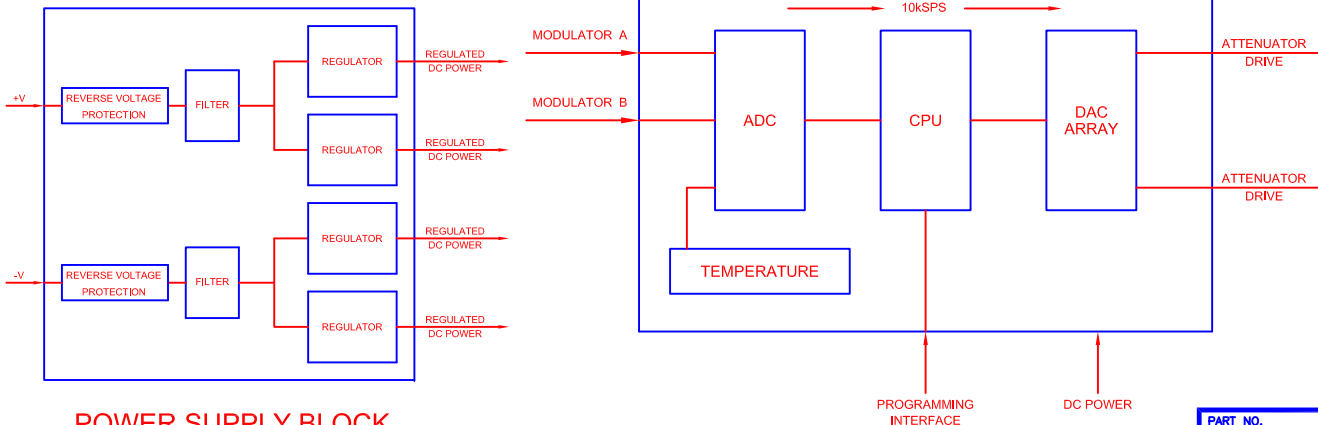
FUNCTIONAL BLOCK DIAGRAMS



RF BLOCK DIAGRAM

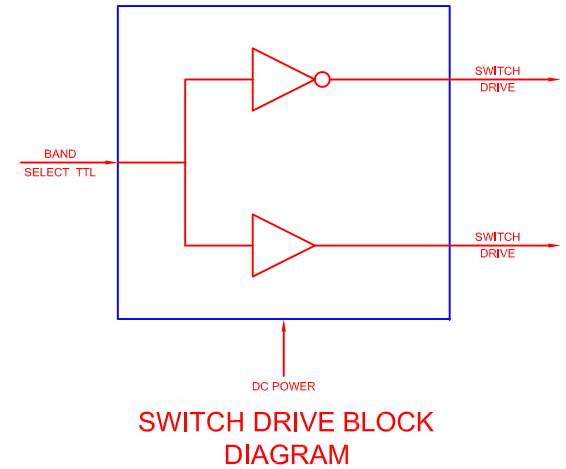


MODULATOR DRIVE BLOCK DIAGRAM



POWER SUPPLY BLOCK DIAGRAM

ATTENUATOR BLOCK DIAGRAM




SWITCH DRIVE BLOCK DIAGRAM

CONFIDENTIAL AND PROPRIETARY

NOTE: THE ABOVE SPECIFICATIONS ARE SUBJECT TO CHANGE OR REVISION.

ALL DIMENSIONS ARE IN INCHES
TOLERANCES:
X.XX ±0.010
X.XXX ±0.005

PART NO.		 PLANAR MONOLITHICS INDUSTRIES FREDERICK, MARYLAND	
APPROVALS	DATE	TITLE	
DRAWN <i>KHAF PAU</i>	2/6/09	PRODUCT FEATURE PMA-218-LSP MODULATOR AMPLIFIER	
CHECKED		SIZE	FSCM NO.
ISSUED		A	0ZXZ8
		DWG NO.	100-6518
		REV.	-
SCALE N:S		SHEET 3 of 3	