

DESCRIPTION

PMI MODEL: PLNA-30-0R5G8G-P1dB13-115VAC IS A PORTABLE AMPLIFIER THAT OPERATES OVER THE 0.5 TO 8.0 GHz FREQUENCY RANGE. THIS MODEL PROVIDE A TYPICAL GAIN OF 30 dB WITH AN OUTPUT P1dB OF +13 dBm. THIS AMPLIFIER FEATURES AN ILLUMINATED PUSH BUTTON ON/OFF SWITCH IN A SMALL PACKAGE.

SPECIFICATIONS

- FREQUENCY RANGE: ----- 0.5 TO 8.0 GHz
- GAIN: ----- 30 dB TYPICAL
- GAIN FLATNESS: ----- ±1.0 dB MAXIMUM
- NOISE FIGURE: ----- 4.5 dB TYPICAL
- OP1dB: ----- +13 dBm MINIMUM
- VSWR (IN/OUT): ----- 2.0:1 MAXIMUM
- RF CONNECTORS (IN/OUT): ----- N-TYPE FEMALE
- AC VOLTAGE SUPPLY: ----- 115 VAC
- AC CONNECTOR: ----- 3 PIN IEC
- ON/OFF SWITCH: ----- VANDAL SWITCH ILLUMINATED
- SIZE: ----- (L) 3.00" X (W) 3.00" X (H) 1.75"
- FINISH: ----- BLUE EPOXY POLIMIDE COATING
IAW MIL-C-22750, TYPE I OVER
EPOXY POLIMIDE PRIMER IAW
MIL-P-23377, TYPE I, CLASS 1 OR 3

ENVIRONMENTAL RATINGS

- TEMPERATURE: ----- -20 °C TO +55 °C (OPERATING)

NOTE: SPECIFICATIONS WILL VARY OVER OPERATING TEMPERATURE

NOTE: THE ABOVE SPECIFICATIONS ARE SUBJECT TO CHANGE OR REVISION

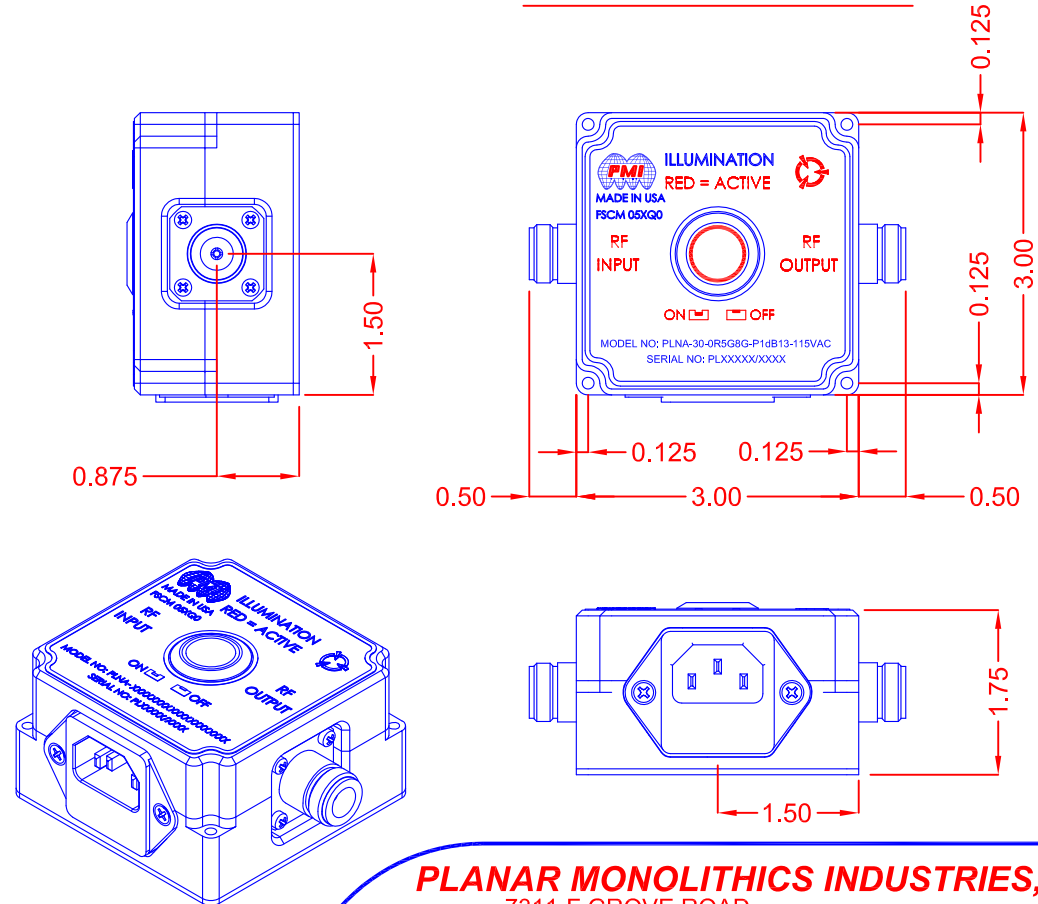
ALL DIMENSIONS
ARE IN INCHES (mm)
TOLERANCES:
X.XX ±0.020
X.XXX ±0.010

PMI CONFIDENTIAL AND PROPRIETARY

REVISIONS

ZONE	REV.	DESCRIPTION	DATE	APPROVED
	-	PRELIMINARY	11/02/15	SP

MECHANICAL OUTLINE



PLANAR MONOLITHICS INDUSTRIES, INC.
7311-F GROVE ROAD
FREDERICK, MARYLAND 21704 USA
TEL: (301)-662-5019, FAX: (301)-662-1731
WEB: www.pmi-rf.com, EMAIL: sales@pmi-rf.com
ISO 9001 CERTIFIED

APPROVALS		DATE	TITLE			
DRAWN <i>M. Berry</i>		11/02/15	PRODUCT FEATURE PLNA-30-0R5G8G-P1dB13-115VAC			
CHECKED			SIZE	FSCM NO.	DWG NO.	REV.
ISSUED			A	05XQ0	PRELIMINARY	-
			SCALE	SHEET		1 OF 1
			N:S			