

DESCRIPTION:

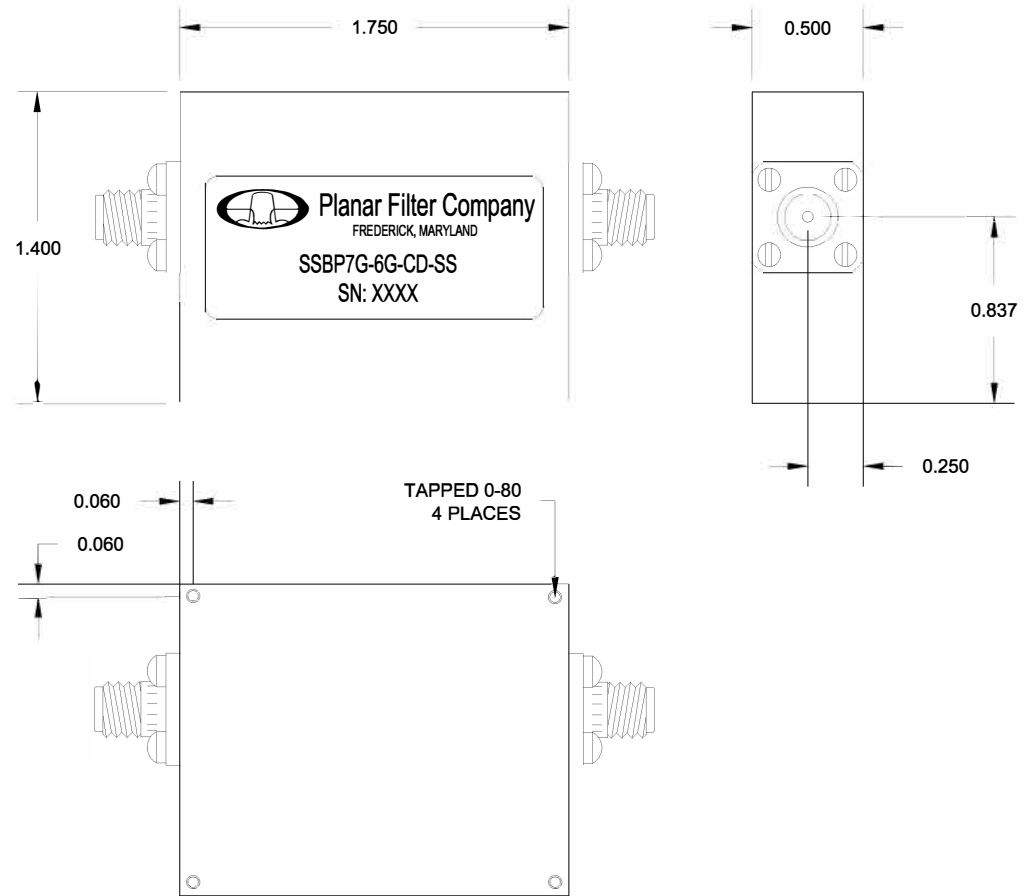
PFC model number SSBP7G-6G-CD-SS is a Suspended Substrate filter with SMA female connectors in and out. All filters will be machined and silver plated to provide the highest possible Q.

REVISIONS				
ZONE	REV.	DESCRIPTION	DATE	APPROVED
	-	ORIGINAL RELEASE	8/12/00	

SPECIFICATIONS:

- CENTER FREQUENCY: 7 GHz
- 1dB BANDWIDTH: 4.0 TO 10.0 GHz
- VSWR IN THE PASS BAND: 1.5:1 MAX.
- INSERTION LOSS (PASSBAND) <= 1 dB MAX.
- REJECTION FROM 2 TO 3 GHz: -40 dB
- REJECTION FROM 12 TO 19 GHz: -40 dB

- CONNECTORS: SMA FEMALE CONNECTORS
- SIZE: 1.75" (L) x 1.40" (W) x 0.50" (H)
- WEIGHT: 1 OZ. TYP.



ENVIRONMENTAL RATINGS:

- TEMPERATURE: -55°C TO +85°C (OPERATING)
-65°C TO +125°C (STORAGE)
- HUMIDITY: MIL-STD-202F, METHOD 103B COND. B
- SHOCK: MIL-STD-202F, METHOD 213B COND. B
- VIBRATION: MIL-STD-202F, METHOD 204D COND. B
- ALTITUDE: MIL-STD-202F, METHOD 105C COND. B
- SALT FOG: MIL-STD-202F, METHOD 107D COND. A
- FUNGUS: MIL-STD-810C, METHOD 508.2
- TEMPERATURE CYCLE: MIL-STD-202F, METHOD 107

ALL DIMENSIONS ARE IN INCHES
TOLERANCES:
X.XX ±0.010
X.XXX ±0.005

NOTE: THE ABOVE SPECIFICATIONS ARE SUBJECT TO CHANGE OR REVISION

PART NO. 155-0515		Planar Filter Company 7311G Grove Road, Fredrick, Maryland	
APPROVALS	DATE	TITLE	
DRAWN S. PALACIO	8/12/00	OUTLINE DRAWING SSBP7G-6G-CD-SS	
CHECKED		SIZE	FSCM NO.
ISSUED		A	1QJWO
		DWG NO.	155-0515
		SCALE	1/1
		SHEET	1 OF 1