

DESCRIPTION

PMI MODEL NO.: DLVA-7M-80-SFF IS A LOW FREQUENCY DETECTOR LOG VIDEO AMPLIFIER CENTERED AT 7 MHz. THE BANDWIDTH IS 3 MHz MINIMUM WITH A TYPICAL LOGGING RANGE FROM -80 dBm TO 0 dBm. OUTPUT SENSITIVITY IS TYPICALLY 25 mV / dB.

SPECIFICATIONS

- CENTER FREQUENCY: 7 MHz
- BANDWIDTH: 3 MHz MIN.
- RISE TIME: 0.5 μ S MAX
- DYNAMIC RANGE: 70 dB MIN., 80 dB TYP.
- LOGGING RANGE: -80 TO 0 dBm
- LOG LINEARITY: ± 1.0 dB MAX
- SENSITIVITY: 25 mV / dB TYP.

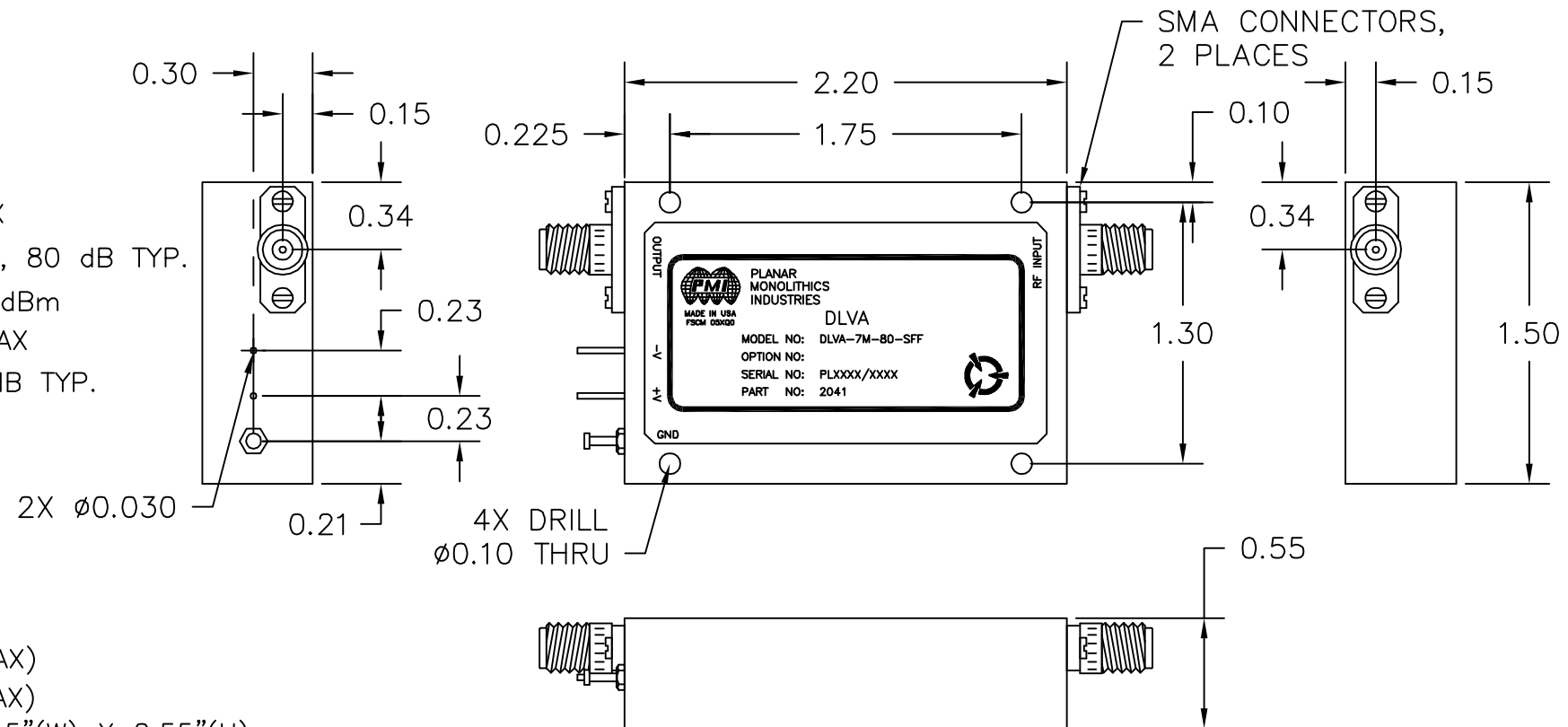
- SOURCE IMPEDANCE: 50 OHMS
- VIDEO LOAD IMPEDANCE: 93 OHMS

- DC POWER +15V (NO LOAD) TBD mA (MAX)
- DC POWER -15V (NO LOAD) TBD mA (MAX)
- SIZE: 2.2"(L) X 1.5"(W) X 0.55"(H)
- FINISH: 50 μ in. GOLD PLATING MIN. OVER COPPER FLASH OVER NICKEL FLASH PER MIL-G 45204 TYPE 2

ENVIRONMENTAL RATINGS

- **TEMPERATURE:** -55°C TO +85°C (OPERATING)
-65°C TO +125°C (STORAGE)
- **TEMPERATURE CYCLE:** MIL-STD-202F, METHOD 107D COND. A

NOTE: SPECIFICATIONS WILL VARY OVER OPERATING TEMPERATURE
NOTE: THE ABOVE SPECIFICATIONS ARE SUBJECT TO CHANGE OR REVISION



ALL DIMENSIONS ARE IN INCHES
TOLERANCES:
X.XX ± 0.020
X.XXX ± 0.010

REVISIONS				
ZONE	REV.	DESCRIPTION	DATE	APPROVED
	A	ORIGINAL RELEASE	6/1/09	

PLANAR MONOLITHICS INDUSTRIES, INC.

7311-F GROVE ROAD
FREDERICK, MARYLAND 21704 USA
TEL: 301-662-5019 FAX: 301-662-1731
WEBSITE: www.pmi-rf.com
E-MAIL: sales@pmi-rf.com
ISO 9001:2000 CERTIFIED



APPROVALS		DATE	TITLE		
DRAWN <i>DPD</i>		6/1/09	PRODUCT FEATURE DLVA-7M-80-SFF DETECTOR LOG VIDEO AMPLIFIER		
CHECKED			SIZE A	FSCM NO. 05XQ0	DWG NO. 27010821
ISSUED			SCALE N:S		REV. A
					SHEET 1 OF 2