

**DESCRIPTION:**

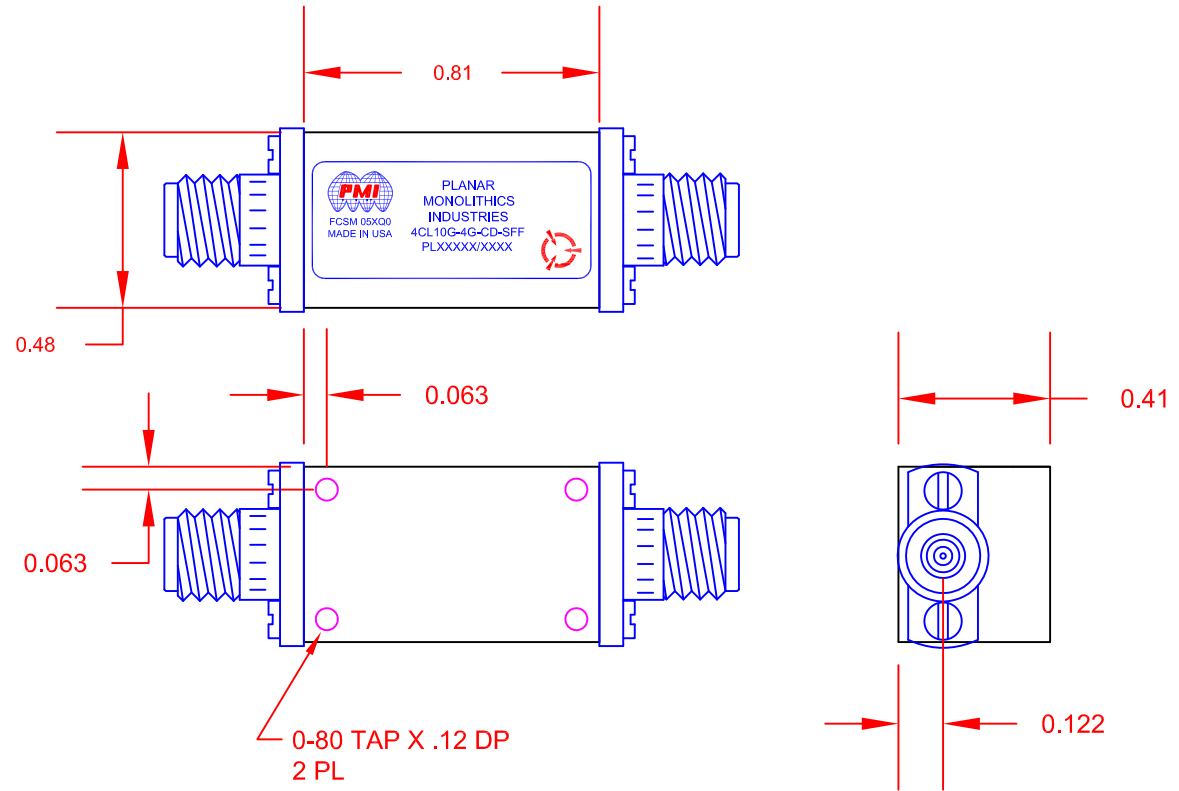
PMI model number 4CL10G-4G-CD-SFF is a Combline filter with SMA female connectors in and out. All filters will be machined and silver plated to provide the highest possible Q.

REVISIONS				
ZONE	REV.	DESCRIPTION	DATE	APPROVED
	1	ORIGINAL RELEASE	8/31/15	
	A1	ECN #15-0160	11/23/15	

**SPECIFICATIONS:**

- CENTER FREQUENCY: . . . . . 10000 MHz
- PASSBAND . . . . . 4000 MHz
- VSWR IN THE PASS BAND: . . . . . 1.5:1 MAX.
- INSERTION LOSS (PASSBAND) . . . . . <= 1 dB MAX.
- RESPONSE . . . . . 4 POLE CHEBYSHEV
- IMPEDANCE . . . . . 50 OHMS
- CONNECTORS: . . . . . SMA-FEMALE
- SIZE . . . . . .805" (L) x .478" (W) x .413" (H)
- WEIGHT . . . . . .1 OZ. TYP.
- FINISH . . . . . PAINTED BLUE

**MECHANICAL OUTLINE**



**PMI CONFIDENTIAL AND PROPRIETARY**

**ENVIRONMENTAL RATINGS:**

- TEMPERATURE: . . . . . -55°C TO +85°C (OPERATING)  
-65°C TO +125°C (STORAGE)
- HUMIDITY: . . . . . MIL-STD-202F, METHOD 103B COND. B
- SHOCK: . . . . . MIL-STD-202F, METHOD 213B COND. B
- VIBRATION: . . . . . MIL-STD-202F, METHOD 204D COND. B
- ALTITUDE: . . . . . MIL-STD-202F, METHOD 105C COND. B
- SALT FOG: . . . . . MIL-STD-202F, METHOD 107D COND. A
- FUNGUS: . . . . . MIL-STD-810C, METHOD 508.2
- TEMPERATURE CYCLE: . . . . . MIL-STD-202F, METHOD 107

NOTE: SPECIFICATIONS WILL VARY OVER OPERATING TEMPERATURE  
NOTE: THE ABOVE SPECIFICATIONS ARE SUBJECT TO CHANGE OR REVISION

ALL DIMENSIONS ARE IN INCHES  
TOLERANCES:  
X.XX ±0.020  
X.XXX ±0.010

**PLANAR MONOLITHICS INDUSTRIES, INC.**  
7311-F GROVE ROAD  
FREDERICK, MARYLAND 21704 USA  
TEL: (301)-662-5019, FAX: (301)-662-1731  
WEB: www.pmi-rf.com, EMAIL: sales@pmi-rf.com  
ISO 9001 CERTIFIED



APPROVALS		DATE	TITLE		
DRAWN		8/31/15	PRODUCT FEATURE 4CL10G-4G-CD-SFF		
CHECKED			SIZE	FSCM NO.	DWG NO.
ISSUED			A	05XQ0	27025261
			SCALE	N:S	SHEET 1 OF 1